

SPARE PARTS

Air suspension GL70 spring width 70 Bellow Ø300
NKLRT 50.39/9.1 Ride height 250-310 VS45

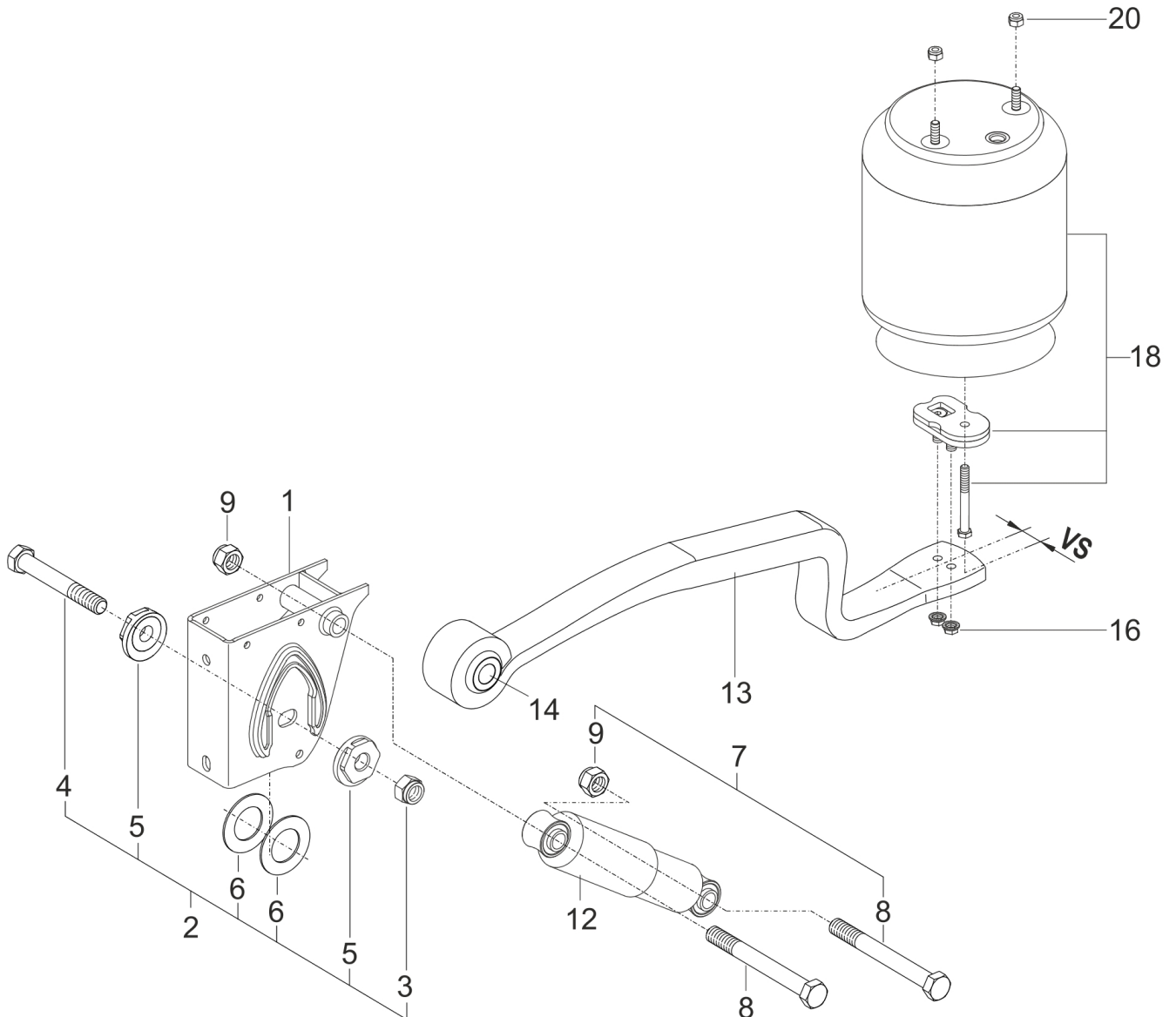
NKLRT 50 9t GL70 250

Version: 11/2015

Edition: 24/01/2017

ELU0066

Page: 1 (2)



SPARE PARTS

Air suspension GL70 spring width 70 Bellow Ø300 NKLRT 50.39/9.1 Ride height 250-310 VS45			NKLRT 50 9t GL70 250	
Version: 11/2015		Edition: 24/01/2017		ELU0066
Page: 2 (2)				
Item	Part-No.	Qty.	Description	Dimension
			NKLRT 50.39/9.1 GL70 VS=45 / 703011110	
1	700249845	2	Air suspension bracket with eccentric support T 80/30 GL70 / Welded part	
2	716000077	2	Kit spring bolt M24 with locknut, eccentric bushes and washers	
3	700012407	2	Locknut	M24/ DIN 980-10
4	700012417	2	Screw	M24x170
5	700149026	4	Eccentric bush	Ø24,5xØ74/20
6	700196079	4	Wear plate	Ø90xØ52/3
7	700165305	4	Screw M24x220 with locknut	
8	710500240	4	Screw	M24x220
9	700012407	4	Locknut	M24/ DIN 980-10
12	700196121	2	Shock absorber	D82 L290/425
13	700639130	2	Spring 4,5t NLR 45.1/K128 GL70	
14	700196082	2	Silentblock GL70	
16	700011212	4	Nut with locking teeth	M12
18	703012826	2	Air bellow 3045 with adapter plate	D300 VS45
20	710500119	4	Locknut	M12/ DIN 985