

Air suspension GL70 spring width 70 Bellow Ø300
NKLRM 50.39/9.1 Ride height 330-390 VS45

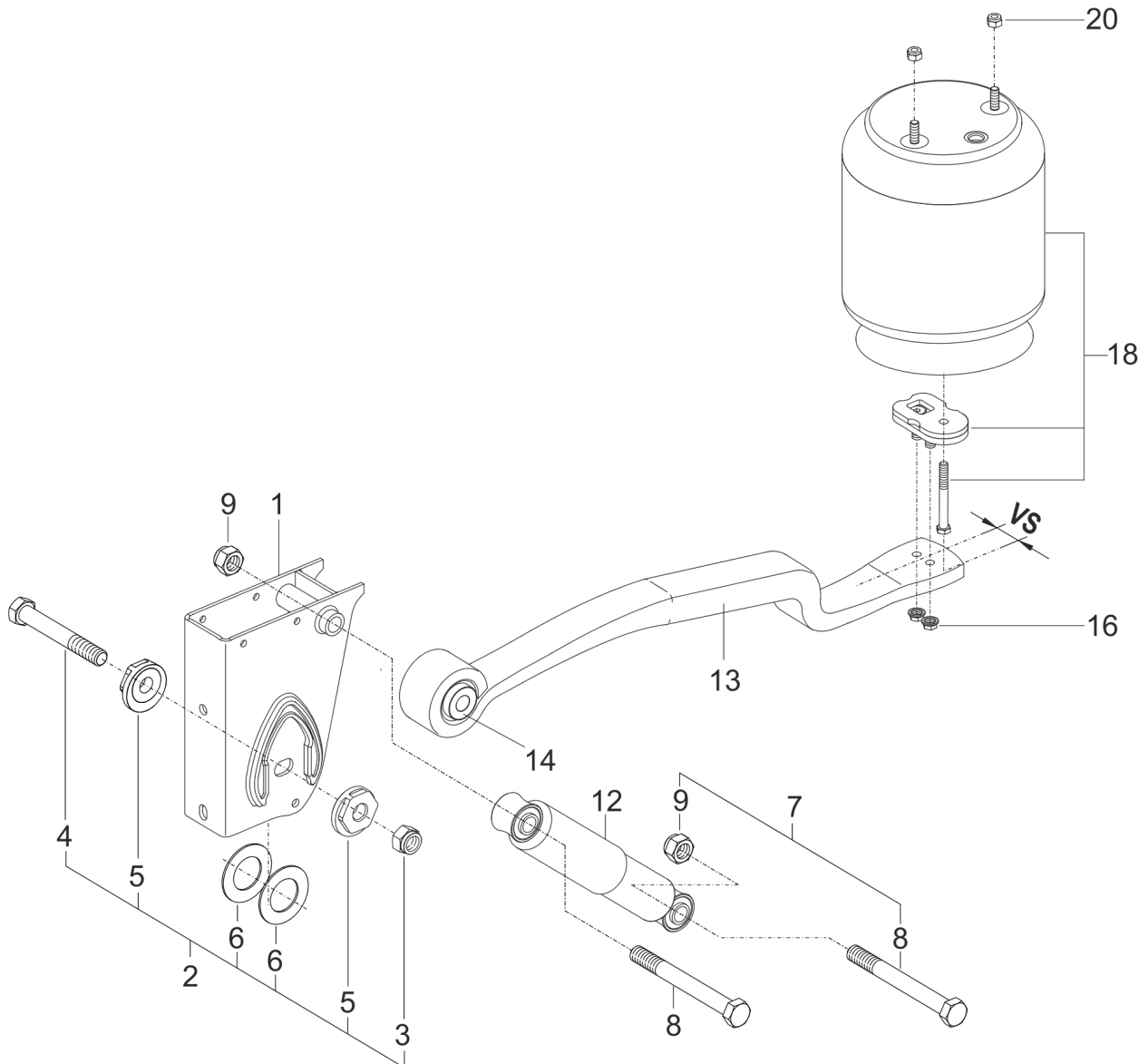
NKLRM 50 9t GL70 330

Version: 09/2016

Edition: 24/01/2017

ELU0065

Page: 1 (2)



Air suspension GL70 spring width 70 Bellow Ø300 NKLRM 50.39/9.1 Ride height 330-390 VS45		NKLRM 50 9t GL70 330	
Version: 09/2016	Edition: 24/01/2017	ELU0065	Page: 2 (2)

Item	Part-No.	Qty.	Description	Dimension
			NKLRM 50.39/9.1 GL70 VS=45 / 703014289	
1	700249846	2	Air suspension bracket with eccentric support M 80/30 GL70 / Welded part	
2	716000077	2	Kit spring bolt GL70 with locknut, eccentric bushes and washers	M24x170
3	700012407	2	Locknut	M24/ DIN 980-10
4	700012417	2	Screw	M24x170
5	700149026	4	Eccentric bush	Ø24x20 / SW60
6	700196079	4	Wear plate	Ø52xØ90/3
7	700165305	4	Kit Shock absorber fixation screw + nut	M24x220
8	710500240	4	Screw	M24x220
9	700012407	4	Locknut	M24/ DIN 980-10
12	700196115	2	Shock absorber	D82 L325/495
13	700639131	2	Spring 4,5t NLR 45.1/K51,5 GL70	
14	700196082	2	Silentblock GL70	
16	700011212	4	Nut with locking teeth	M12
18	703012826	2	Air bellow 3045 with adapter plate Air supply inside	Ø300 VS45
20	710500119	4	Locknut	M12/ DIN 985