

SELF STEERING AXLE 9 t DISK BRAKE Ø377 - ZAO
Ø127 - Offset 0 - 8 Stud M22-Ø275 Drawing: 703027189

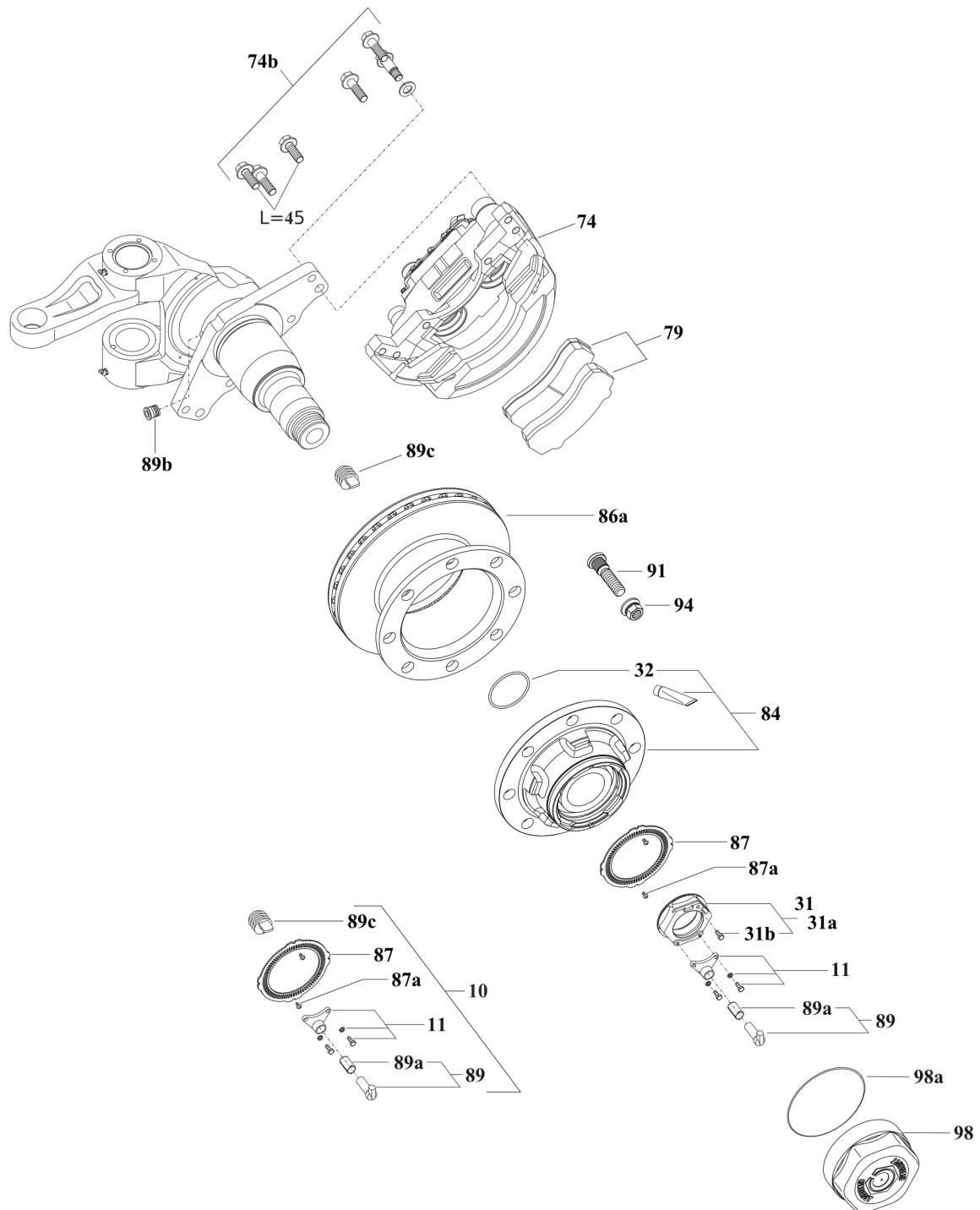
DNKH2 09008
3745K 703027189

Version: 12/2021

Edition: 28/04/2022

EA13280

Page: 1 (5)



SELF STEERING AXLE 9 t DISK BRAKE Ø377 - ZAO
 Ø127 - Offset 0 - 8 Stud M22-Ø275 Drawing: 703027189

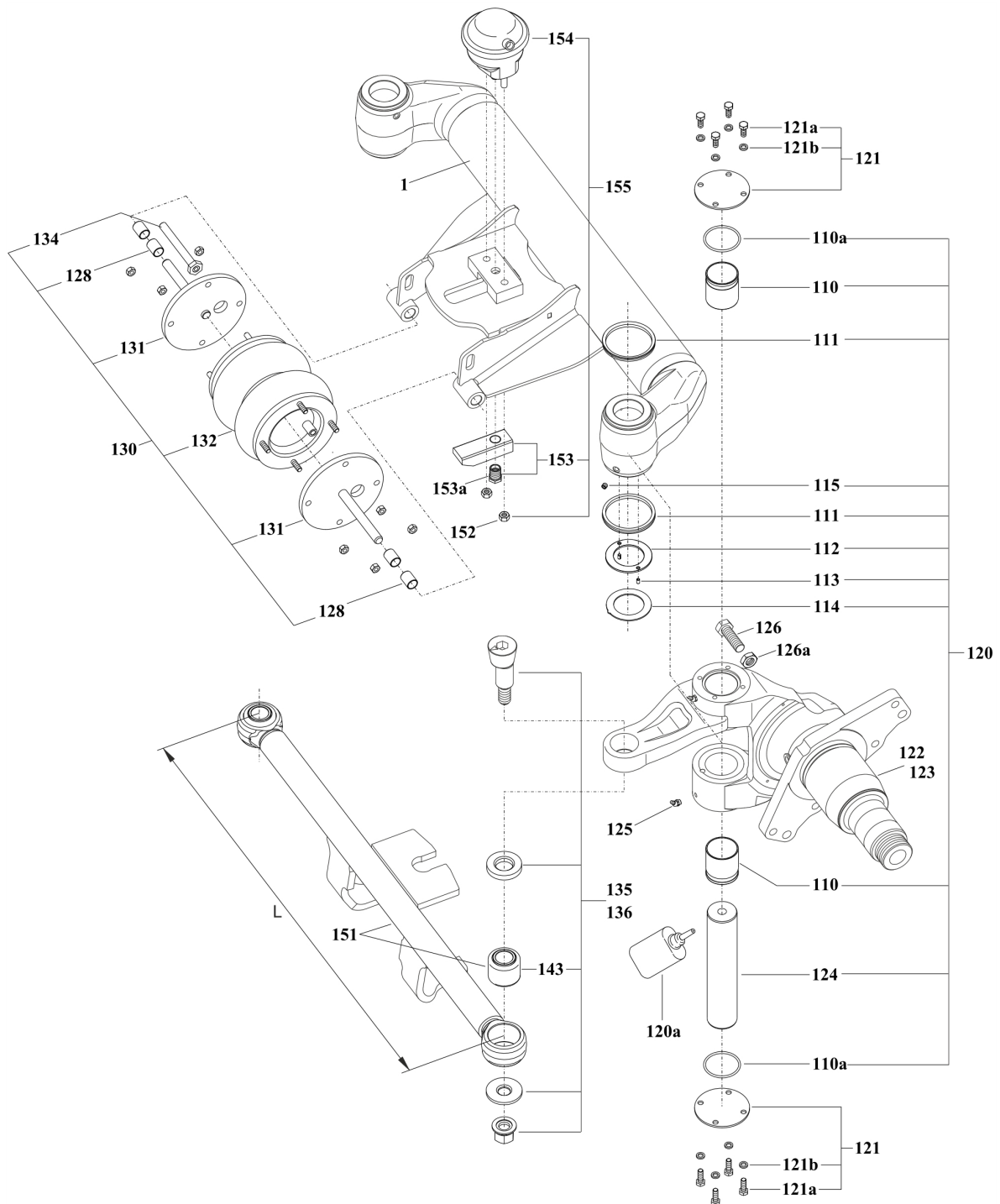
DNKH2 09008
3745K 703027189

Version: 12/2021

Edition: 28/04/2022

EA13280

Page: 2 (5)



SELF STEERING AXLE 9 t DISK BRAKE Ø377 - ZAO Ø127 - Offset 0 - 8 Stud M22-Ø275 Drawing: 703027189		DNKH2 09008 3745K 703027189	
Version: 12/2021	Edition: 28/04/2022	EA13280	Page: 3 (5)

Item	Part-No.	Qty.	Description	Dimension
1			Axle beam according to serie-no. of axle	
10	709714205	1	Kit ABS 80 teeth with sensor LG1000 for offset 0	
11	709317752	2	Kit ABS sensor bracket for offset 0 with screws and washer	
31	709317882	1	Kit spindle nut right with screw	M68x1,5 SW95
31a	709317883	1	Kit spindle nut left with screw	M68x1,5 SW95
31b	701306016	2	Screw	M6x16
32	702500084	2	O-ring	Ø84x4
			DISK BRAKE KNORR 3745	
			B=right / A=left	
74	709285288	1	Brake caliper A without brake pads	SN 6000
74	709285287	1	Brake caliper B without brake pads	SN 6000
	703023172		Ersatzteile - Bremssattel KNORR SB/SN	Guide and gasket set
74b	709317960	2	Kit screw for 1 brake	
79	709317330	1	Kit brake pads	SB / SN 6000
84	709317981	2	Hub complete K2 8 holes 3745 with o-rings parts 32 and 98a	
86a	709267088	2	Brake disk 3745 B=159,5	Ø377 8xØ26,5/275
87	709264049	2	ABS sensor ring 80 teeth Ø128	
87a	701605010	4	Screw	M5x10
89	709714203	2	Kit Inductive sensor ABS with bush and grease LG 1000	
89a	708505035	2	Bush of sensor	
89b	709237017	2	Cap pass cable	Ø22x4,4/23
89c	709404038	2	Cap pass cable	
			for ZAO	
91	709226108	16	Wheel stud	M22x1,5 L=108
94	708606072	16	Spigot wheel nut	M22x1,5 SW32

SELF STEERING AXLE 9 t DISK BRAKE Ø377 - ZAO Ø127 - Offset 0 - 8 Stud M22-Ø275 Drawing: 703027189		DNKH2 09008 3745K 703027189	
Version: 12/2021	Edition: 28/04/2022	EA13280	Page: 4 (5)

Item	Part-No.	Qty.	Description	Dimension
98	709237085	2	Hub cap	M170x2 SW160 / 79
98a	702500160	2	O-ring	Ø160x3
110	709228051	4	Bush	Ø60x65/70
110a	702500037	4	O-ring	Ø66x5,3
111	702505095	4	V-ring VA95	
112	709369053	2	Washer	Ø61,5x93/3,75
113	702402041	4	Spirol pin	Ø6x10
114	709228052	2	Washer	Ø61x90/2,5
115	703020097	4	Hexagon socket screw sealing plug	R1/8
120	709317969	2	Steering knuckle pin repairkit NL / ZL For kingpin mounting adhesive part 120a is necessary! Please observe the repair manual.	
120a	709317938	1	Kit adhesive for kingpin Please observe the date of endurance!	
121	709317977	4	Kit cover with fittings	Ø 110
121a	701310030	16	Screw	M10x30
121b	702804010	16	Spring washer	10
122	703027185	1	Axle spindle end right DNKH2 08 3745K 50° with bushes part 110	
123	703027183	1	Axle spindle end left DNKH2 08 3745K 50° with bushes part 110	
124	709226065	2	Steering knuckle pin NL / ZL For kingpin mounting adhesive part 120a is necessary! Please observe the repair manual.	Ø60x299
125	702411008	4	Grease nipple	M10x1 45°
126	701321061	2	Screw	M20x1,5x60
126a	702205020	2	Nut	M20x1,5
128	709228073	4	Plastic bush	Ø20x23/30
130	709714716	1	Bellow complete	8" x2
131	709281042	2	Guide flange 8"	Ø184x12 / Ø18x156
132	709377001	1	Air bellow	8" x2
134	709226066	1	Stop shaft	Ø15/143 SW27

SELF STEERING AXLE 9 t DISK BRAKE Ø377 - ZAO
Ø127 - Offset 0 - 8 Stud M22-Ø275 Drawing: 703027189

DNKH2 09008
3745K 703027189

Version: 12/2021

Edition: 28/04/2022

EA13280

Page: 5 (5)

Item	Part-No.	Qty.	Description	Dimension
135	709317964	2	Kit excentric bolt with Silentblock	
136	709317965	2	Kit excentric bolt without Silentblock	
143	709376004	2	Silentblock	
151	709231557	1	Direction bar with Silentblocks	L=1040
152	702208011	2	Nut	M12x1,5
153	709317966	1	Kit lock plate with nut	30x40 L=115
153a	709400542	1	Nut	M16 / M22x1,5
154	709317749	1	Locking cylinder	
155	709317967	1	Kit locking cylinder with lock plate	