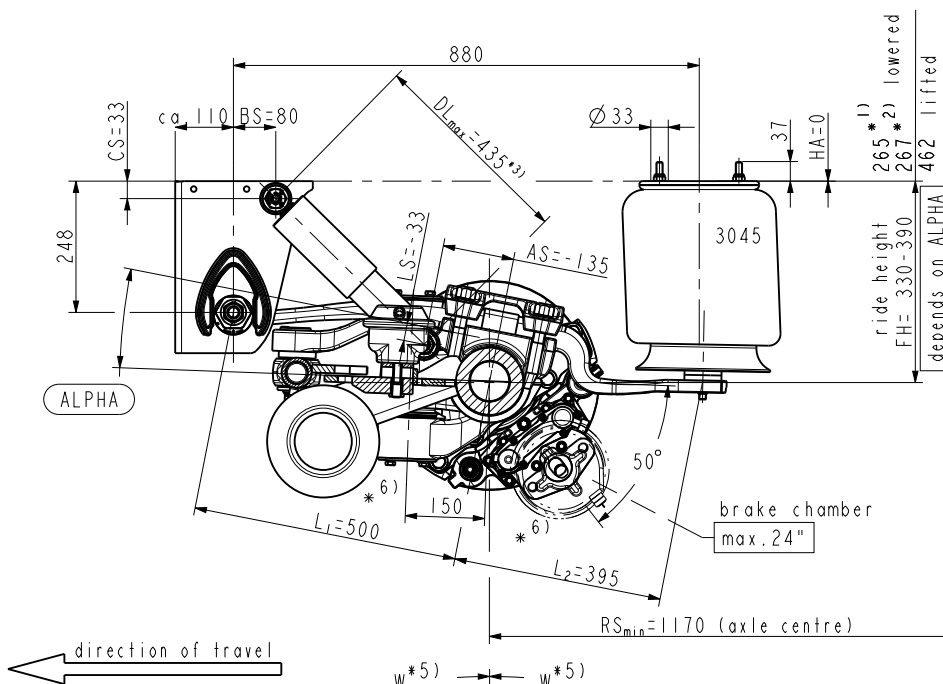
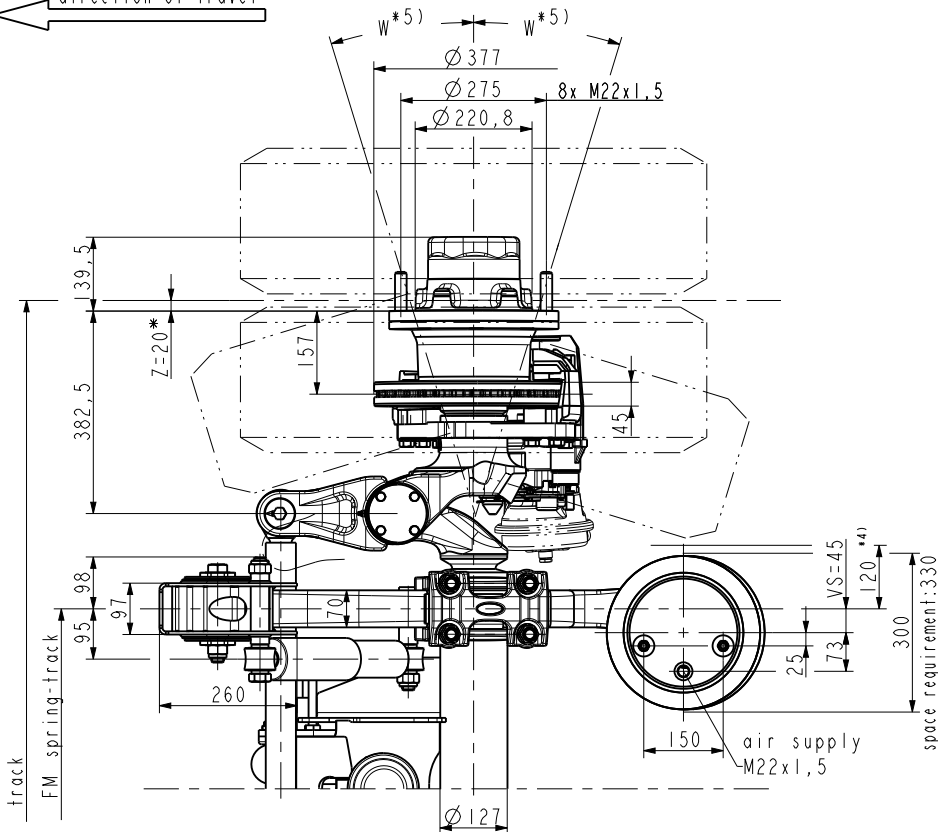


ride height (FH)

DNKH2 090 NKLRM 50.39/9.1 GL70 VS45 330-390



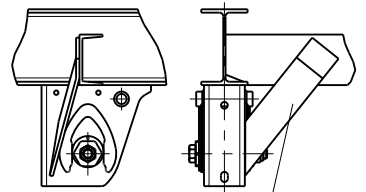
direction of travel



axle load:
max. 9000 kg at 105 km/h
(depend on spring track and centre of gravity height)

- lift in total: 195 mm at FH_{OL}*2)
- * 1) laden, without air
- * 2) unladen, without air
- * 3) Just for raising and lowering (HS) locking valve to be adjusted that air supply is stopped at DL_{max}=435.
- * 4) space requirement
- * 5) Reducing of the steer angle has to be done by the trailer manufacturer
- * 6) Please observe ground clearance

Recommendation side support
Details see Installation Instructions



not part of normal delivery

Test report:
361-080-13 (3745 KNORR)

FH/ ALPHA	track	W	FM	KMAT		weight kg (±2%)	Recommendation for twin mount
					ABS		
365-385/ 9°	1845*	17°	680		793012851	580	265/70 R19,5*
							* on alu rim
							Take care of sufficient tyre load capacity

OBSERVE INSTALLATION INSTRUCTIONS !!!



TRENKAMP & GEHLE GmbH
D-49413 Dinklage

Draw.-no.: 793012849

Index
0