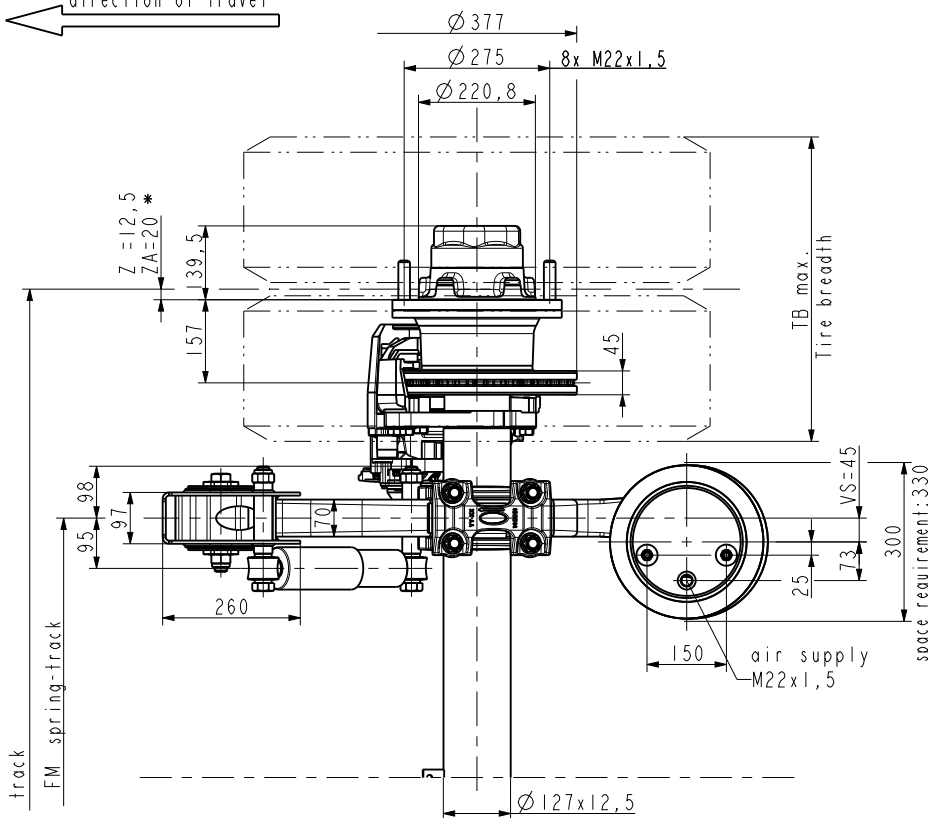
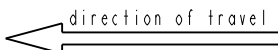
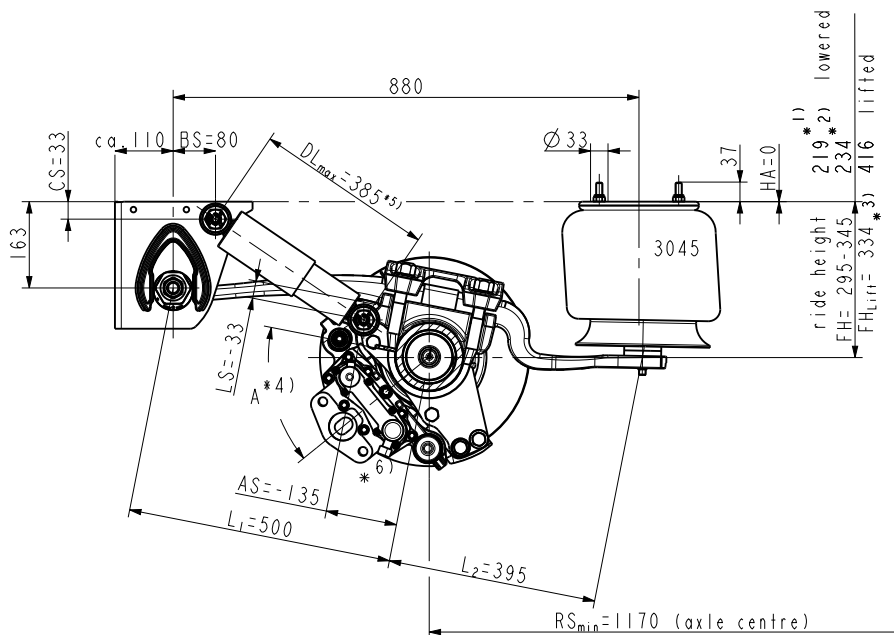


DKH2 090 NKLRT 50.39/9.1 GL70 VS45 ride height (FH)
295-345



axle load:

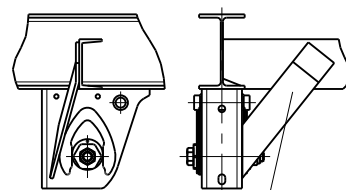
max. 9000 kg at 105 km/h

(depend on spring track and centre of gravity height)

Lift in total: 182 mm at FH_{OL}^{*2)}

- * 1) laden, without air
- * 2) unladen, without air
- * 3) FH_{Lift}=334 mm
minimum acceptable height with axle lift
(theoretical distance Tire-Road = 100mm)
- * 4) -Twinlift No. only for A=50°
- * 5) Just for raising and lowering (HS) locking valve to be adjusted that air supply is stopped at DL_{max}=385.
- * 6) Low ground clearance for brake cylinder with A=50°

Recommendation side support
Details see Installation Instructions



not part of normal delivery

Test report:
361-080-13 (3745 KNORR)

No.	track	A	FM	KMAT		weight kg (±2%)	TB max.	recommendation for twin mount
					ABS			
1	1845*	50°*6)	980		793012939	394	595	265/70 R19,5*

* on alu rim

Take care of sufficient tyre load capacity

OBSERVE INSTALLATION INSTRUCTIONS !!!

gigant

TRENKAMP & GEHLE GmbH
D-49413 Dinklage

Draw.-no.: 793012938 Index
0