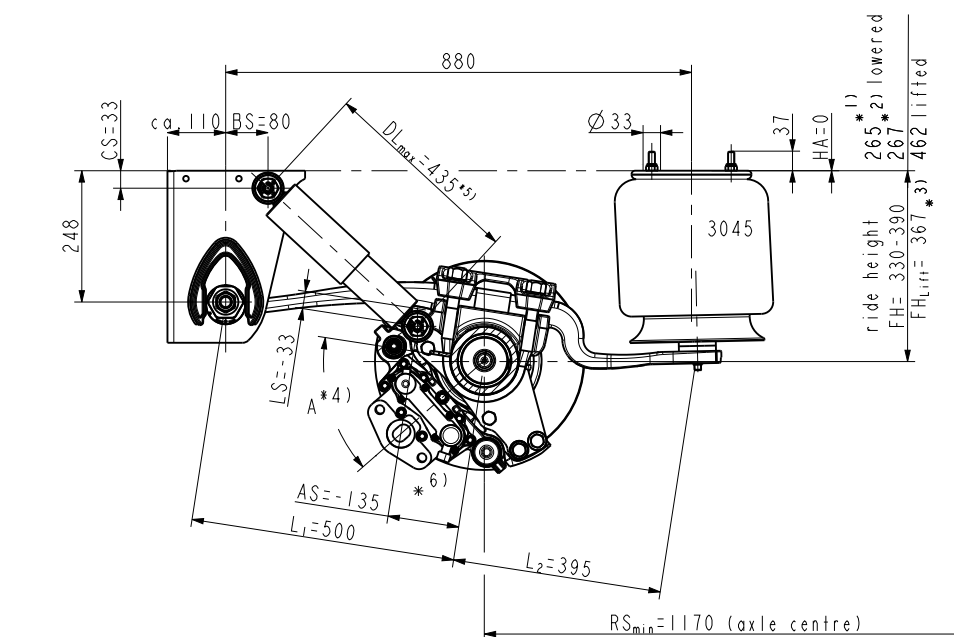
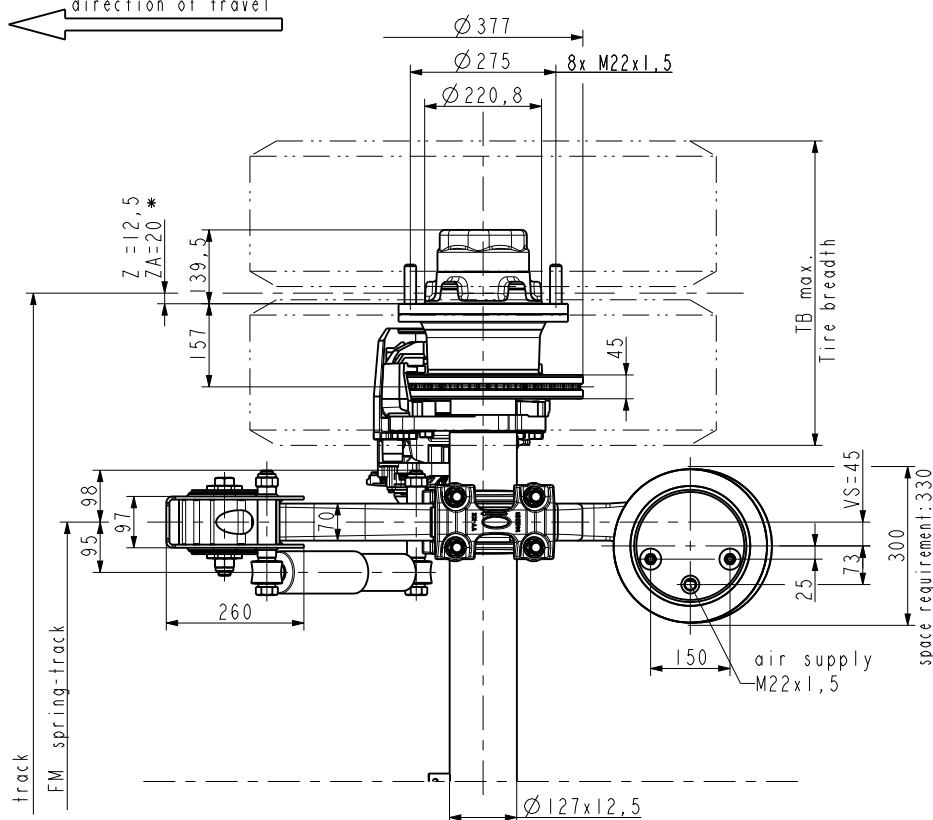


DKH2 090 NKLRM 50.39/9.1 GL70 VS45 ride height (FH) 330-390



← direction of travel



**axle load:**

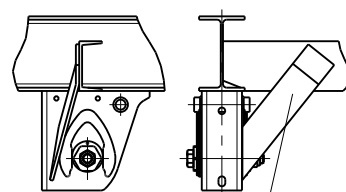
max. 9000 kg at 105 km/h

(depend on spring track and centre of gravity height)

lift in total: 195 mm at FH<sub>OL</sub> \*2)

- \* 1) laden, without air
- \* 2) unladen, without air
- \* 3) FH<sub>Lift</sub>=367 mm  
minimum acceptable height with axle lift  
(theoretical distance Tire-Road = 100mm)
- \* 4) -Twinlift No.  
only for A=50°: 700631370
- \* 5) Just for raising and lowering (HS) locking valve to be adjusted that air supply is stopped at DL<sub>max</sub>=435.
- \* 6) Low ground clearance for brake cylinder with A=50°

**Recommendation side support**  
Details see Installation Instructions



not part of normal delivery

Test report:  
361-080-13 (3745 KNORR)

No.	track	A	FM	KMAT		weight kg (±2%)	TB max.	recommendation for twin mount
					ABS			
1	1845*	50°*6)	980		793012852	400	595	265/70 R19,5*
								* on alu rim
								Take care of sufficient tyre load capacity

**OBSERVE INSTALLATION INSTRUCTIONS !!!**

**gigant**

TRENKAMP & GEHLE GmbH  
D-49413 Dinklage

Draw.-no.: 793012850

Index  
0