

GEKH2 070 TKLRT 43.29/7.1 GL70L VS45 ride height (FH) 180-230

axle load:

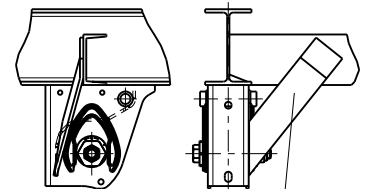
max. 7000 kg at 105 km/h

(depend on spring track and centre of gravity height)

lift in total: 185 mm at FH_{OL} *2)

- * 1) laden, without air
- * 2) unladen, without air
- * 3) FH_{Lift}=217 mm
minimum acceptable height with axle lift
- * 4) Just for raising and lowering (HS) locking valve to be adjusted that air supply is stopped at DL_{max}=345.
- * 5) space requirement
- * 6) e_{min} for brake-cylinder 20" = 290mm
for tristop-cylinder = 315mm

Recommendation side support

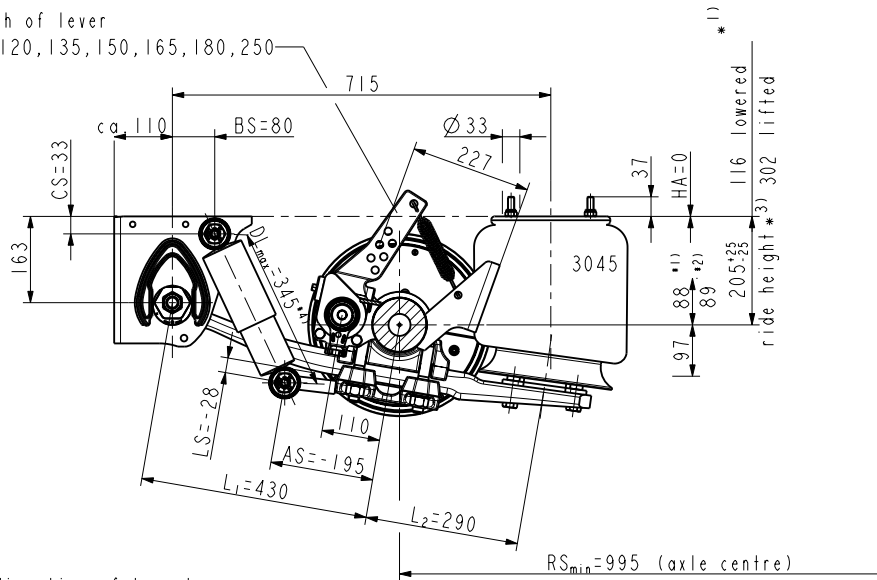


not part of normal delivery

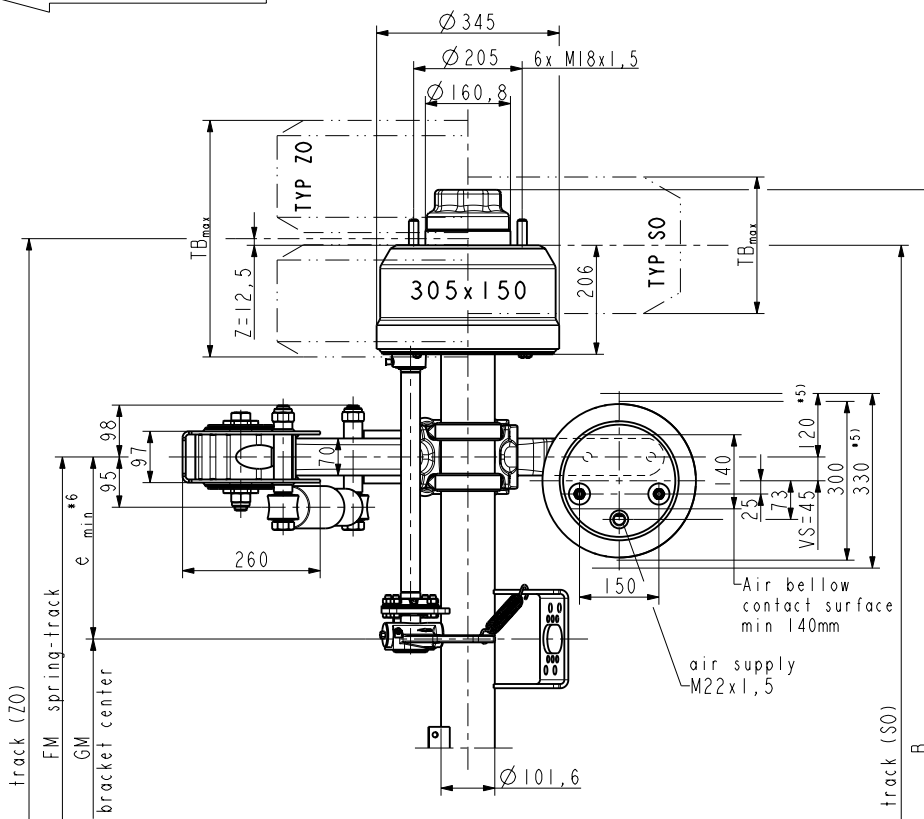
* Take care of sufficient tyre load capacity

Test report: 361-054-10

length of lever
105, 120, 135, 150, 165, 180, 250



direction of travel



track	FM	GM	B	KMAT		weight kg (±2%)	type	recommendation for tyre	TB _{max}
				AGS	ABS+AGS				
1900	1100	412	2110	793010052	793010053	357	SO	245/70 R17,5	530
1925				793010052	793010053		ZO	205/65 R17,5	555
1925	980	311	2135	793010054	793010055	360	SO	245/70 R17,5	625
1950				793010054	793010055		ZO	205/65 R17,5	600
2100	1100	430	2310	793010167	793010168	371	SO	245/70 R17,5	455

OBSERVE INSTALLATION INSTRUCTIONS !!!

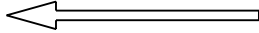
gigant

TRENKAMP & GEHLE GmbH
D-49413 Dinklage

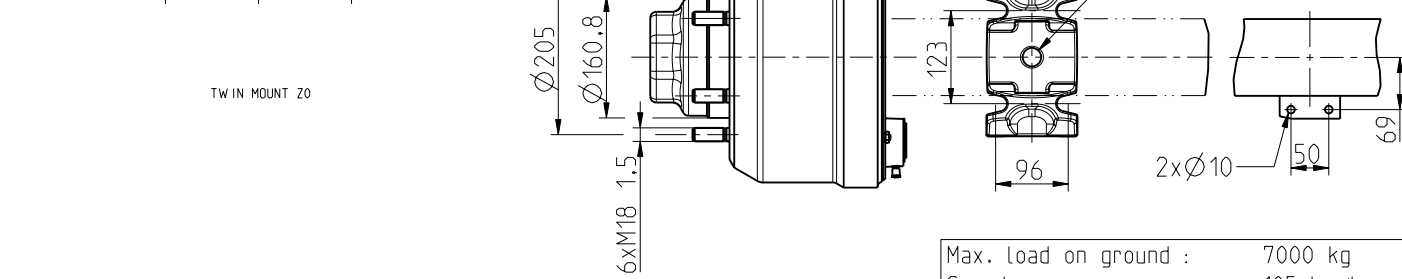
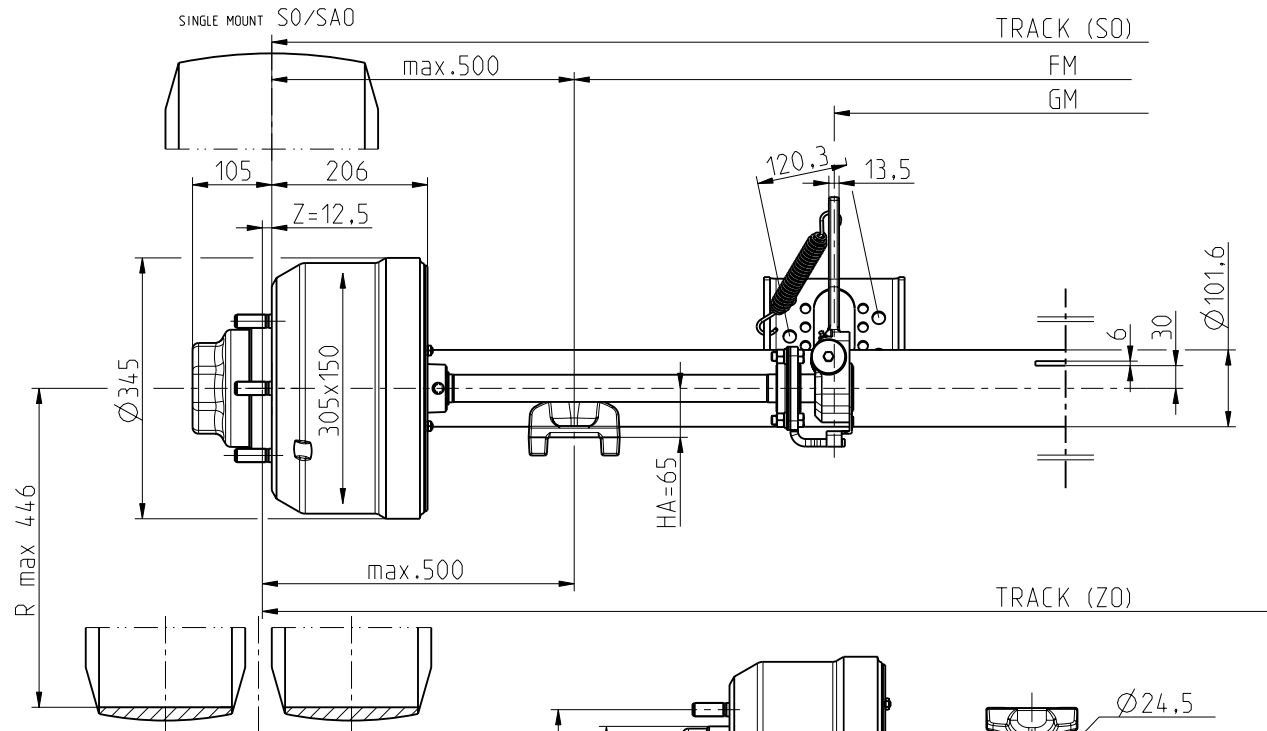
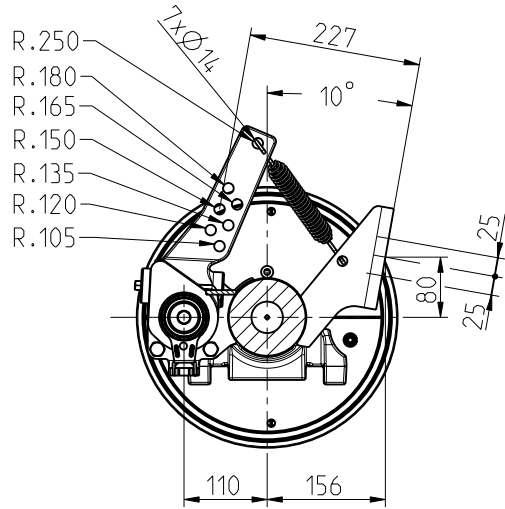
Draw.-no.: 793010051

Index
1

DIRECTION OF TRAVEL



ATTENTION TO THE DIRECTION OF INSTALLATION :



TEST REPORT : 361-054-10
Weight with ABS: +0.4 kg



(I) The capacity of the tyre indicated on the drawing does not correspond to the capacity of the axle. The capacity of the tyre depends on the indications made by the producer of the tyre.

Max. load on ground : 7000 kg
Speed use : 105 km/h
Observation : illust. B24 GL70L

TRACK	FM	GM	EXAMPLES OF TYRES				* WEIGHT	ORDER N°			
			TYP	TYRE	RIM	M		NGS	ABS+NGS	AGS	ABS+AGS
1900	1100	412	SO	245/70 R17.5 (1)	6.75-17.5	234	254 kg			703010462	703010463
1925			ZO	205/65 R17.5 (1)	6.00-17.5						
1925			SO	245/70 R17.5 (1)	6.75-17.5					0464	703010465
2100	1300	612	SO	245/70 R17.5 (1)	6.75-17.						
2100	1400	612	SO	245/70 R17.5 (1)	6.75-17.5		265 kg			703012157	703012158

GEKH2 07006 B24



TRENKAMP & GEHLE GmbH
D-49413 Dinklage

110.088-4 Index 3 Blatt/Page 1/1