

SPARE PARTS

Air suspension GL70L spring width 70 Bellow Ø300
TKLRO 43.29/7.1 Ride height 225-300 VS20/45

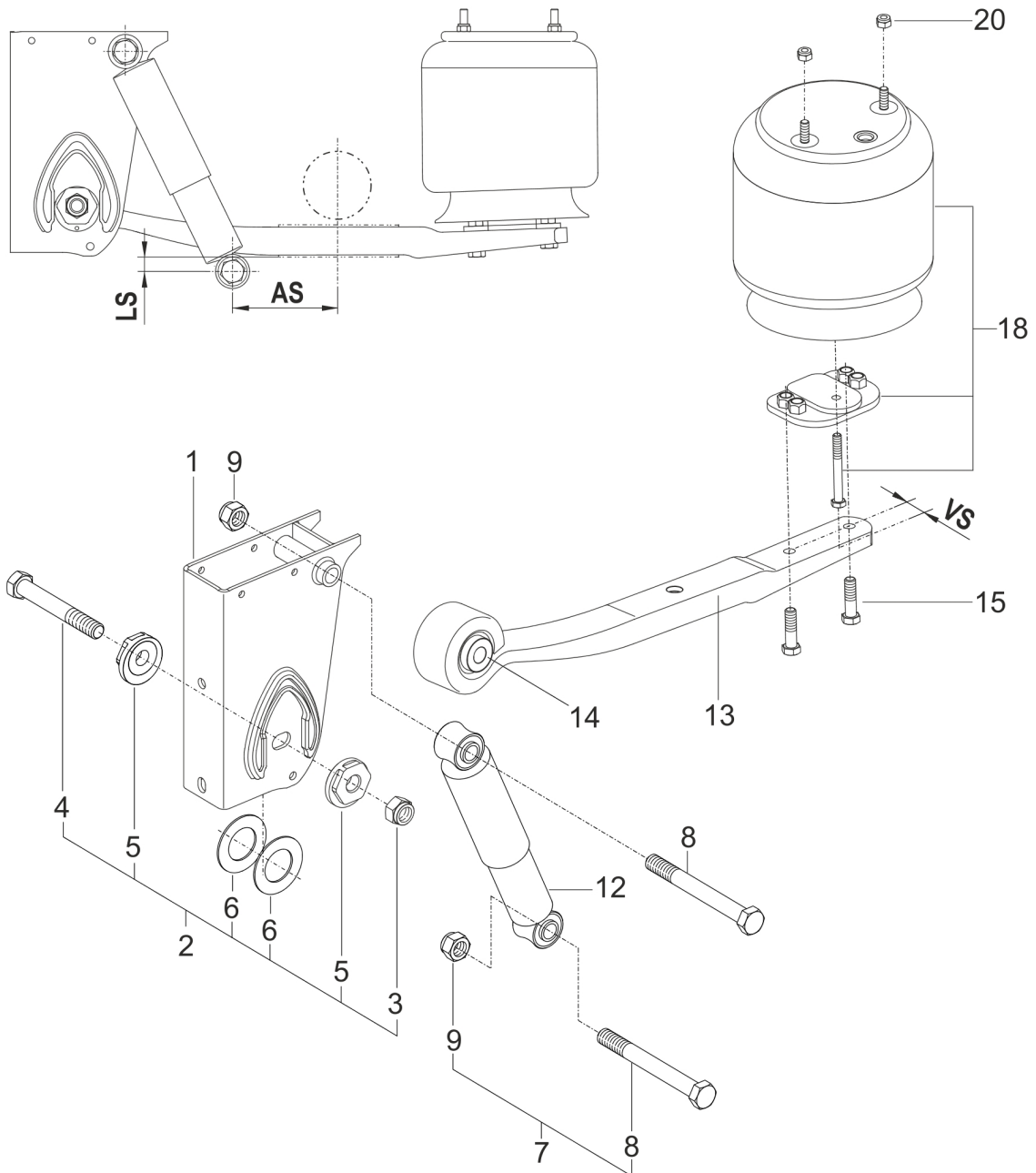
TKLRO 43 7t GL70L 225

Version: 01/2015

Edition: 15/12/2016

ELU0050

Page: 1 (2)



SPARE PARTS

Air suspension GL70L spring width 70 Bellow Ø300 TKLRO 43.29/7.1 Ride height 225-300 VS20/45			TKLRO 43 7t GL70L 225	
Version: 01/2015		Edition: 15/12/2016		ELU0050
Page: 2 (2)				
Item	Part-No.	Qty.	Description	Dimension
			TKLRO 43.29/7.1 GL70L VS=20/45 AS=-195 LS=-28 / 700687071	
			TKLRO 43.29/7.1 GL70L VS=20/45 Shock absorber outwards AS=-195 LS=-28 / 700687075	
			TKLRO 43.29/7.1 GL70L VS=20/45 Shock absorber outwards AS=-275 LS=-28 / 700687077	
1	700249847	2	Air suspension bracket with eccentric support O 80/30 GL70 / Welded part	
			TKLRO 43.29/7.1 GL70L VS=20/45 without priming colour AS=-195 LS=-28 / 700635134	
			TKLRO 43.29/7.1 GL70L VS=20/45 without priming colour / Shock absorber outwards AS=-195 LS=-28 / 700635133	
1	702498471	2	Air suspension bracket with eccentric support O 80/30 GL70 / without priming clour	
2	716000077	2	Kit spring bolt M24 with locknut, eccentric bushes and washers	
3	700012407	2	Locknut	M24/ DIN 980-10
4	700012417	2	Screw	M24x170
5	700149026	4	Eccentric bush	Ø24,5xØ74/20
6	700196079	4	Wear plate	Ø90xØ52/3
7	700165305	4	Kit Shock absorber fixation screw + nut	M24x220
8	710500240	4	Screw	M24x220
9	700012407	4	Locknut	M24/ DIN 980-10
			For AS=-195 LS=-28	
12	700196131	2	Shock absorber	D75 L329/504
			For AS=-275 LS=-28	
12	700196119	2	Shock absorber	D75 L290/420
13	700639140	2	Spring TLR/LR 43.29/35.1/K5 GL70L	
14	700196082	2	Silentblock GL70	
15	710500001	4	Screw	M16x60
18	703012824	2	Air bellow 3045 with adapter plate	D300 VS20/45
20	710500119	4	Locknut	M12/ DIN 985