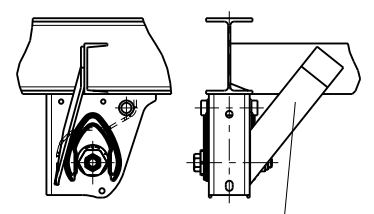


GKH2 055 TKLRT 43.29/7.1 GL70L VS45 180-230 ride height (FH)

axle load:
 max. 5500 kg at 105 km/h
 (depend on spring track and centre of gravity height)

- lift in total: 185 mm at FH_{OL} *2)
- * 1) laden, without air
 - * 2) unladen, without air
 - * 3) FH_{Lift}=217 mm
 minimum acceptable height with axle lift
 - * 4) Just for raising and lowering (HS) locking valve to be adjusted that air supply is stopped at DL_{max} = 345.
 - * 5) space requirement
 - * 6) e_{min} for brake-cylinder 20" = 290mm
 for tristop-cylinder = 315mm

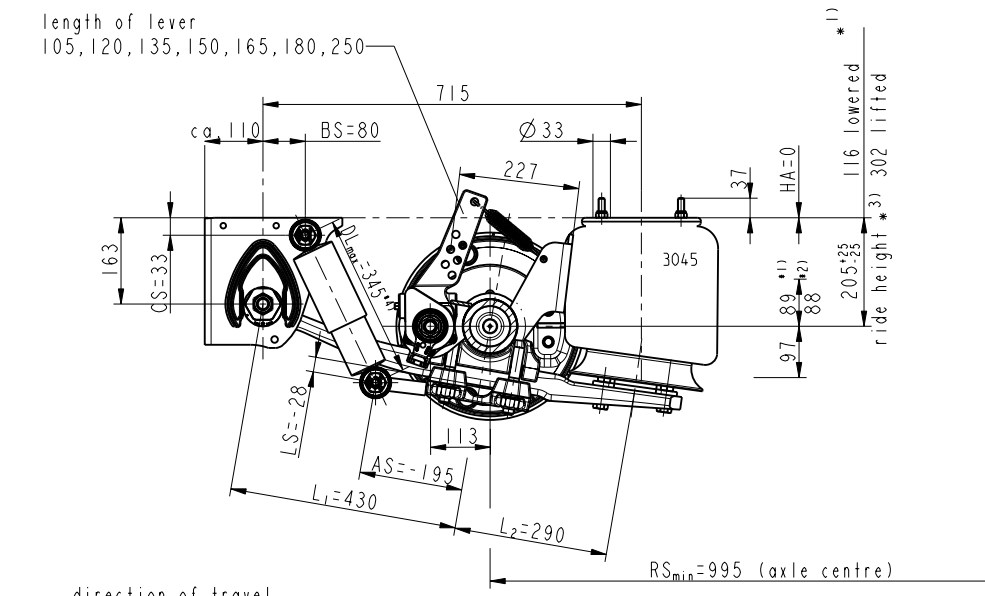
Recommendation side support



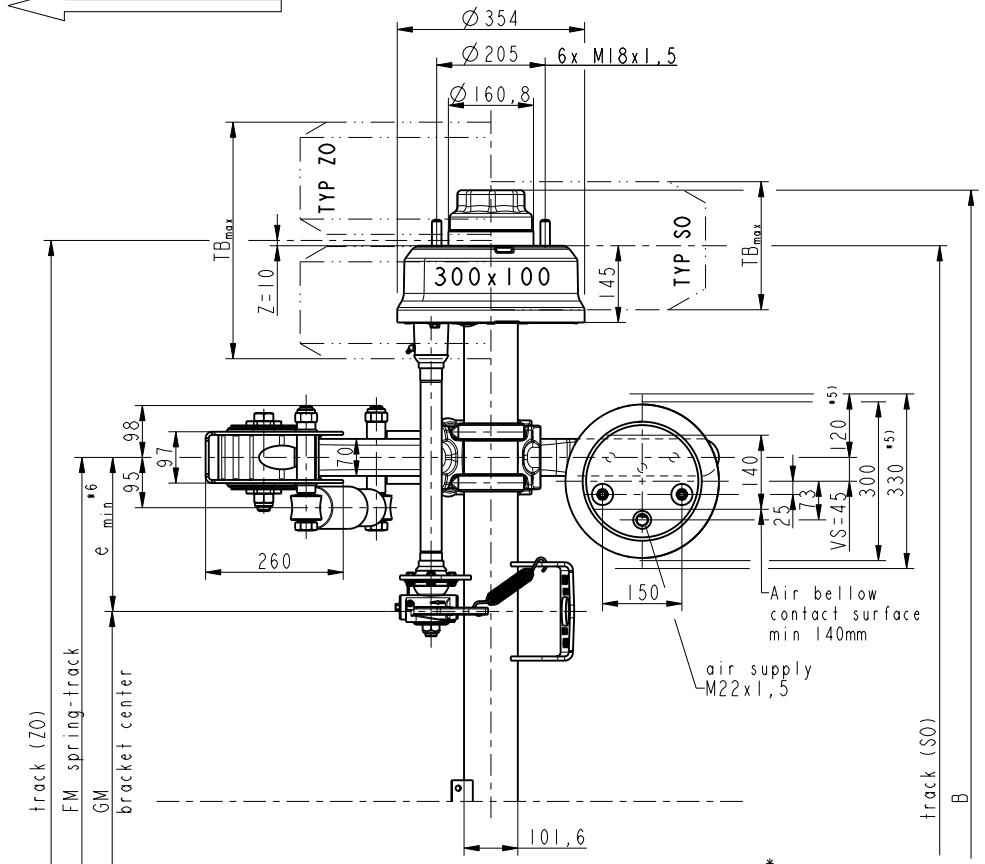
not part of normal delivery

* Take care of sufficient tyre load capacity

Test report: 361-028-07



direction of travel



track	FM	GM	B	order no.		weight kg (±2%)	type	recommendation for tyre	TB _{max}
				AGS	ABS+AGS				
1920	1100	382	2130	8 055 3 294	8 055 3 295	302	SO	235/75 R17,5	550
1940								ZO	
Brackets without priming colour									
2100	1300	718	2310	8 055 3 288	8 055 3 289	306	SO	235/75 R17,5	450

OBSERVE INSTALLATION INSTRUCTIONS !!!

gigant
 TRENKAMP & GEHLE GmbH
 D-49413 Dinklage

Draw.-no.: 73.693-4 Index
1