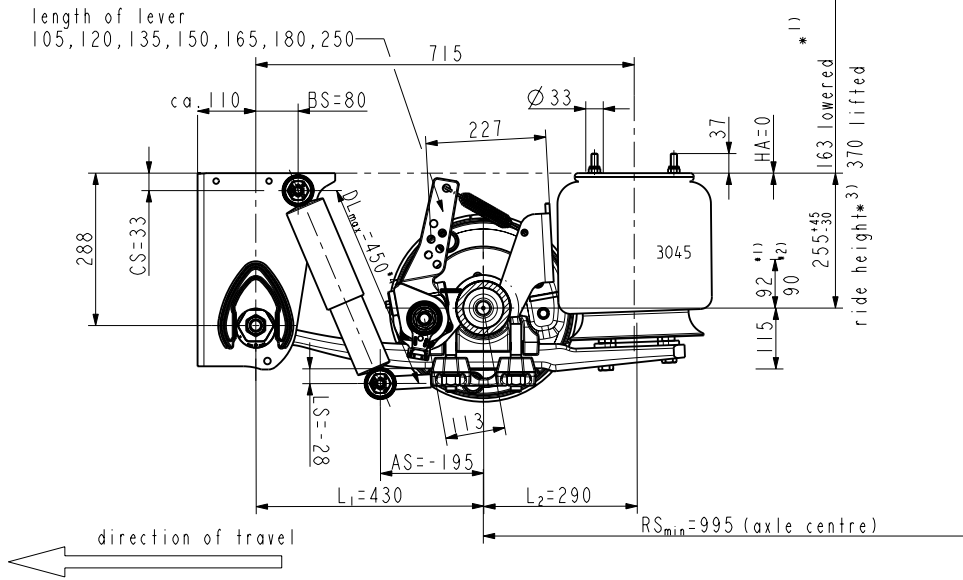


GKH2 055 TKLRO 43.29/7.1 GL70L VS45 ride height (FH) 225-300



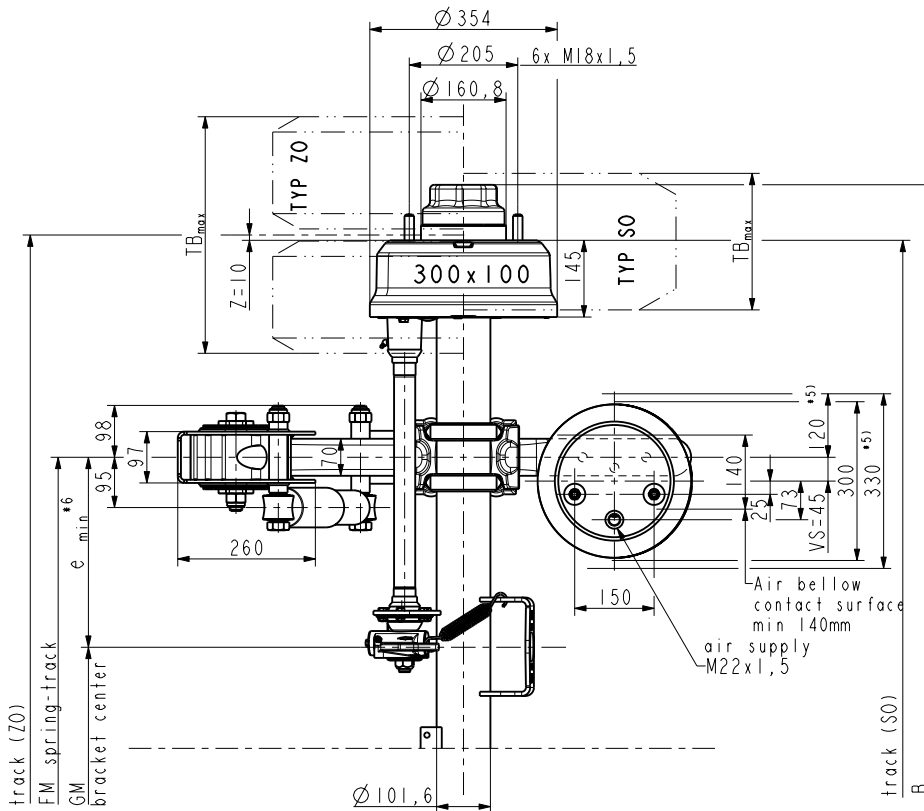
**axle load:**

max. 5500 kg at 105 km/h

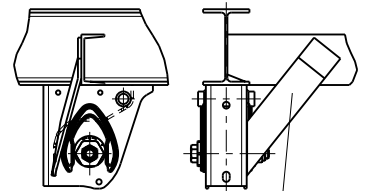
(depend on spring track and centre of gravity height)

lift in total: 205 mm at FH<sub>OL</sub> \*2)

- \* 1) laden, without air
- \* 2) unladen, without air
- \* 3) FH<sub>Lift</sub>=265 mm  
minimum acceptable height with axle lift
- \* 4) Just for raising and lowering (HS) locking valve to be adjusted that air supply is stopped at DL<sub>max</sub>=450.
- \* 5) space requirement
- \* 6) e<sub>min</sub> for brake-cylinder 20" = 290mm  
for tristop-cylinder = 315mm



Recommendation side support



not part of normal delivery

\* Take care of sufficient tyre load capacity

Test report:  
361-028-07

| track | FM   | GM  | B    | KMAT      |              | weight kg (±2%) | type | recommendation for tyre | TB <sub>max</sub> |
|-------|------|-----|------|-----------|--------------|-----------------|------|-------------------------|-------------------|
|       |      |     |      | AGS       | ABS+AGS      |                 |      |                         |                   |
| 1920  | 1100 | 382 | 2130 | 793010066 | 793010067    | 308             | S0   | 235/75 R17,5            | 550               |
| 1940  |      |     |      | Z0        | 205/65 R17,5 |                 | 570  |                         |                   |
| 1920  | 1200 | 382 | 2130 | 793010084 | 793010085    | 308             | S0   | 235/75 R17,5            | 450               |
| 1940  |      |     |      |           |              |                 | Z0   | 205/65 R17,5            | 470               |

**OBSERVE INSTALLATION INSTRUCTIONS !!!**



TRENKAMP & GEHLE GmbH  
D-49413 Dinklage

Draw.-no.: 793010065

Index  
1