

Air suspension GL70 spring width 70 Bellow Ø300
TKLRM 50.38/9.1 Ride height 205-265 VS20/45

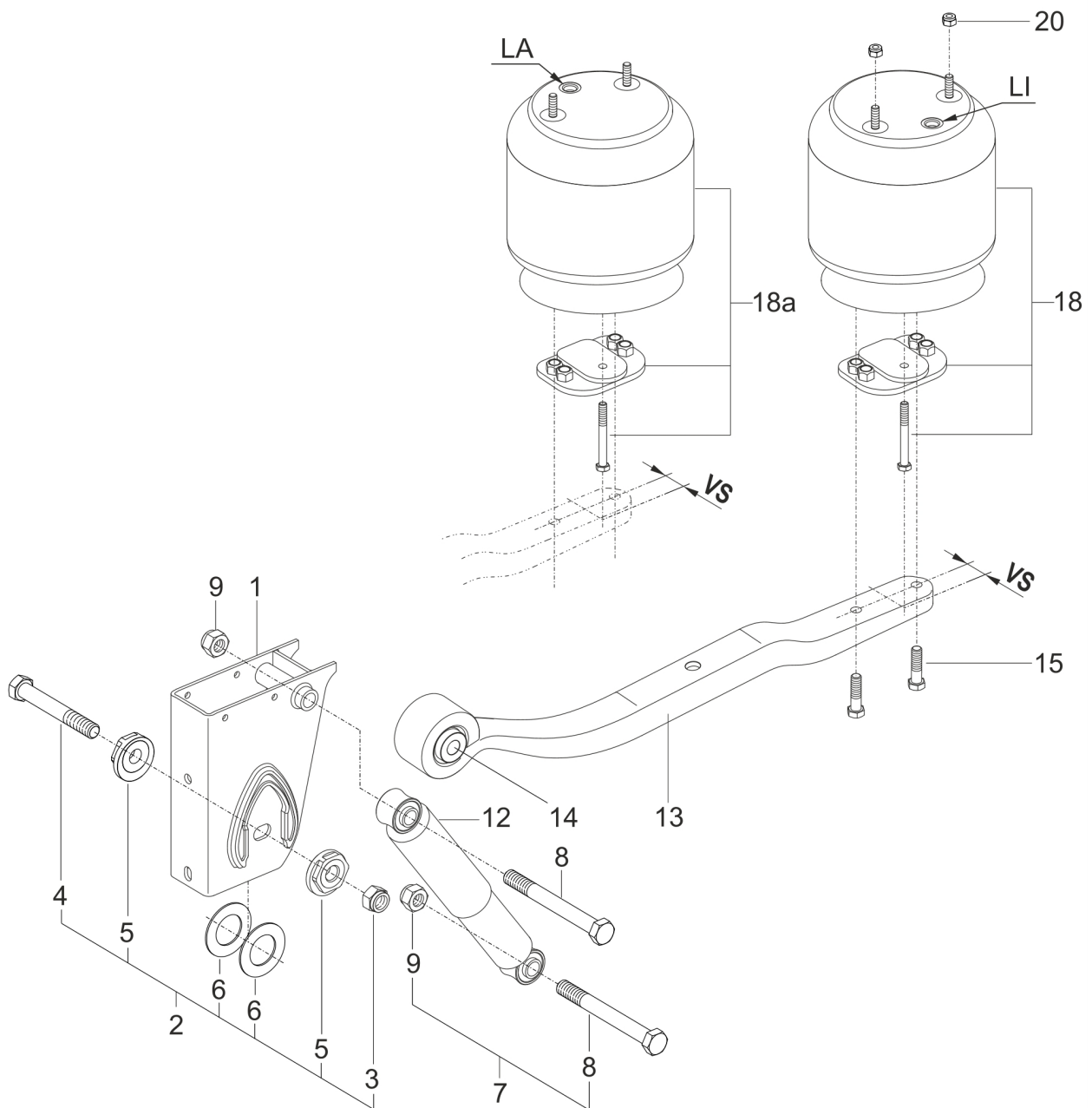
TKLRM 50 9t GL70 205

Version: 05/2016

Edition: 26/06/2020

ELU0062

Page: 1 (2)



Air suspension GL70 spring width 70 Bellow Ø300 TKLRM 50.38/9.1 Ride height 205-265 VS20/45		TKLRM 50 9t GL70 205	
Version: 05/2016	Edition: 26/06/2020	ELU0062	Page: 2 (2)

Item	Part-No.	Qty.	Description	Dimension
			Variation LI - Air supply mounted inwards TKLRM 50.38/9.1 GL70 VS=20/45 / 703013316	
			Variation LA - Air supply mounted outwards TKLRM 50.38/9.1 GL70 VS=20/45 / 703019142	
1	700249846	2	Air suspension bracket with eccentric support M 80/30 GL70 / Welded part	
2	716000077	2	Kit spring bolt GL70 with locknut, eccentric bushes and washers	M24x170
3	700012407	2	Locknut	M24/ DIN 980-10
4	700012417	2	Screw	M24x170
5	700149026	4	Eccentric bush	Ø24x20 / SW60
6	700196079	4	Wear plate	Ø52xØ90/3
7	700165305	4	Kit Shock absorber fixation screw + nut	M24x220
8	710500240	4	Screw	M24x220
9	700012407	4	Locknut	M24/ DIN 980-10
12	700196109	2	Shock absorber	D70 L355/555
13	703013279	2	Spring 4,5t TLR 50.38/45.1 GL70	
14	700196082	2	Silentblock GL70	
15	710500001	4	Screw	M16x60
			TKLRM 50.38/9.1 GL70 VS=20/45 / 703013316	
18	703012824	2	Air bellow 3045 with adapter plate Air supply inside	Ø300 VS20/45
			TKLRM 50.38/9.1 GL70 VS=20/45 / 703019142	
18a	703024522	2	Air bellow 3045 with adapter plate Air supply outside	Ø300 VS20/45
20	710500119	4	Locknut	M12/ DIN 985