

RIGID AXLE 9 t BRAKE DRUM 300x200 - ZO
 Ø127 - Offset 0 - 10 Stud M22-Ø225

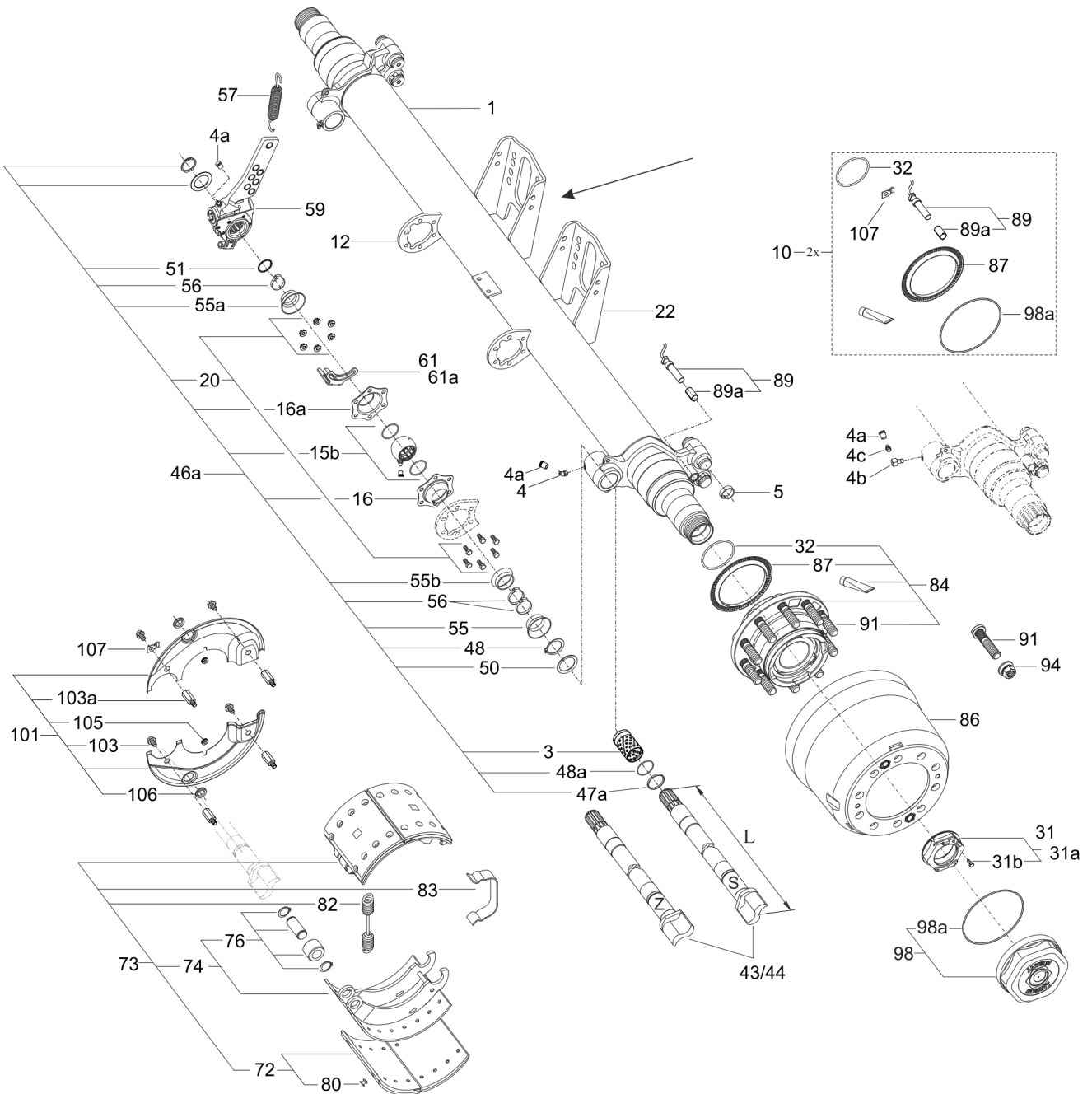
GKH3 09010 3020

Version: 10/2020

Edition: 08/03/2022

EA12555

Page: 1 (4)



RIGID AXLE 9 t BRAKE DRUM 300x200 - ZO Ø127 - Offset 0 - 10 Stud M22-Ø225		GKH3 09010 3020	
Version: 10/2020	Edition: 08/03/2022	EA12555	Page: 2 (4)

Item	Part-No.	Qty.	Description	Dimension
1			Axle beam according to serie-no. of axle	
3	709404037	2	Bush	Ø42x46/72,6
			standard	
4	702411008	2	Grease nipple	M10x1 45°
4a	708702017	4	Grease nipple cap	
			Special - for central lubrication	
4a	708702017	4	Grease nipple cap	
4b	702411011	2	Stud elbows for grease nipple	90° M10x1/M10x1
4c	702411009	2	Grease nipple	M10
5	709215011	8	Anchor pin bush	Ø31,5x35,5/9,7
10	703020055	1	Kit ABS 80 teeth with sensor LG350 incl. o-rings and clamp for cable	
12	709379529	2	Camshaft bracket	
15b	709272310	2	Knuckle assembly	Ø42
16	709404022	2	Bearing bracket (with grease)	
16a	709404028	2	Bearing bracket	
20	709317118	2	Kit screw for fixation knucle	M8x25
22	709379528	2	Cylinder bracket	
31	709317882	1	Kit spindle nut right with screw	M68x1,5 SW95
31a	709317883	1	Kit spindle nut left with screw	M68x1,5 SW95
31b	701306016	2	Screw	M6x16
32	702500084	2	O-ring	Ø84x4
43/44			Bremsnockenwellen	
46a	709317940	1	Mounting kit brake cam for Protec/K1/K2/K3 Ø300 - AGS Please observe the brake cam locking EA0013!	
			EA0013 Bremsnockenwellensicherung K2 / K3 Ø300	
47a	709369006	2	Plastic bushing	Ø42x46/4
48	702102014	2	Circlip	Ø42E
48a	702500040	2	O-ring	Ø40x2,5
50	709369007	2	Sealing ring	Ø42x57/2
51	709400007	2	Circlip	Ø35E

RIGID AXLE 9 t BRAKE DRUM 300x200 - ZO Ø127 - Offset 0 - 10 Stud M22-Ø225		GKH3 09010 3020	
Version: 10/2020	Edition: 08/03/2022	EA12555	Page: 3 (4)

Item	Part-No.	Qty.	Description	Dimension
55	709356001	2	Cam protection	Ø41/25
55a	709356003	2	Cam protection	Ø34/26
55b	709356002	2	Cam protection	Ø41/19
56	709255001	6	Hose clamp	
57	707203067	2	Return spring	Ø25,8xØ2,8/148
59	709319434	2	AGS R105/120/135/150/165/180/250 S ASA 5	
61	709319436	1	Bracket AGS right	
61a	709319435	1	Bracket AGS left	
72	709317084	1	Kit brake lining +0	3020 +0
72	709317085	1	Kit brake lining +1	3020 +1
73	709317840	1	Kit brake shoe complete GIGANT 3020 (73=72+74+82+83)	300 x 200
74	709322049	4	Brake shoe GIGANT 3020 without brake lining	300 x 200
76	709317771	4	Kit roller	
80	702950003	64	Rivet	Ø8/15
82	709361022	2	Return spring	Ø28x5/177
83	709361021	2	Fixed point spring	
84	703019959	2	Hub complete K3 3020 SO/SAO/ZO with wheel stud part 91, o-rings parts 32 and 98a and sensor ring	
86	703017767	2	Brake drum K3 3020	300 x 200 L=260 10xØ22,5
87	703017807	2	ABS sensor ring 80 teeth Ø158	
89	700000444	2	Kit Inductive sensor ABS with bush and grease LG 350	
89a	708505035	2	Bush of sensor	
91	703017762	20	Wheel stud	M22x1,5 L=95
94	708606072	20	Spigot wheel nut	M22x1,5 SW32
98	703020065	2	Kit Hub cap with o-ring	M170x2 SW160 / 61
98a	702500160	2	O-ring	Ø160x3
101	709317816	2	Kit dust cover for 1 side GK 3020	300x200
103	701390101	8	Flange screw	M10x16
103a	709271046	8	Extension	M10 L=36 SW17

SPARE PARTS

RIGID AXLE 9 t BRAKE DRUM 300x200 - ZO Ø127 - Offset 0 - 10 Stud M22-Ø225		GKH3 09010 3020	
Version: 10/2020	Edition: 08/03/2022	EA12555	Page: 4 (4)

Item	Part-No.	Qty.	Description	Dimension
105	708710177	4	Grommet	Ø25,4
106	709404041	4	Plug	
107	709110002	2	Clamp for cable	