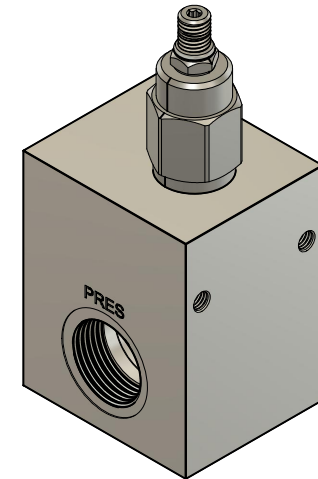
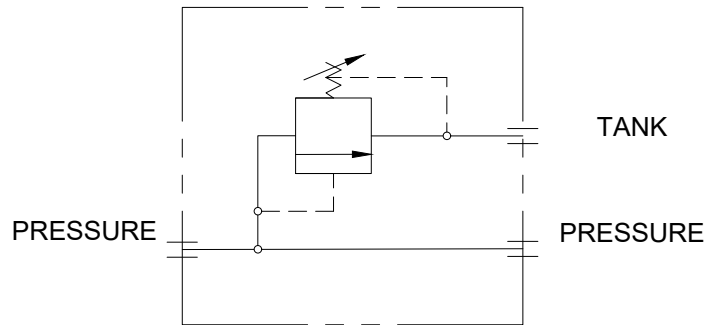
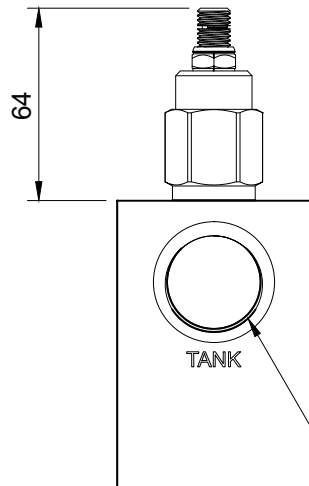


M8 x 15 x 2 Drilled & Tapped Mount Holes



All Port 1" BSPP

ALL DIMENSIONS IN MM

Relief Block - Inline			
Maximum Flow	200 L/min	Working Pressure	207 Bar

167TP16PRDFA - Direct Acting



19/05/2023