

# **AIXIN MEDICAL**

# **USER MANUAL**

*AX-B5 Twin-pen  
Sandblaster*

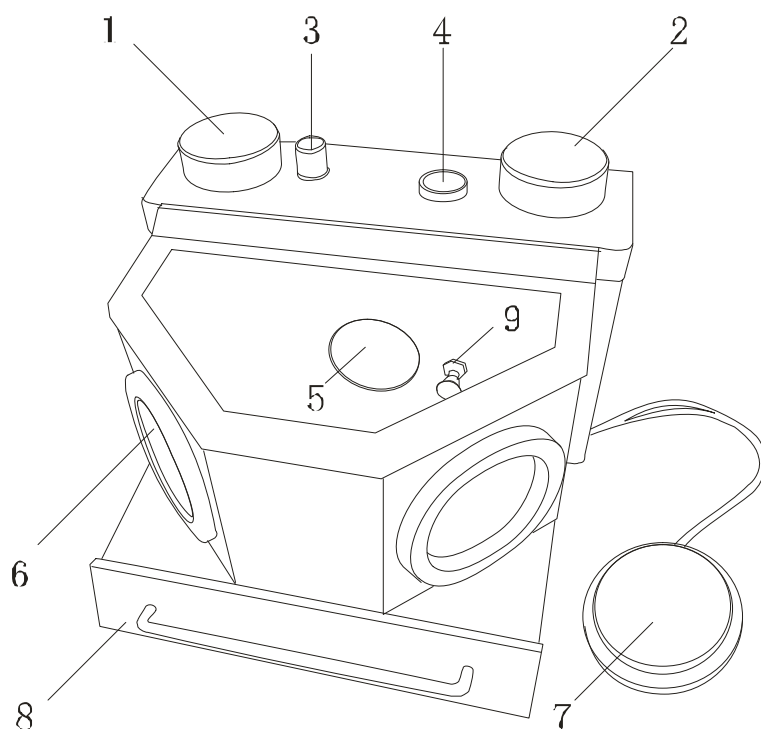
## Description:

The AX-B5 Twin-Pen Sandblaster is upgraded from the AX-B3 Twin-Pen Sandblaster. The sand bottles are made of aluminum alloy, which assures the safety of the users. The embedded vacuum device and dust chamber enables dustless and more convenient operations. This machine is used for polishing the surface of porcelain crowns, and it is a necessary tool for making porcelain teeth.

## Specifications:

Power supply voltage	AC 220V / 110V 50HZ / 60HZ $\pm 10\%$
Pressure	4kg/cm <sup>2</sup>
Power	<8W
Dimensions	43×42×31 (cm)

## Diagram:



1. Sand bottle
2. Sand bottle
3. Pressure-adjusting valve
4. Pressure gauge
5. Dust filter
6. Ring
7. Foot switch
8. Dust drawer
9. Directional valve

## Instructions:

1. Unpack the packages, check if all the accessories are inside. Read this manual carefully before using.
2. After assembling the sandblaster, plug in the air supply pipe (pressure = 4-5 kg/cm, amount of air supplied  $\geq$  80 L/min).
3. Put quartz sand (120 meshes) into the machine.
4. Turn on the power and the light.
5. Put the casting into the working chamber from the observation window, hold the casting by its side, the distance between the casting and the nozzle should not be farther than 10 mm.
6. A hand valve is used to control the directions. One bottle contains quartz sand, and the other contains alumina.
7. To activate the sandblaster, step on the foot switch and sand will spout out from the nozzle.
8. After finish cleaning the surface of the casting, lift your foot from the foot switch to stop sand from spouting. Open the observation window and take out the polished casting. Turn off the power after using.

### **Cautions:**

1. When changing sand, please clean the top of the bottle and the thread of the lid carefully with a brush, make sure the lid is tightly closed.
2. Sand used in the bottle must be 120 meshes.
3. The nozzles are consumable accessories, please replace when they are worn out.
4. When using the sandblaster, avoid using the foot switch while operating the directional valve to prevent sand from entering the directional valve.
5. When the air tube is jammed, please remove the air pipe which connects the bottle and clean the pipe with blowing air.
6. There is a build-in pressure limit valve in the sandblaster, when the pressure gauge indicates 4-5, air will escape automatically in order to protect the machine and the user.
7. Remove sand in the dust drawer frequently. Do not reuse the sand in the drawer.

### **Accessories:**

Manual	1
Power cord	1
Nozzle	1
Fuse tube (1A)	2
Air tube ( $\Phi$ 8)	2.5m
Dust tube	1