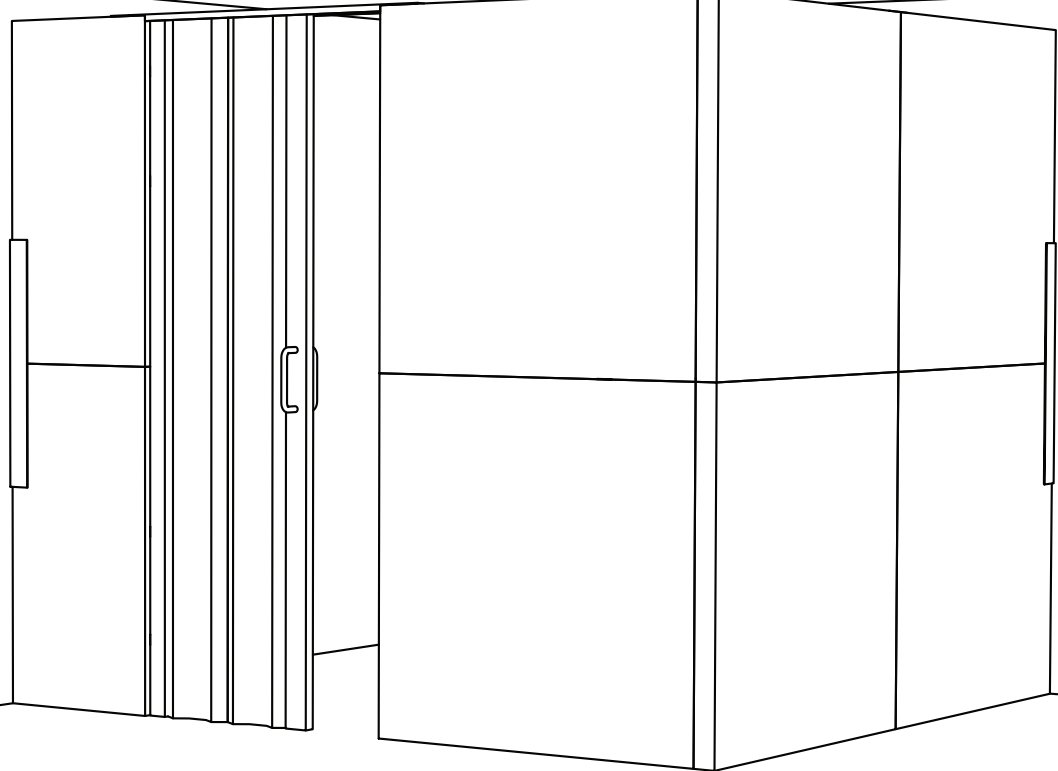


ASSEMBLY GUIDE

MOUNTED L-SHAPED PARTITION WALL WITH ACCORDION DOOR



diyversify

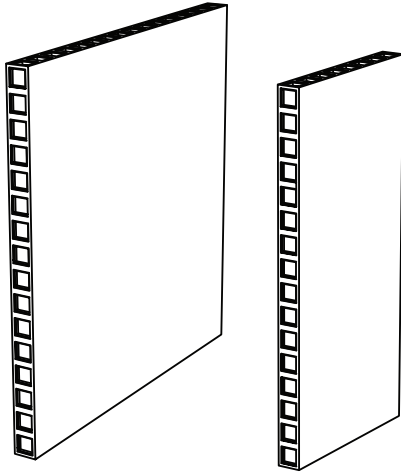
www.diyversify.com

+1 855-348-4300

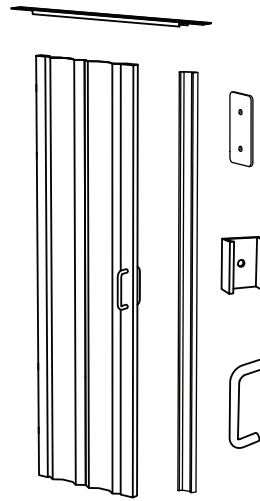


VIDEO ASSEMBLY GUIDE

WHATS INCLUDED



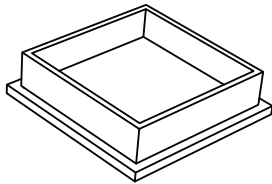
Wall Panels



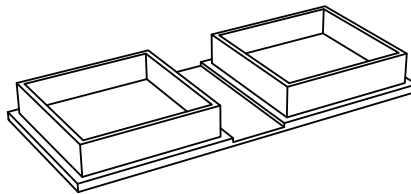
Door-Kit



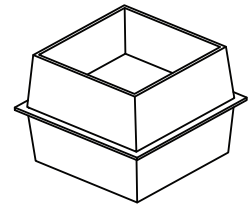
Mounting Brackets



Finishing Caps



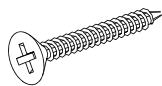
Two-Way connectors



Lug Connectors

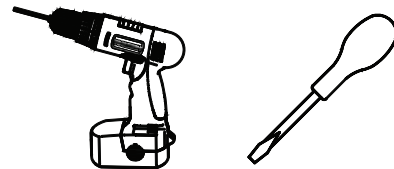
NOT INCLUDED

Screws for mounting brackets



Choose ones appropriate for the existing walls you are mounting to and minimum 1.25" long

Tools



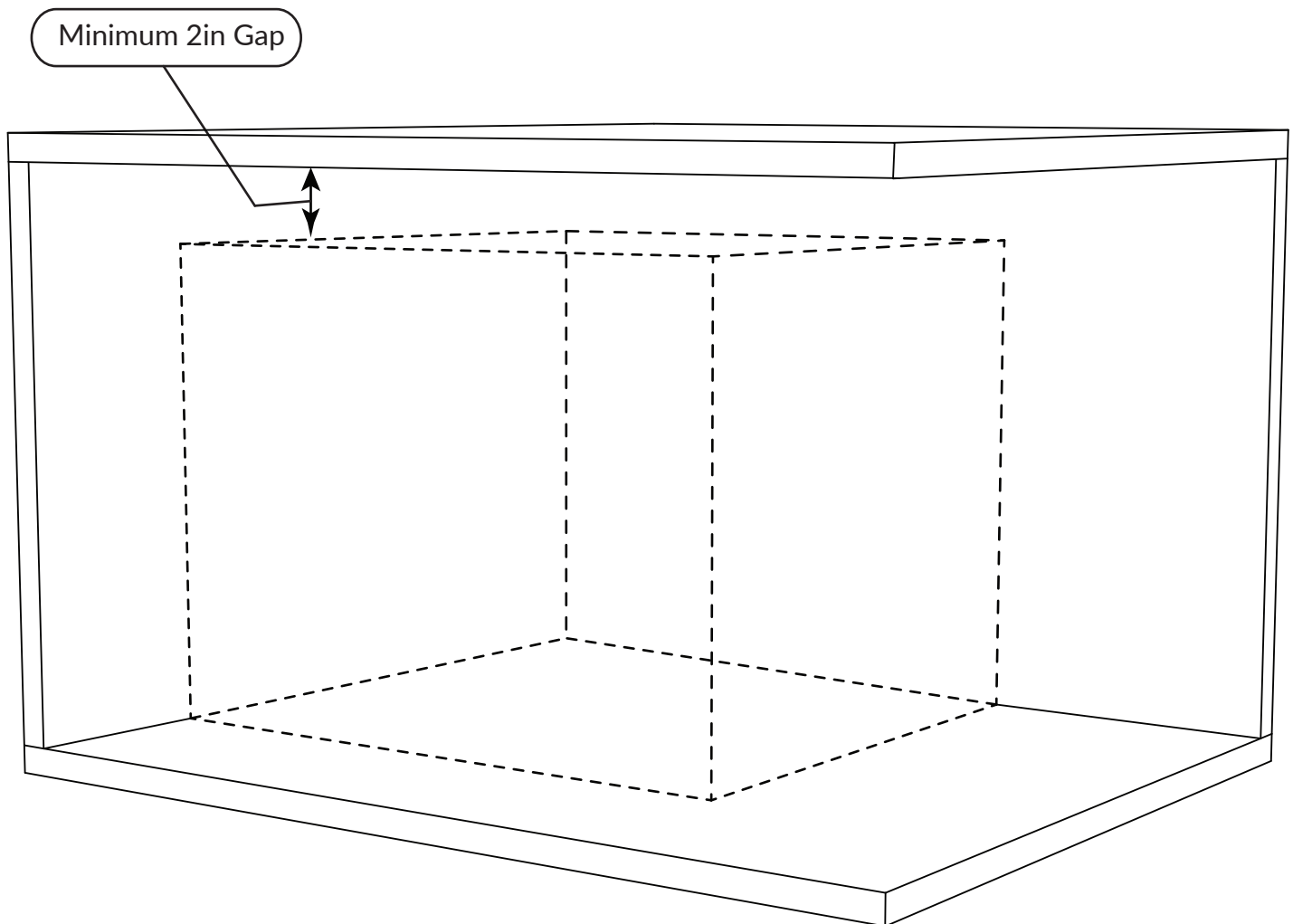
1. Inspect your order thoroughly prior to installation (contact us with any issues)

- Make sure that no panels or items were damaged during shipment.
- Make sure you have all the items listed in your "item list" (sent by email).

2. Gather the tools needed

- Your own screws for the wall mounting brackets. Any construction screws appropriate for your existing walls at least 1.25" long will work with our panels.
- A drill and a screwdriver for mounted kits, and for attaching the accordion doors.
Note: Use the screwdriver to do final tightening of all screws by hand.

BEFORE GETTING STARTED



3. Prepare and clear the area where you will be assembling the wall kit.

- Make sure your ceiling height is at least 2in higher than the wall kit you ordered.
- Check your floor and ceiling for any major dips/bulges as that might complicate the assembly.

4. Grab a friend (optional)

We always recommend having another person there to help you with kits higher than 4' to help hold panels in place and avoid any pinch points.

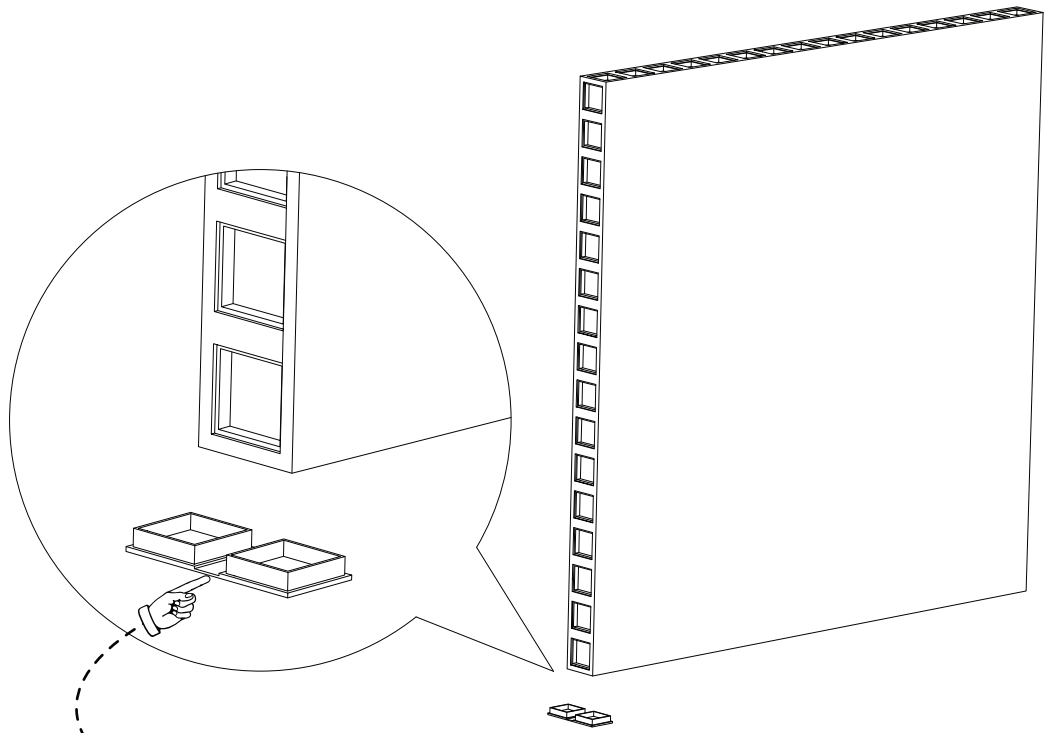
For any issues or questions regarding assembly our team is here to help you Monday-Friday 9AM-5PM (EST)

diyversify

www.diyversify.com

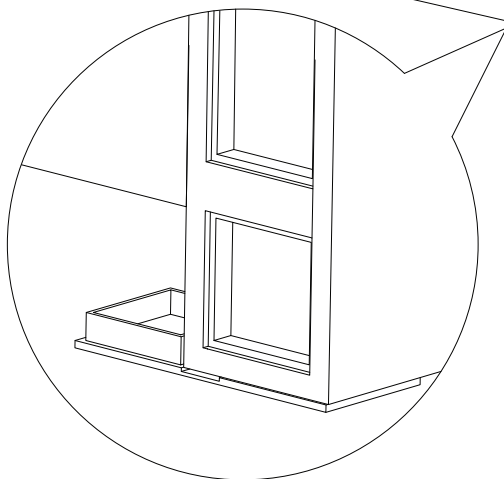
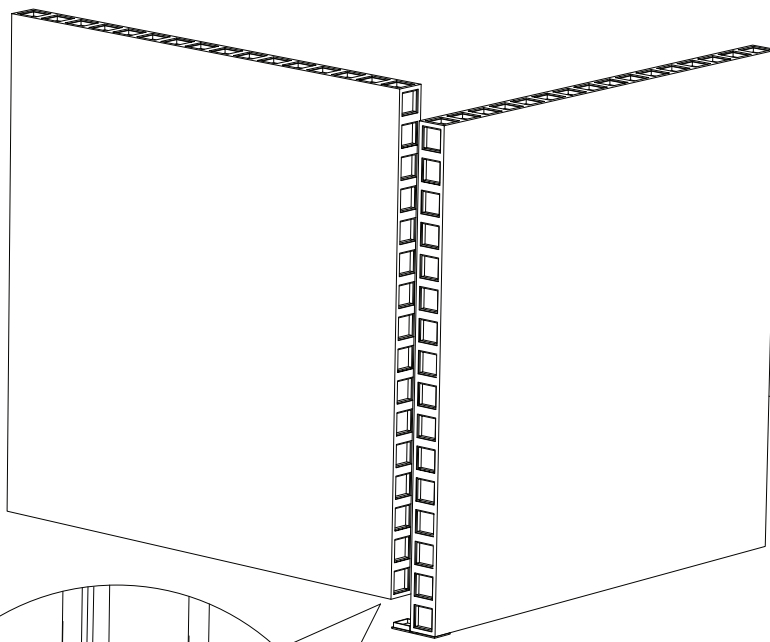
+1 855-348-4300

1



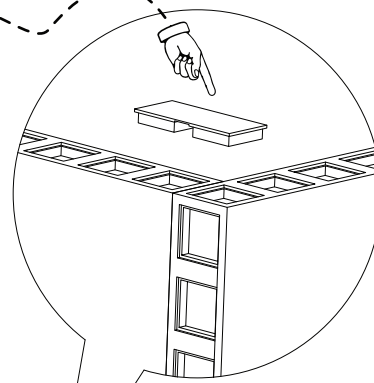
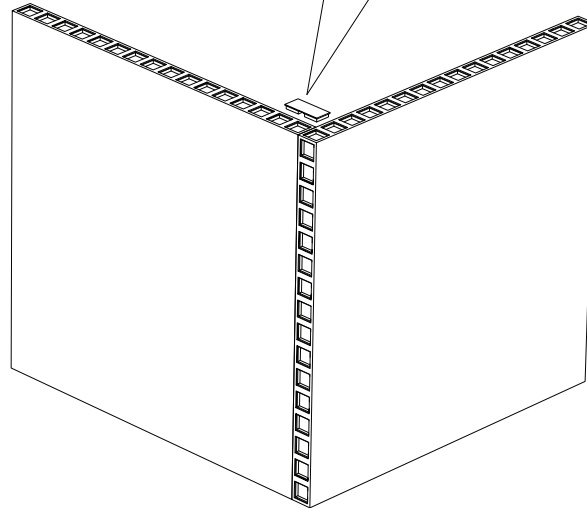
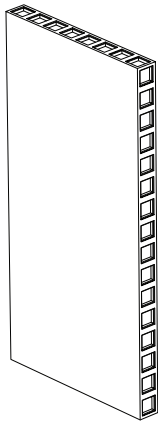
Two-Way Connectors

2

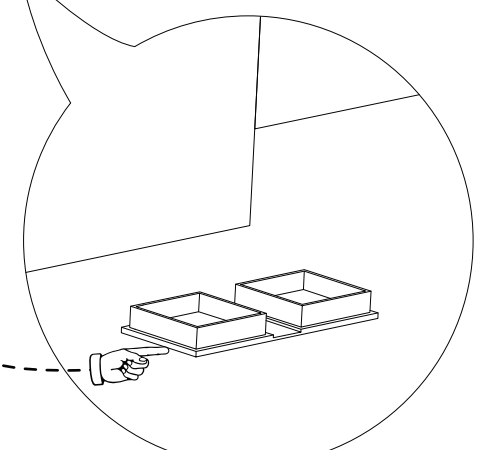
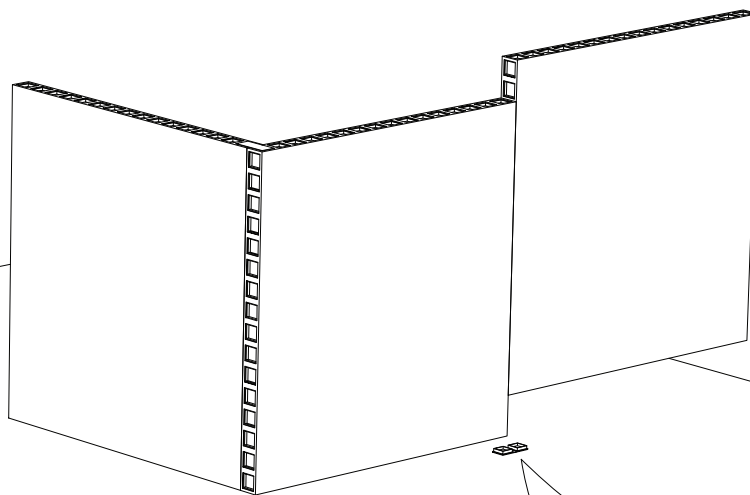
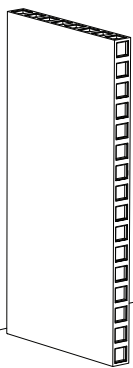


3

Two-Way Connectors

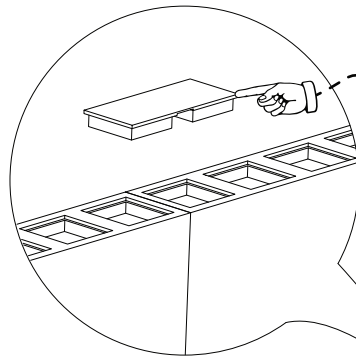


4

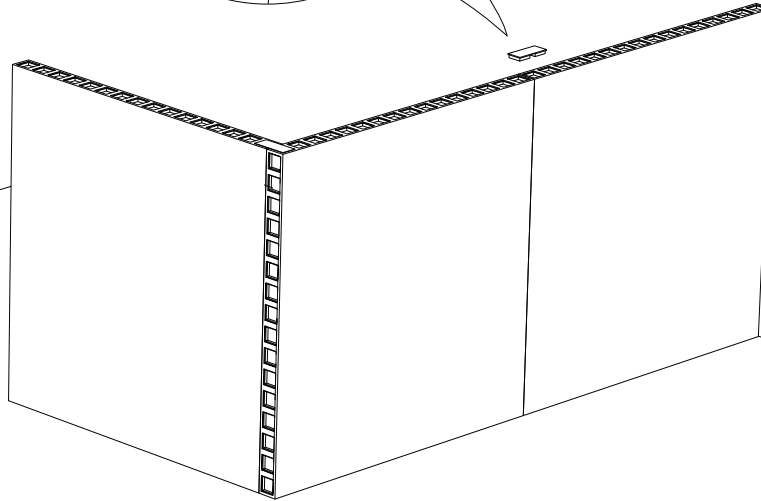
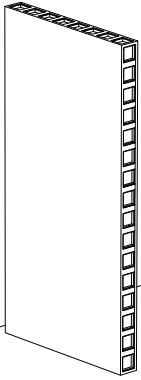


Two-Way Connectors

5



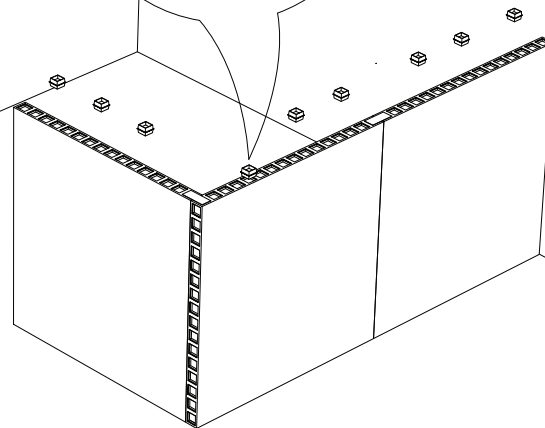
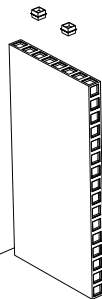
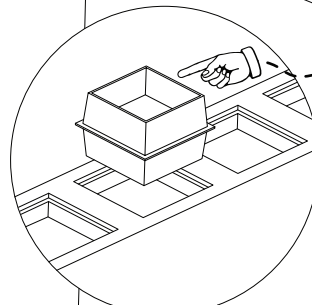
Two-Way Connectors



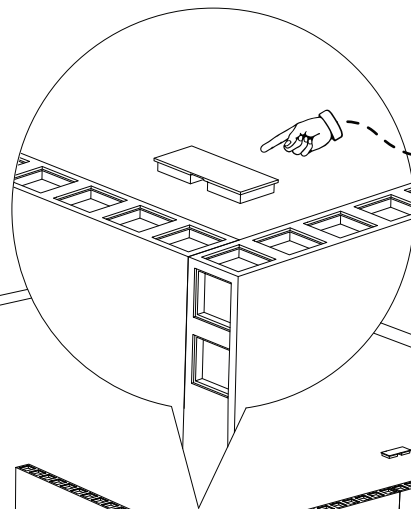
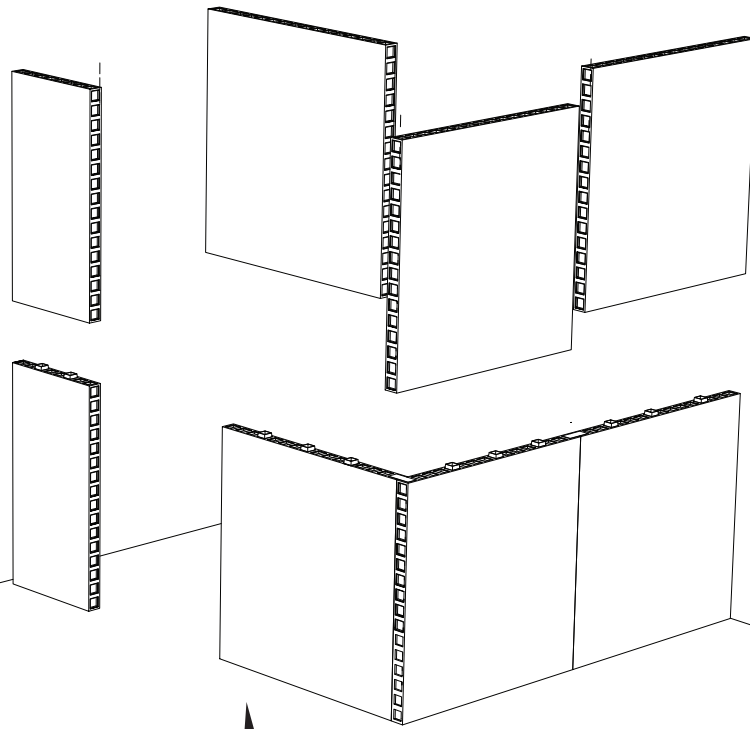
6

Lug Connectors

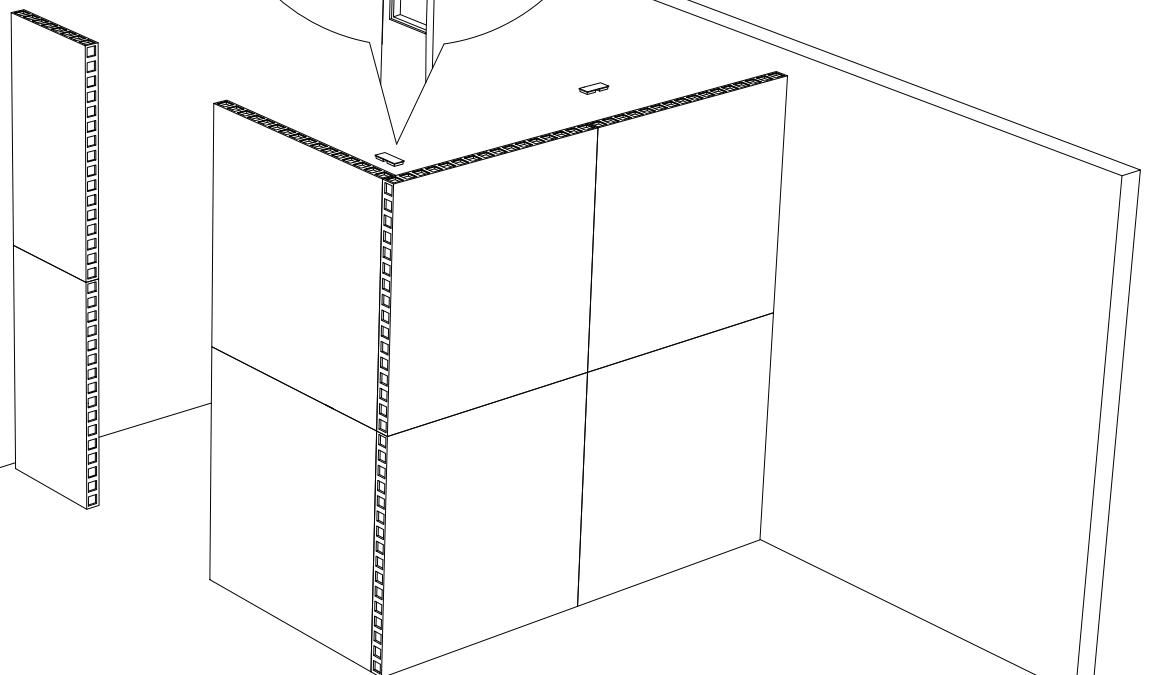
insert a lug connector in every 2-3 hole. **DO NOT** insert lugs in every connector hole. Doing so will create a gap between panels.



7



Two-Way Connectors



8

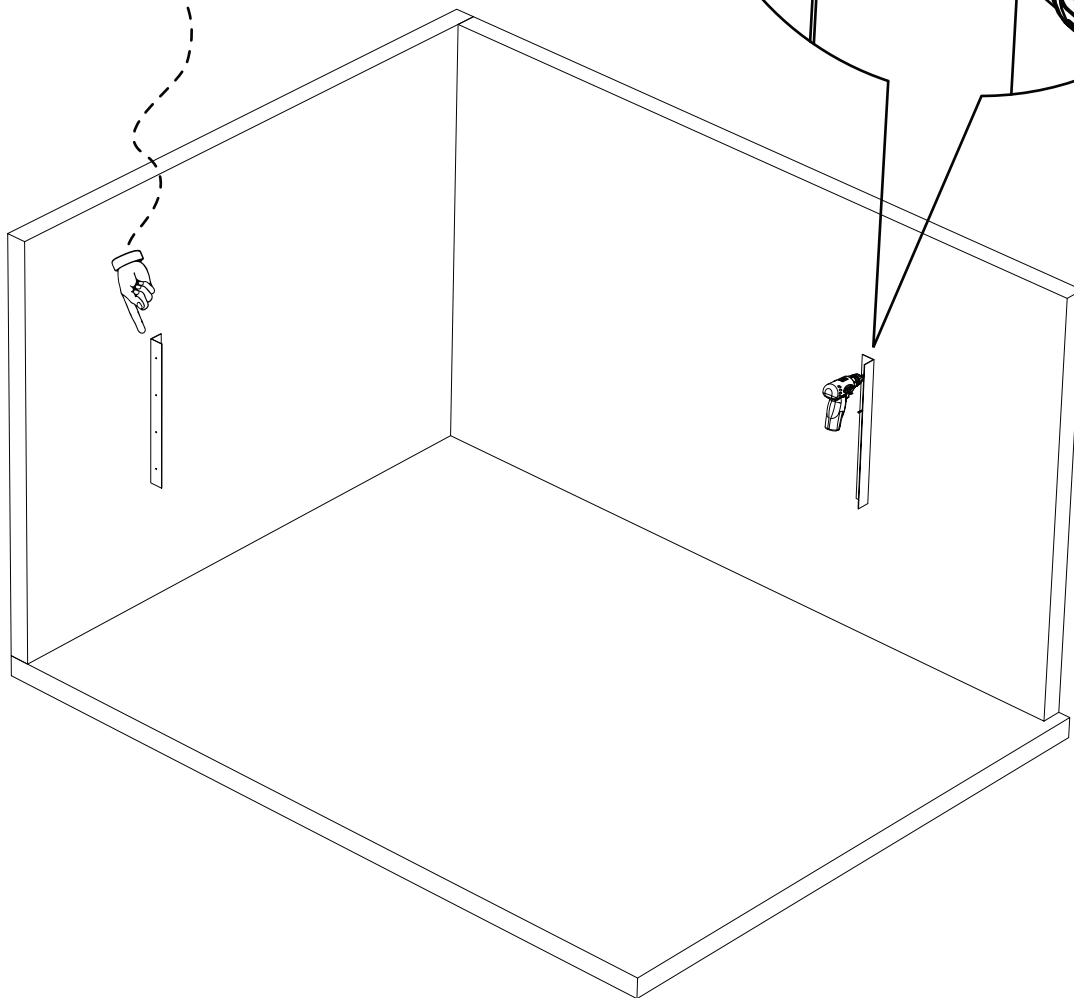
WALL MOUNTING

Screws not included

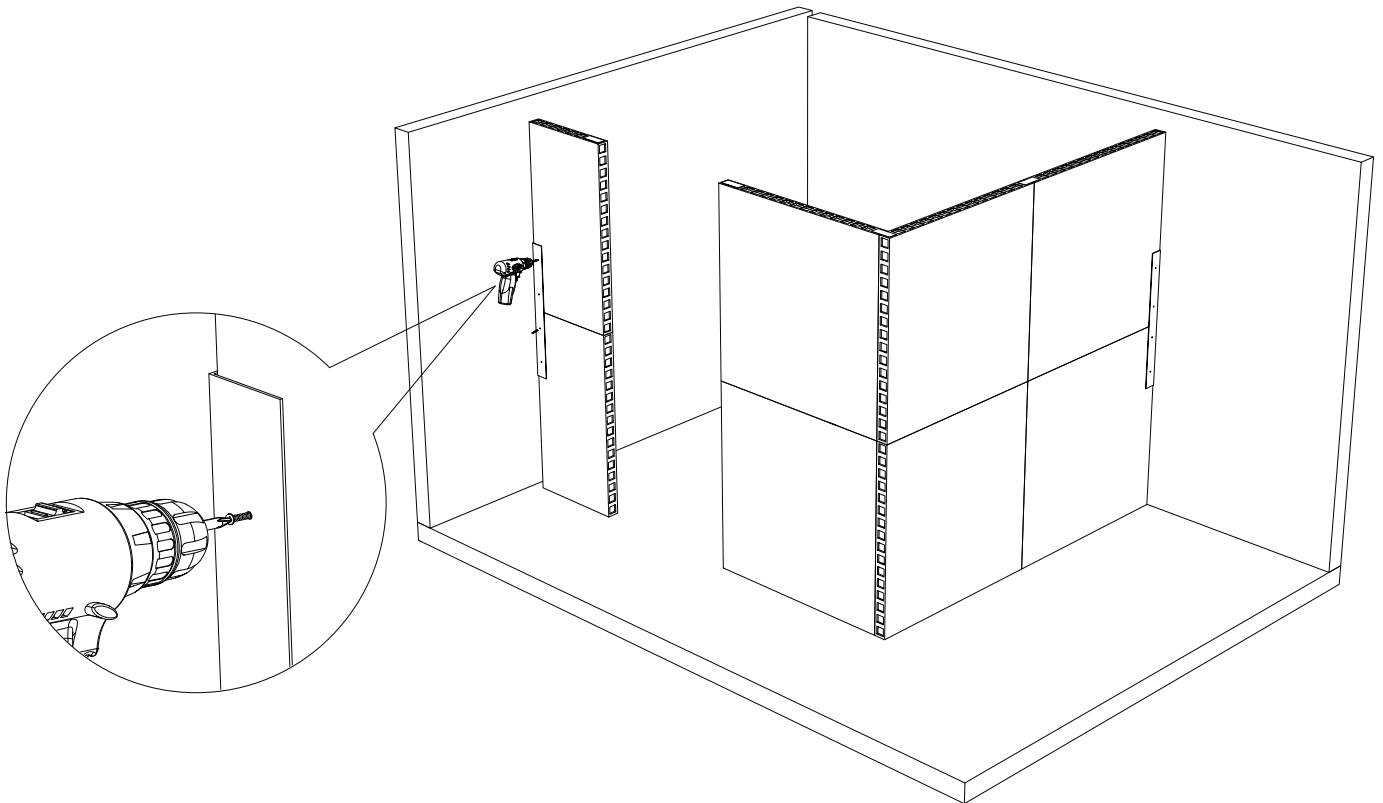
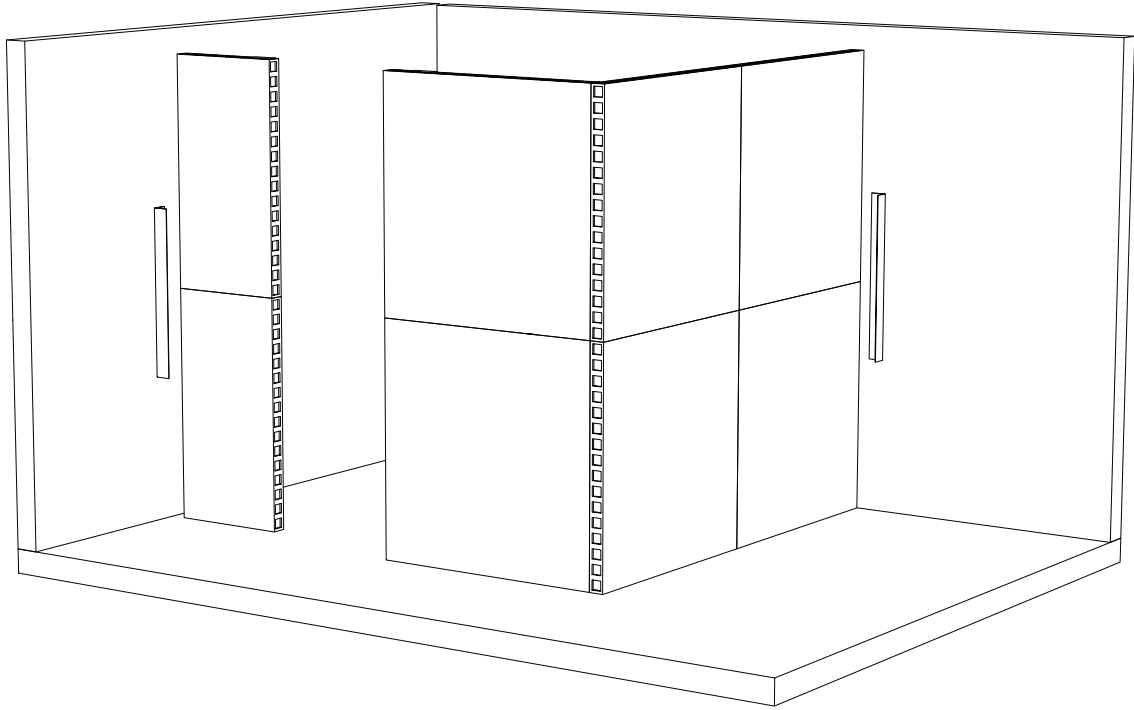
Choose screws appropriate for the material of your existing walls
minimum screw length: 1.25"

Mounting Brackets

1 mounting bracket pr side
included for 7ft tall walls.
2 pr side for 8ft tall walls.

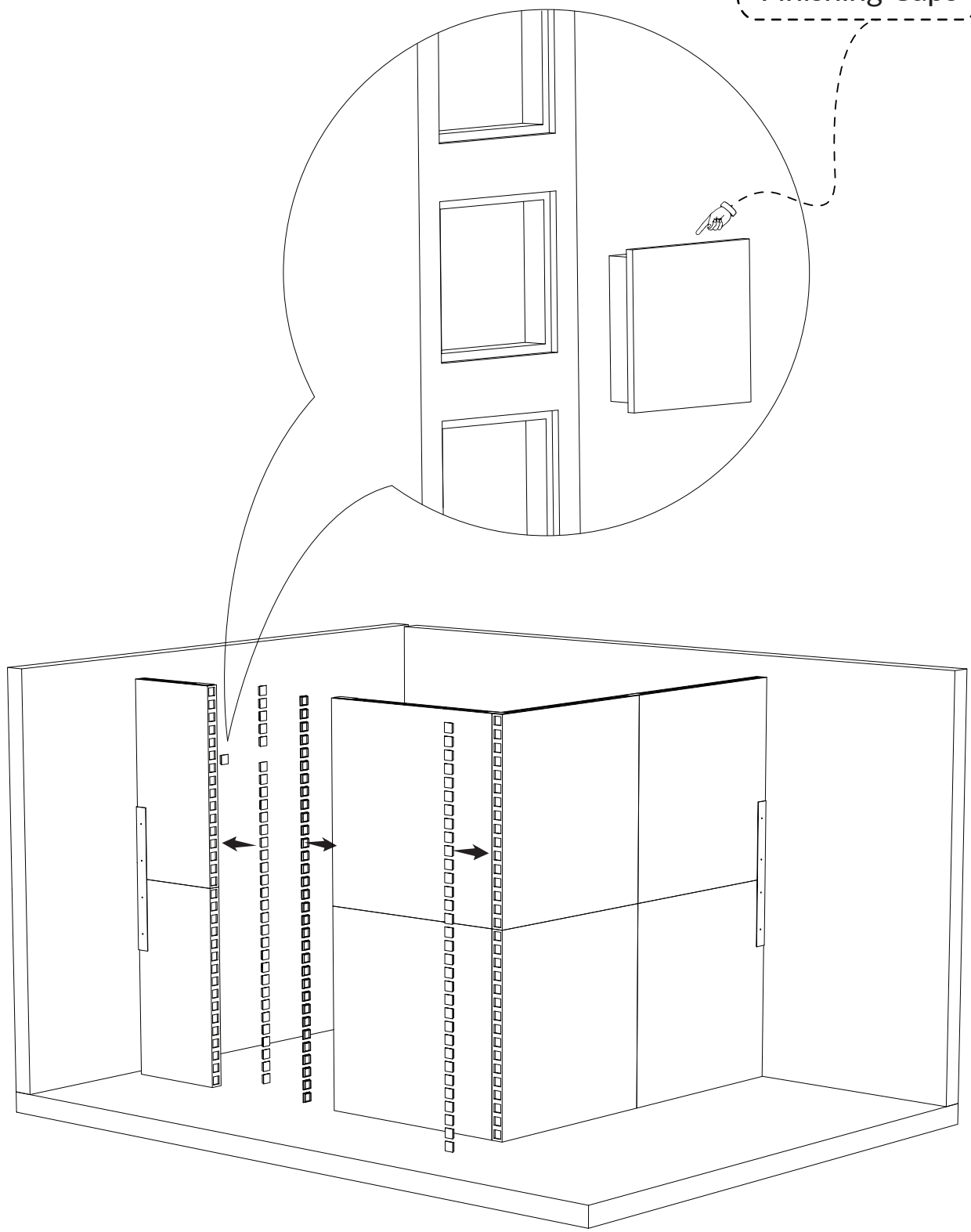


9



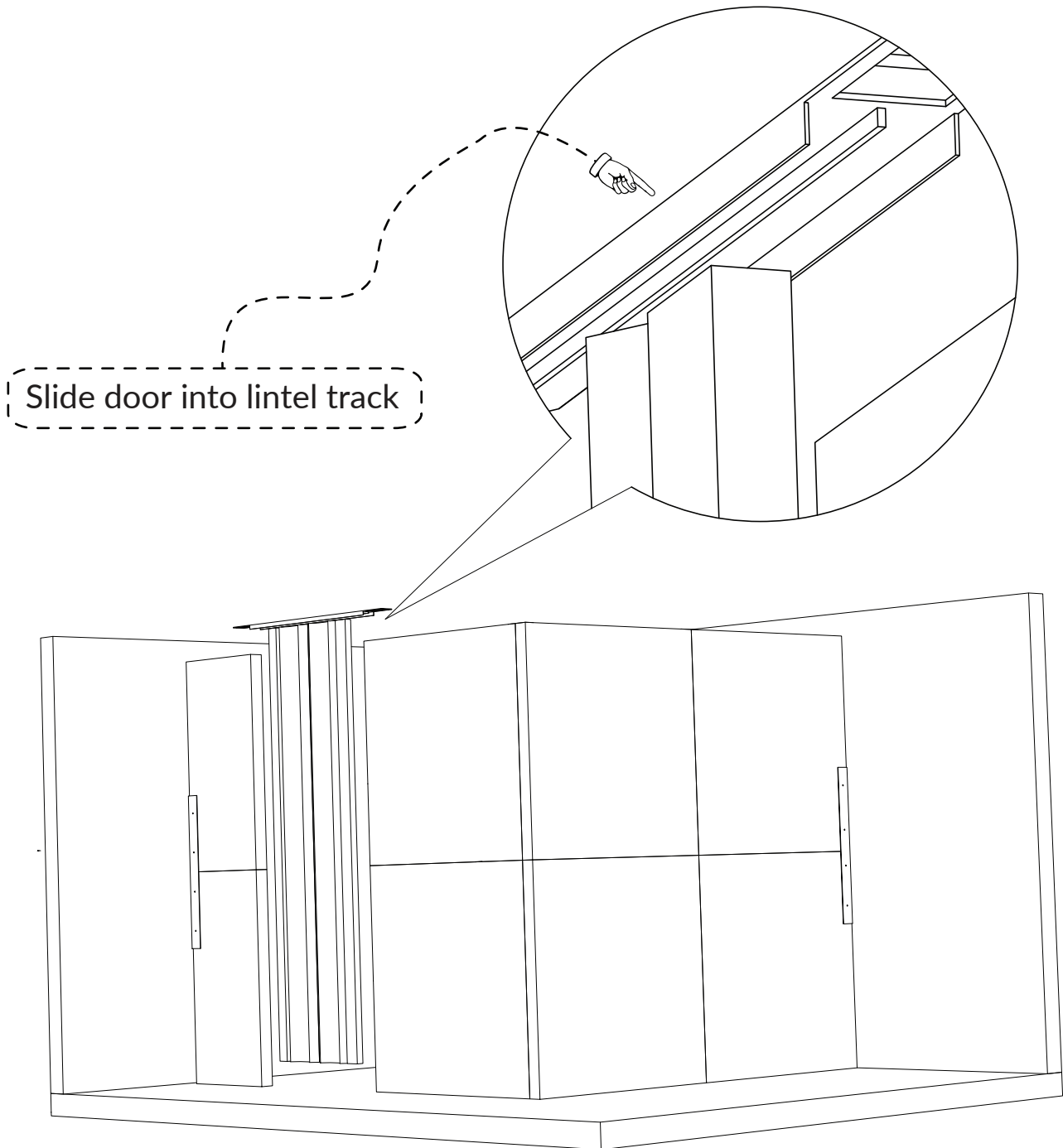
10

Finishing Caps

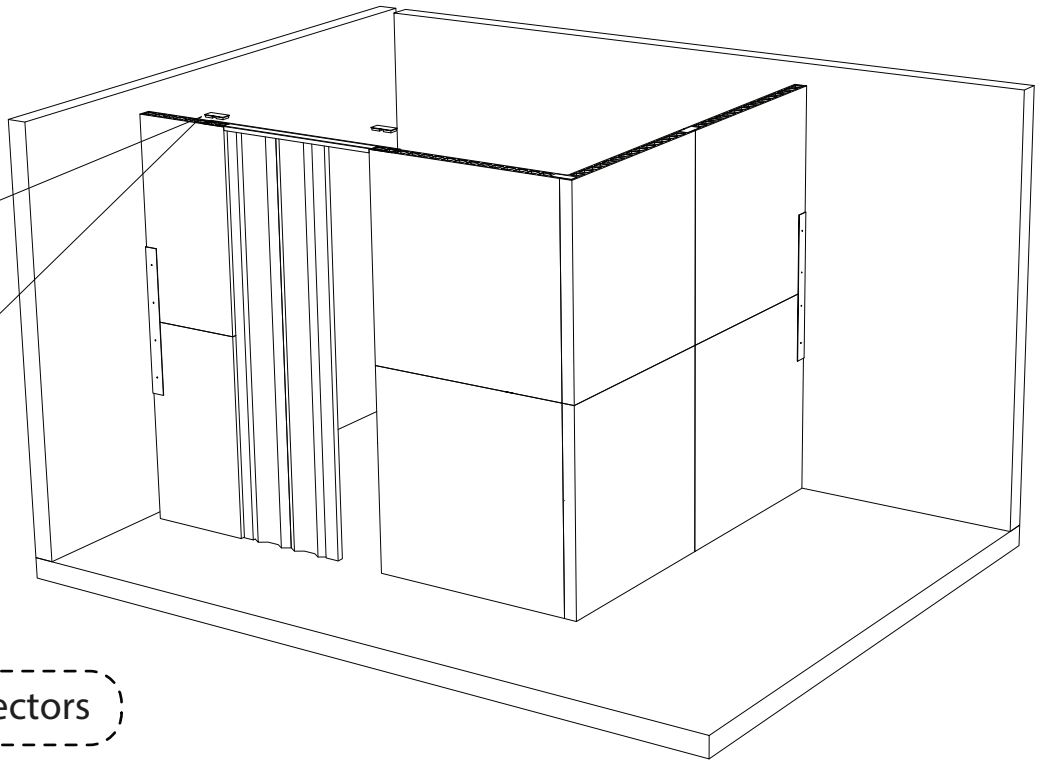


11

DOOR INSTALLATION

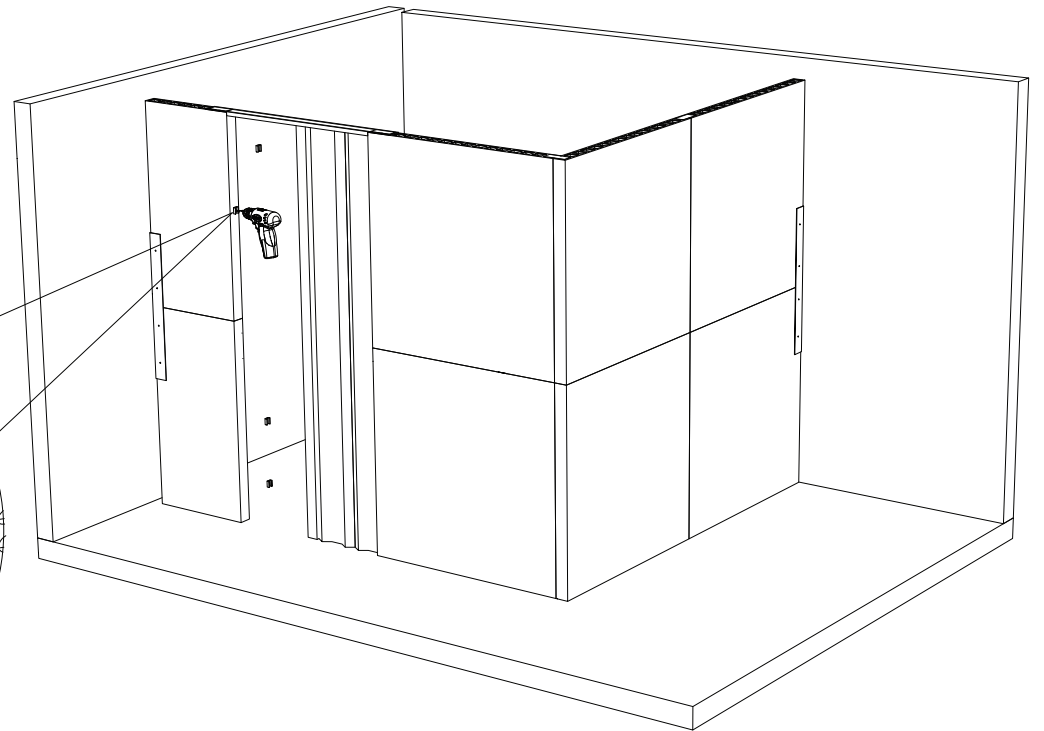


12

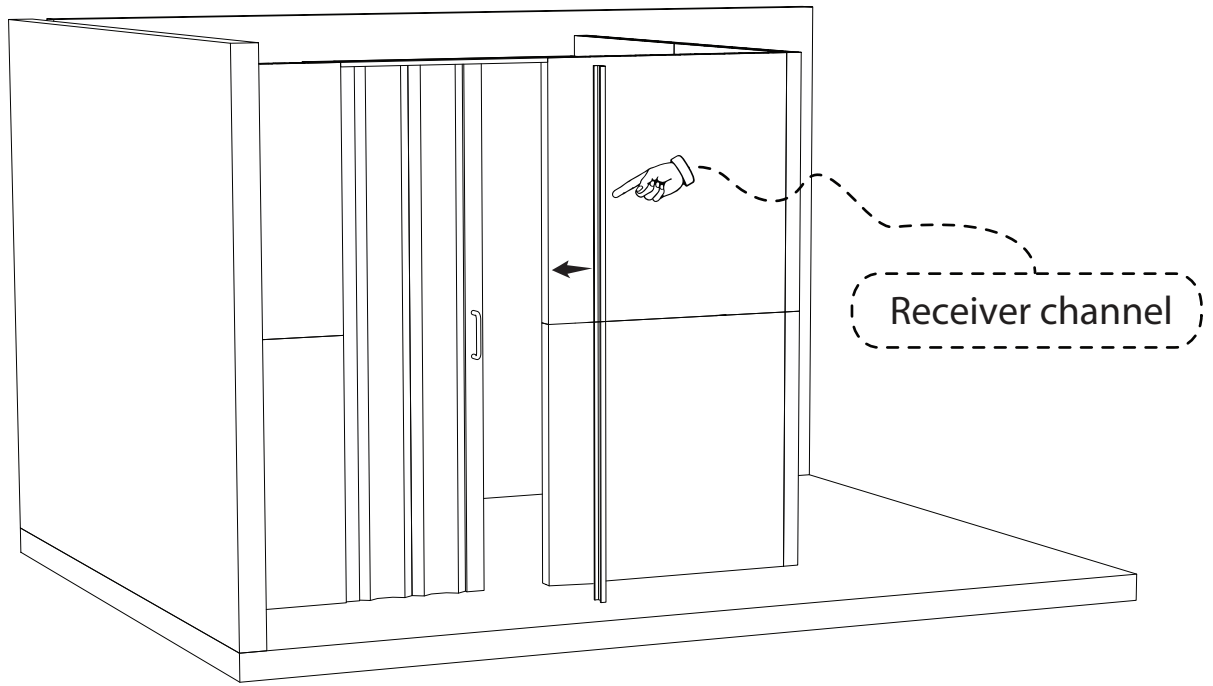


Two-Way connectors

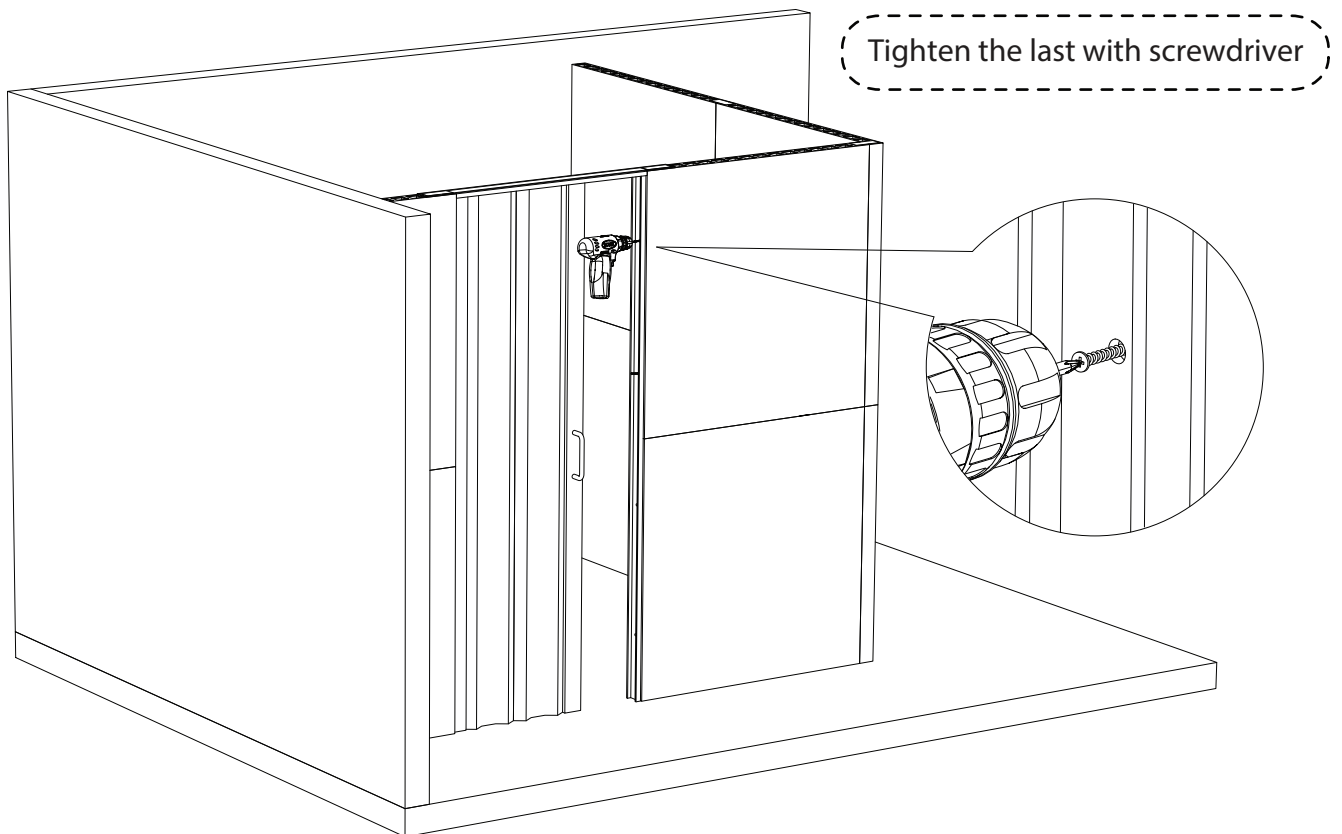
13



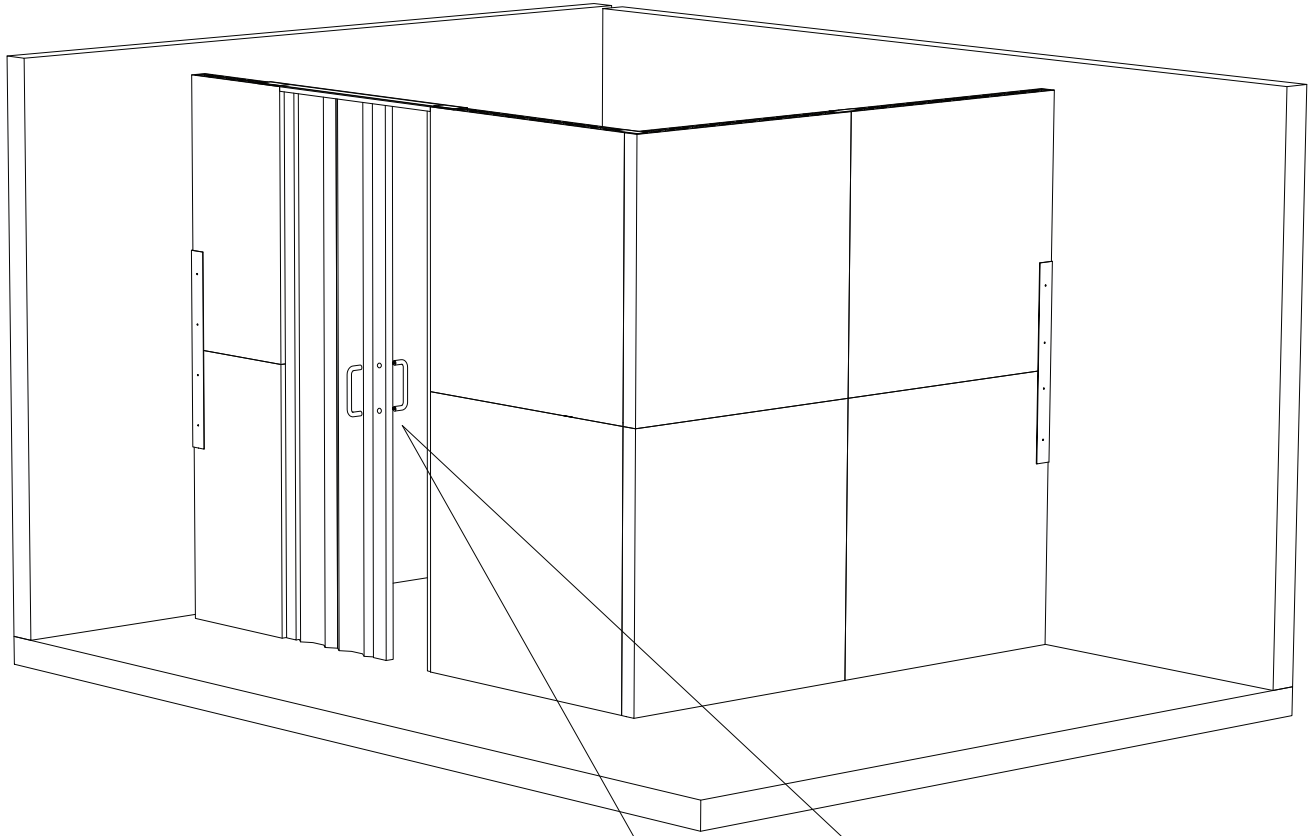
Fasten door support clips on the side you want the door fixed to



14

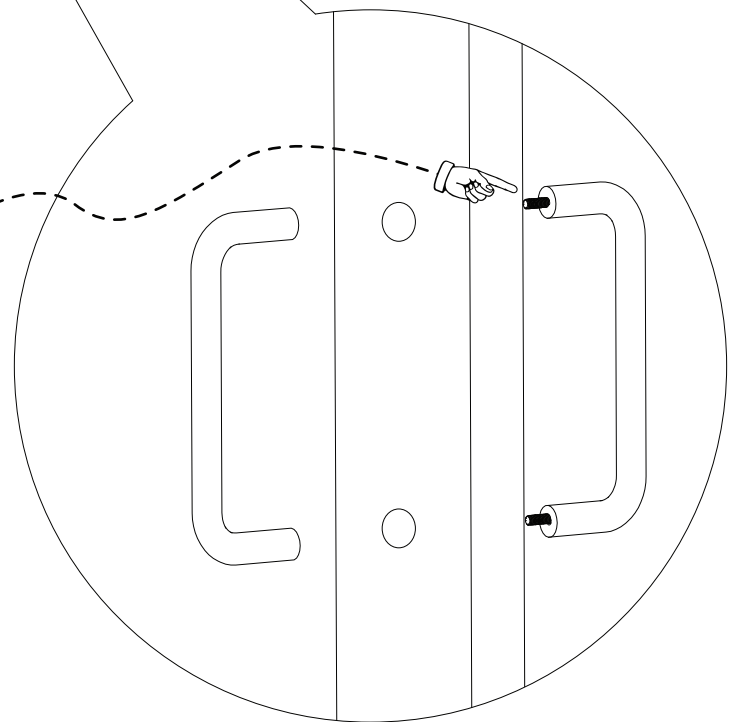


15



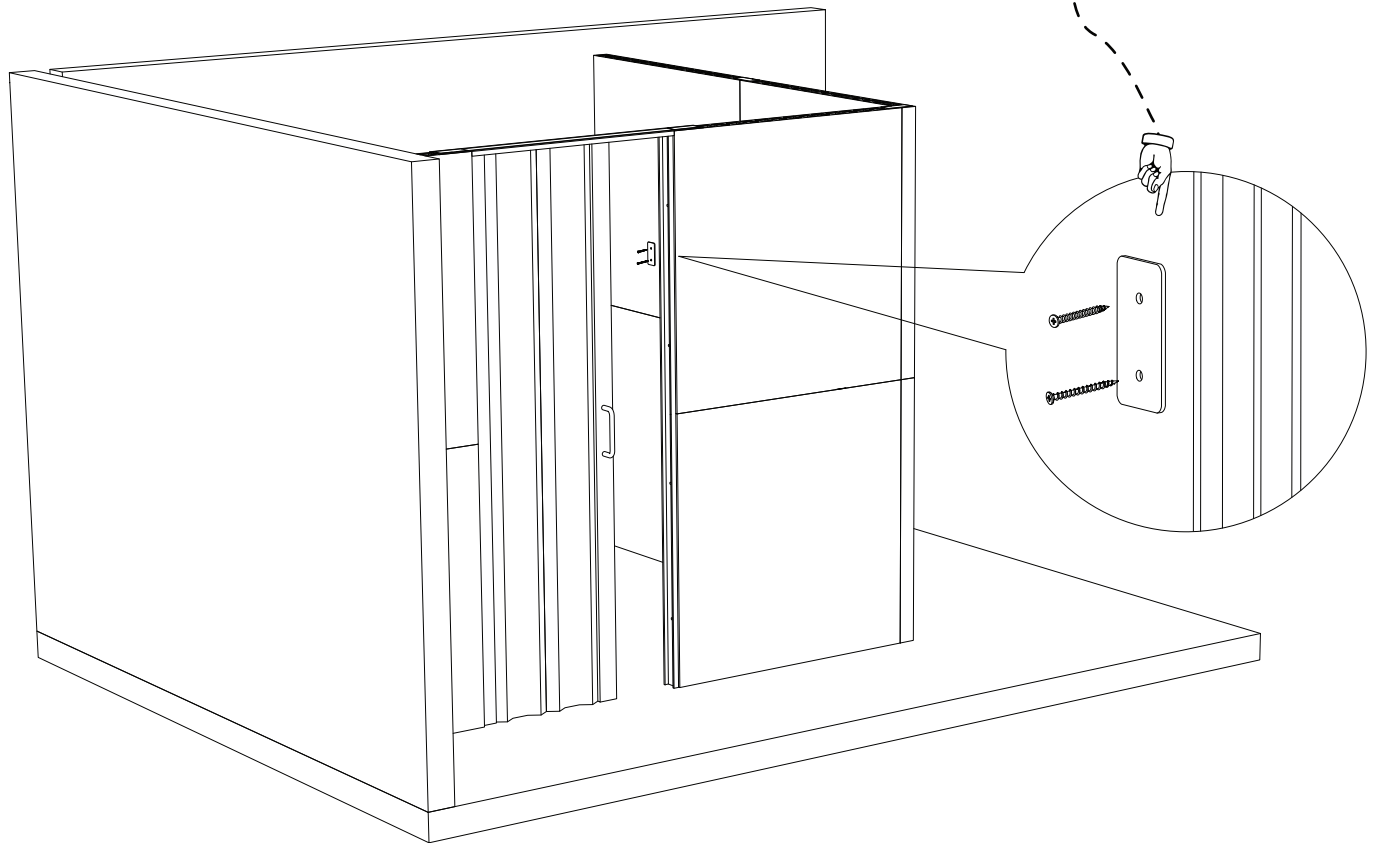
Insert 2 door handle pins into one door handle and slot the pins through holes on door panel unit.

Attach the other side of the door handle to the pins and squeeze together



16

Fasten magnetic plate on
receiver channel



diyversify

We are available for assembly support via
chat, phone or email Monday-Friday 9AM-5PM (EST)

hello@diyversify.com

+1 855-348-4330