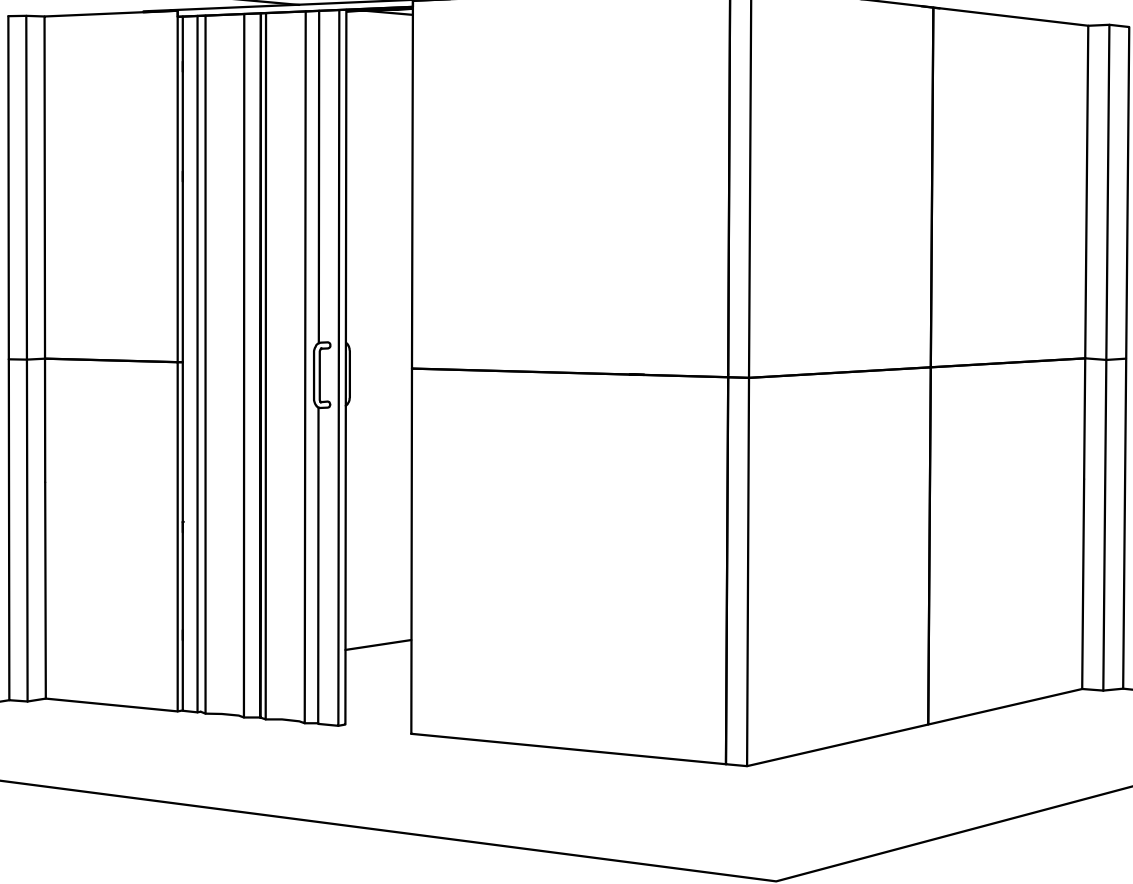


ASSEMBLY GUIDE

FREESTANDING L-SHAPED PARTITION WALL WITH ACCORDION DOOR



diyversify

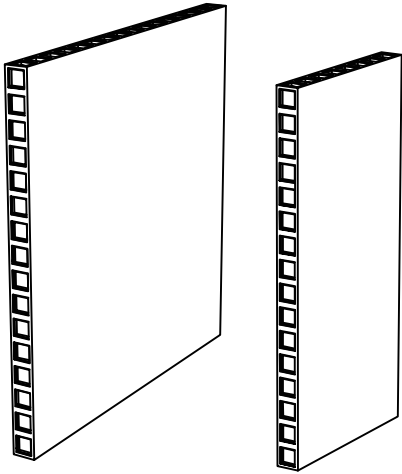
www.diyversify.com

+1 855-348-4300

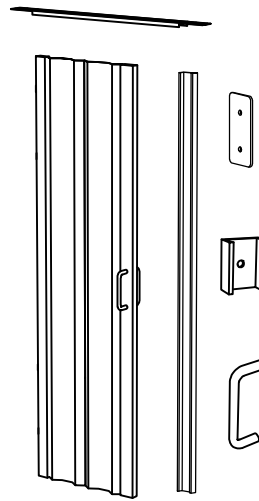


VIDEO ASSEMBLY GUIDE

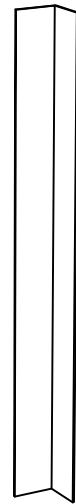
WHATS INCLUDED



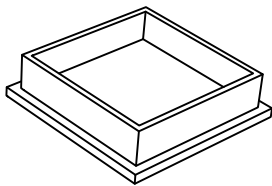
Wall Panels



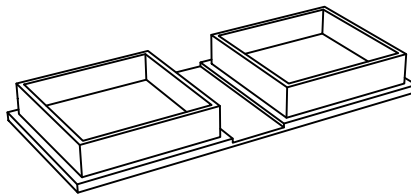
Door-Kit



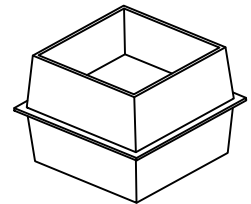
Mounting Brackets



Finishing Caps



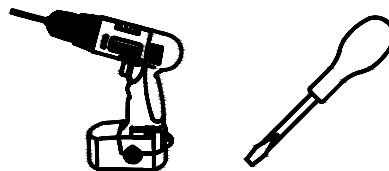
Two-Way connectors



Lug Connectors

TOOLS NEEDED

Not Included



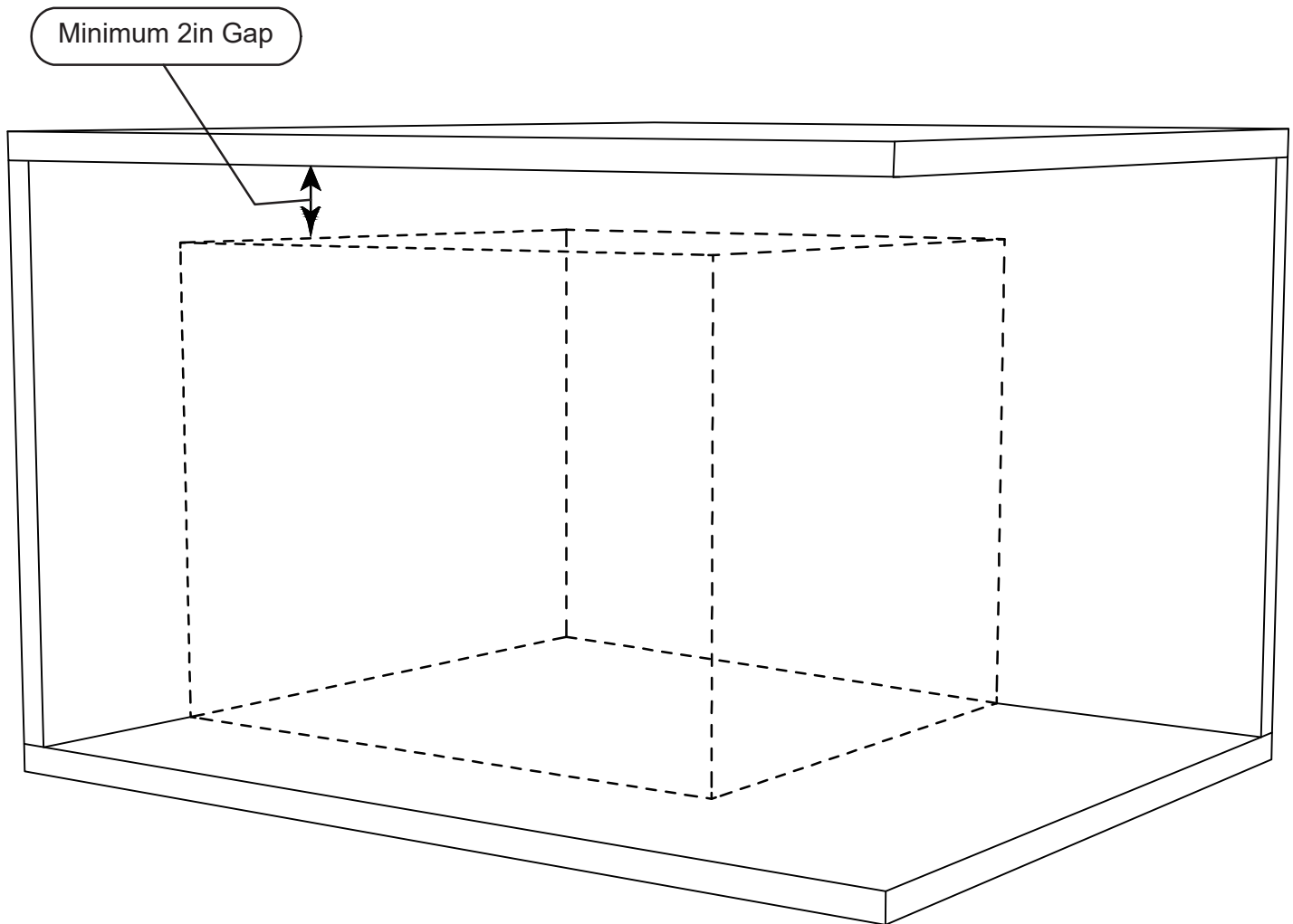
1. Inspect your order thoroughly prior to installation (contact us with any issues)

- Make sure that shipment have not damaged any of the panels.
- Make sure you have all the items listed out in your "item list" (sent by email).

2. Grab a friend (optional)

We always recommend having another person there to help you with kits higher than 4'f to help hold panels in place and avoid any pinch points.

BEFORE GETTING STARTED



1. Positioning Panels in Their Approximate Location

Roughly lay out flat against the floor a single layer of wall panels outlining the configuration of your wall. This will give you a good overview of how everything fits together.

Make sure to take into account the 3' width for the door

2. Make sure the surface area you are building in is level

This is important, as bottom panels will not be able to connect with each other if the floor is too uneven.

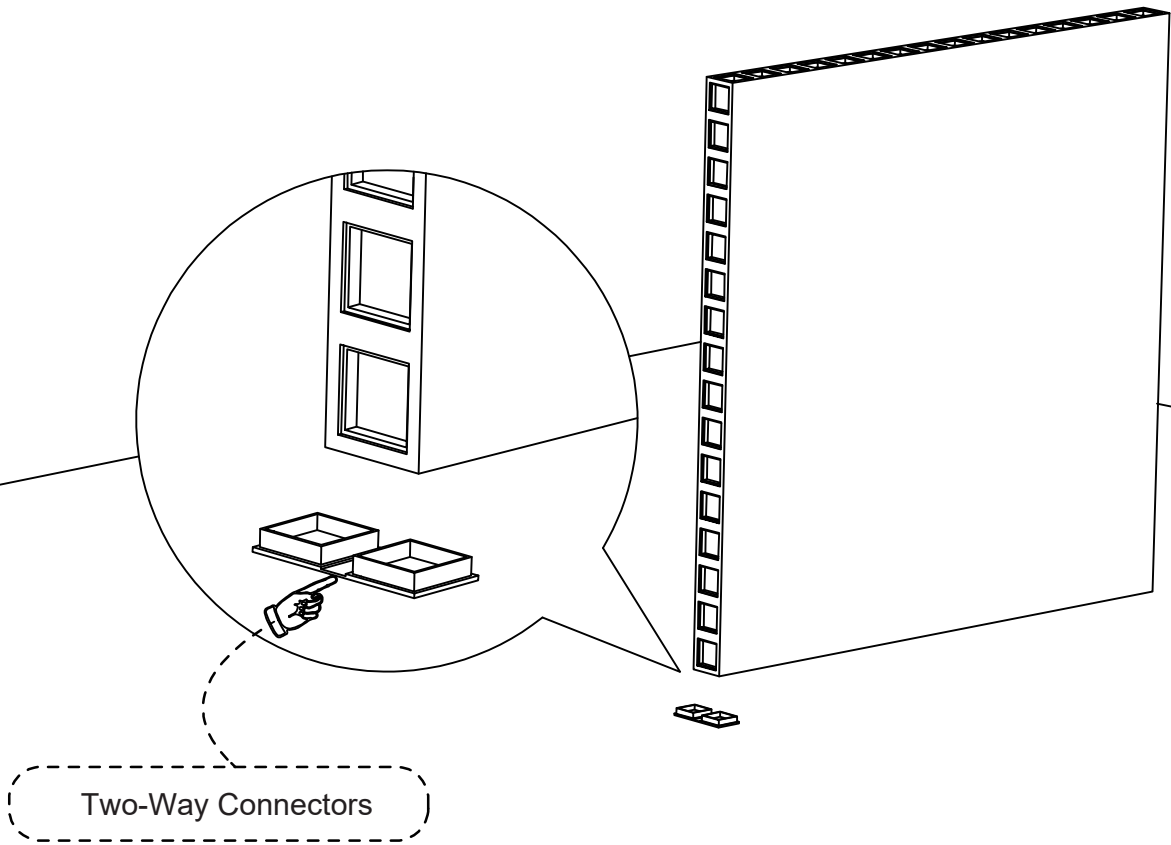
For any issues or questions regarding assembly our team is here to help you Monday-Friday 9AM-5PM (EST)

diyversify

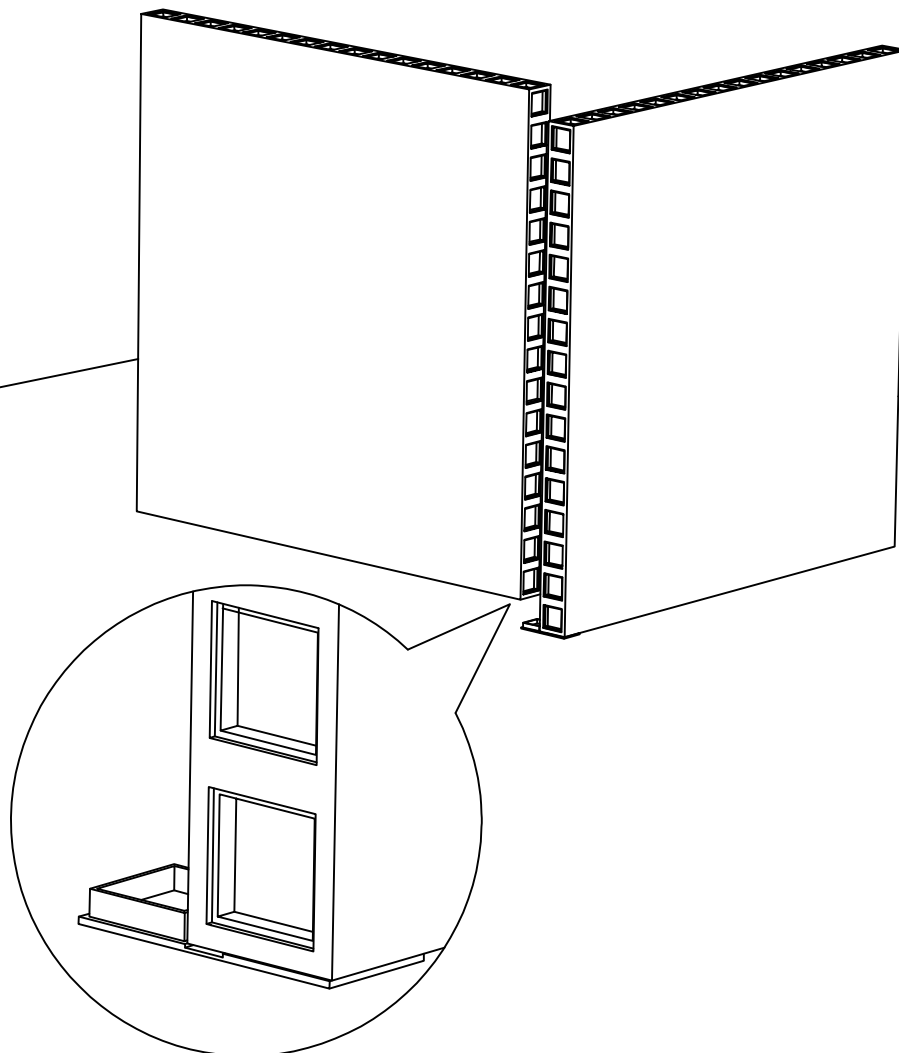
www.diyversify.com

+1 855-348-4300

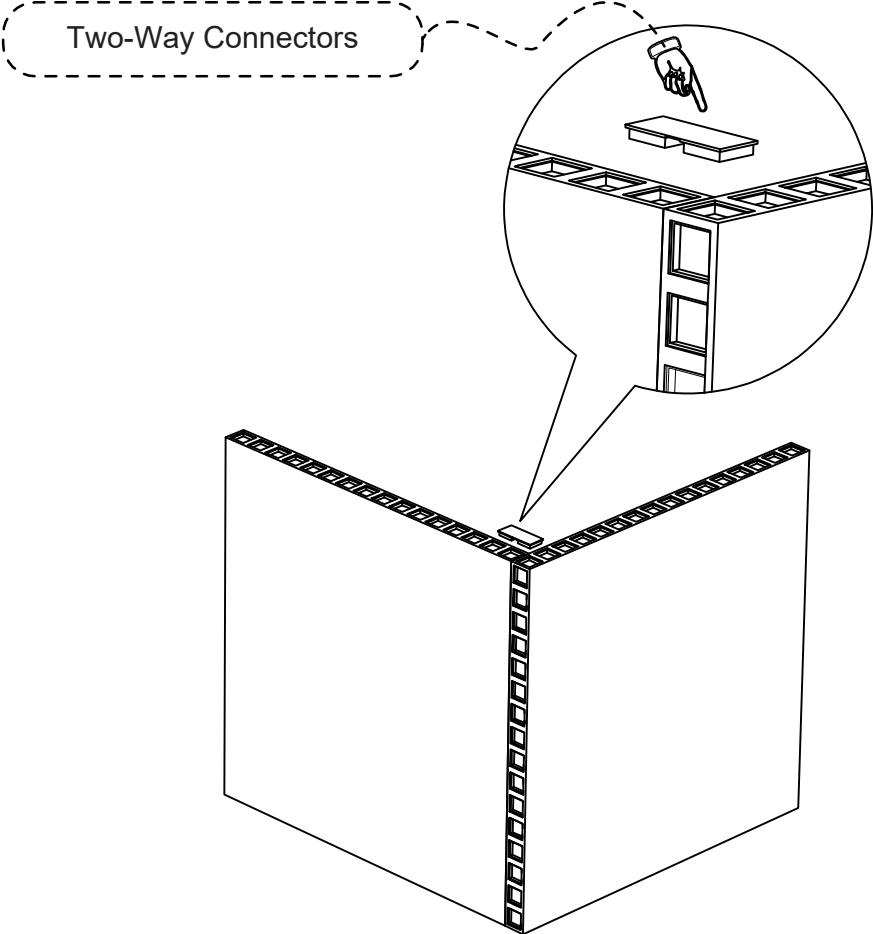
1



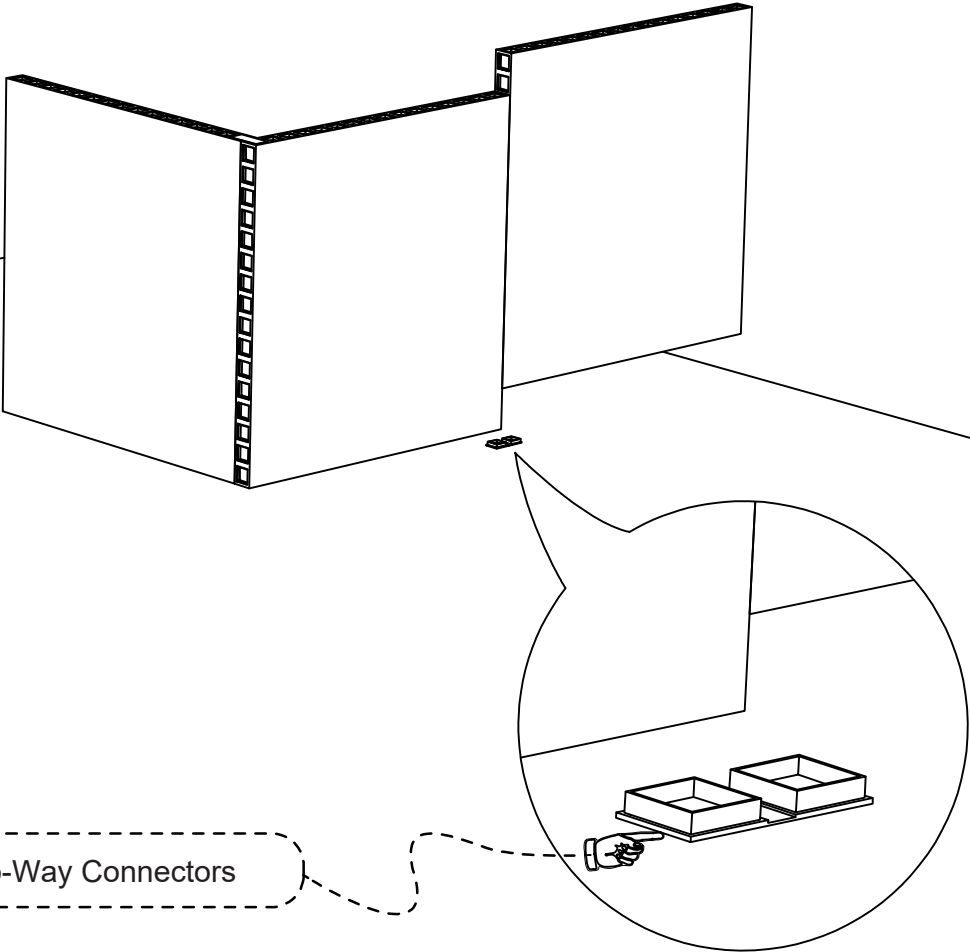
2



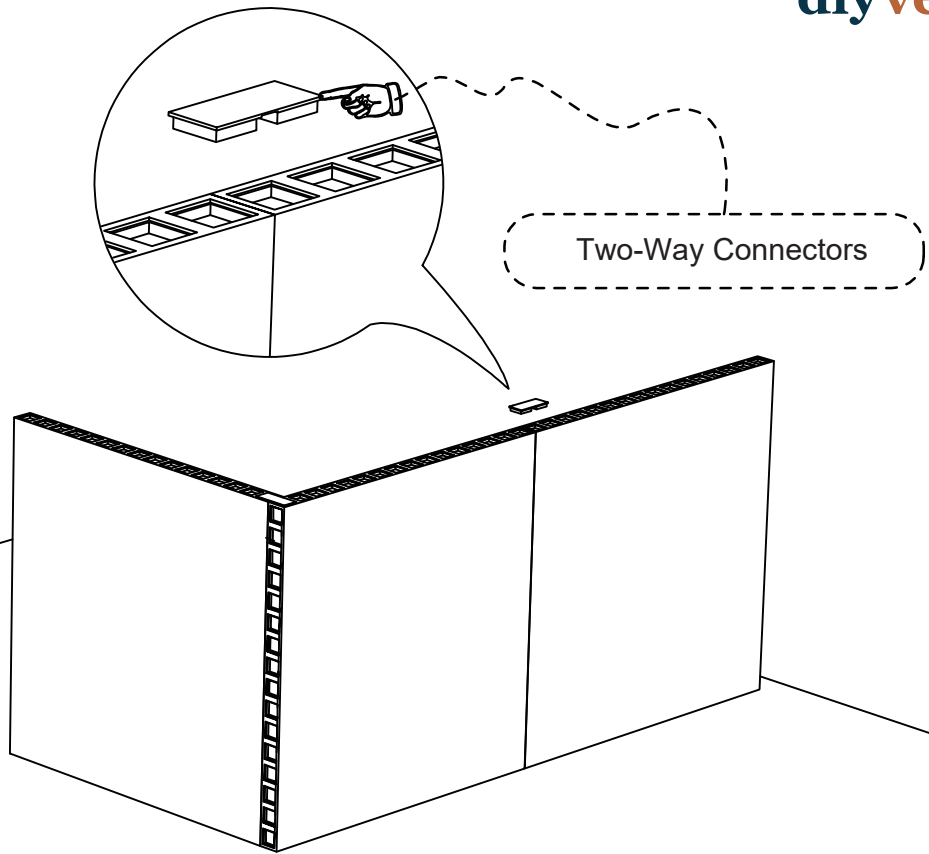
3



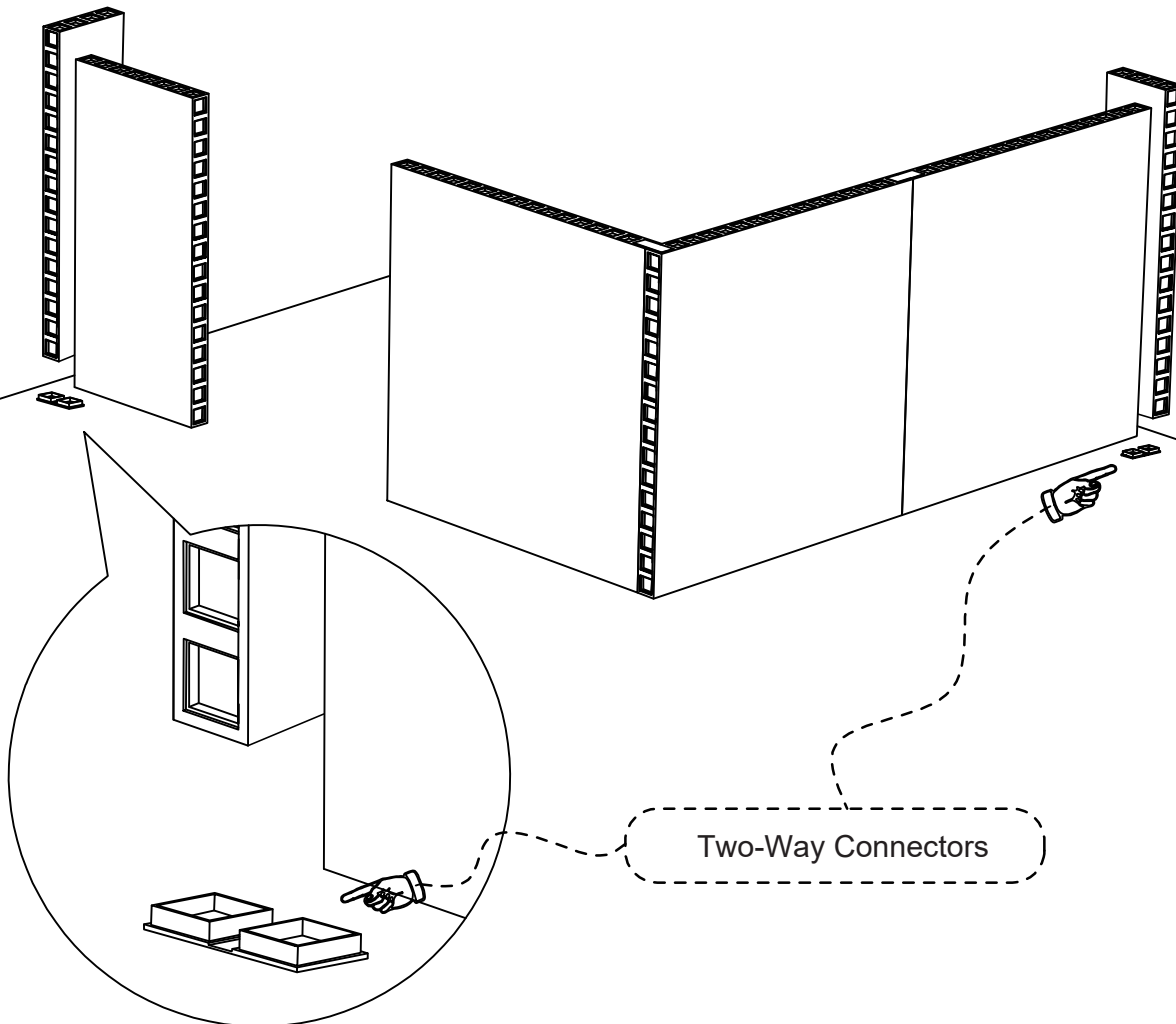
4



5

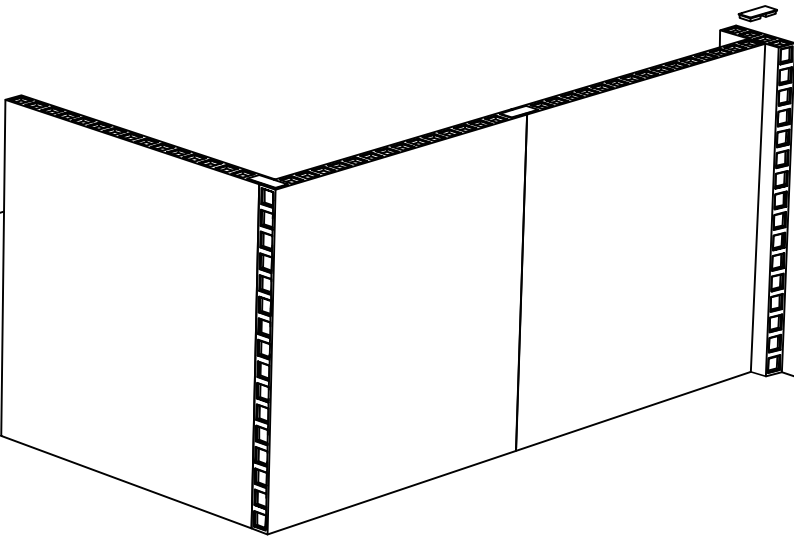
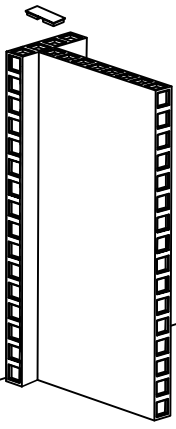
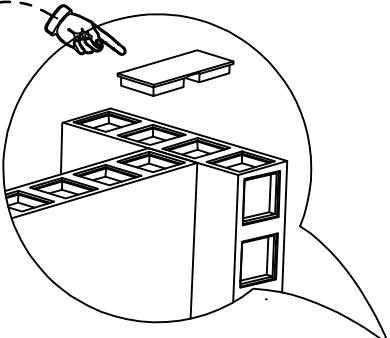


6



7

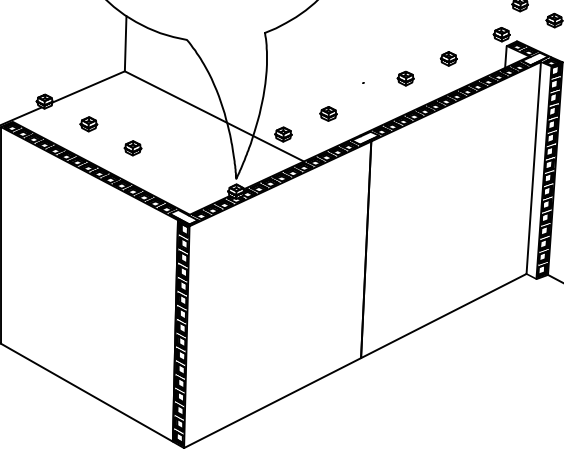
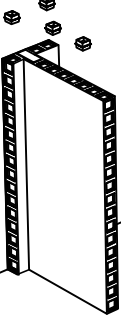
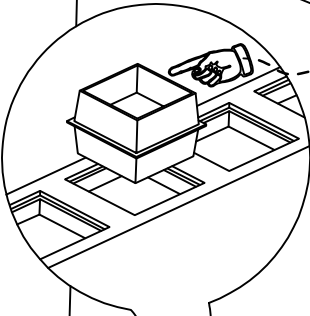
Two-Way Connectors



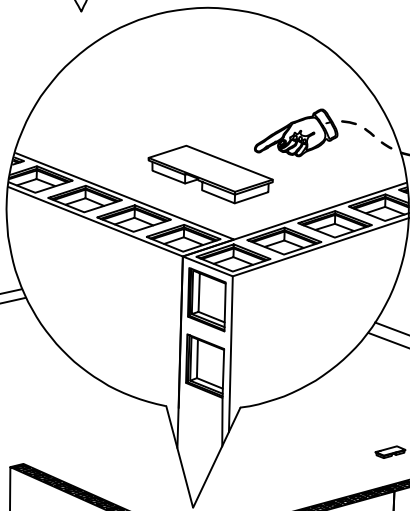
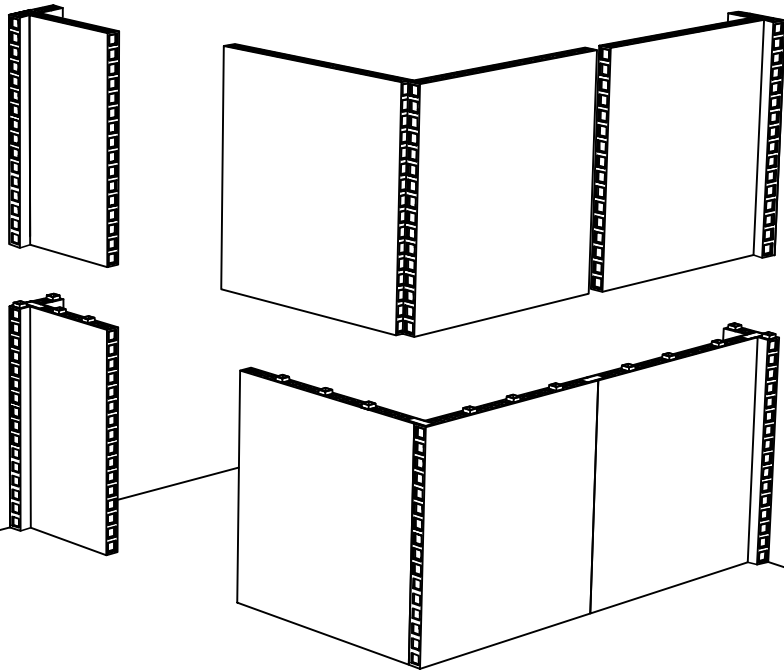
8

Lug Connectors

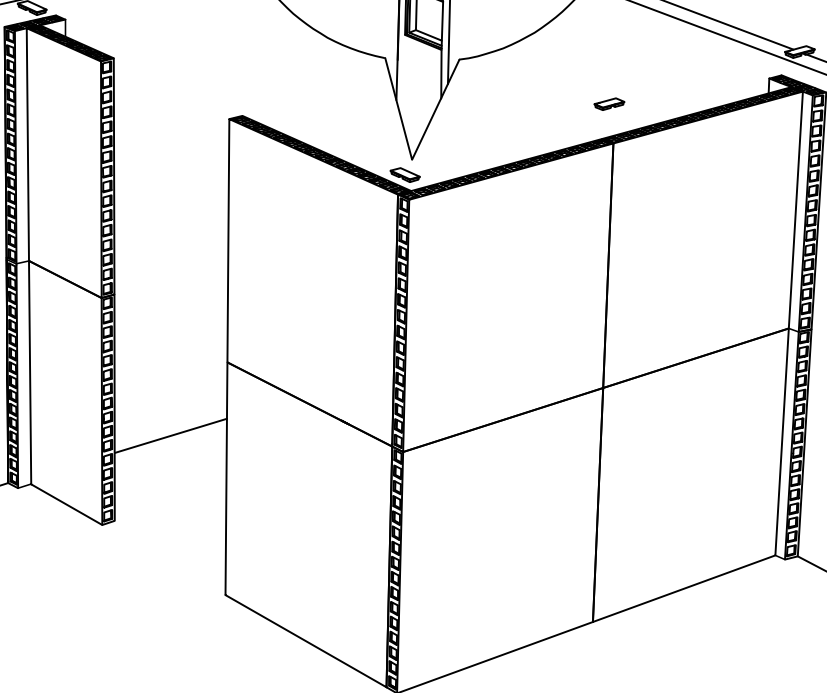
Insert a lug connector in every 2-3 hole. DO NOT insert lugs in every connector hole. Doing so will create a gap between panels.



9

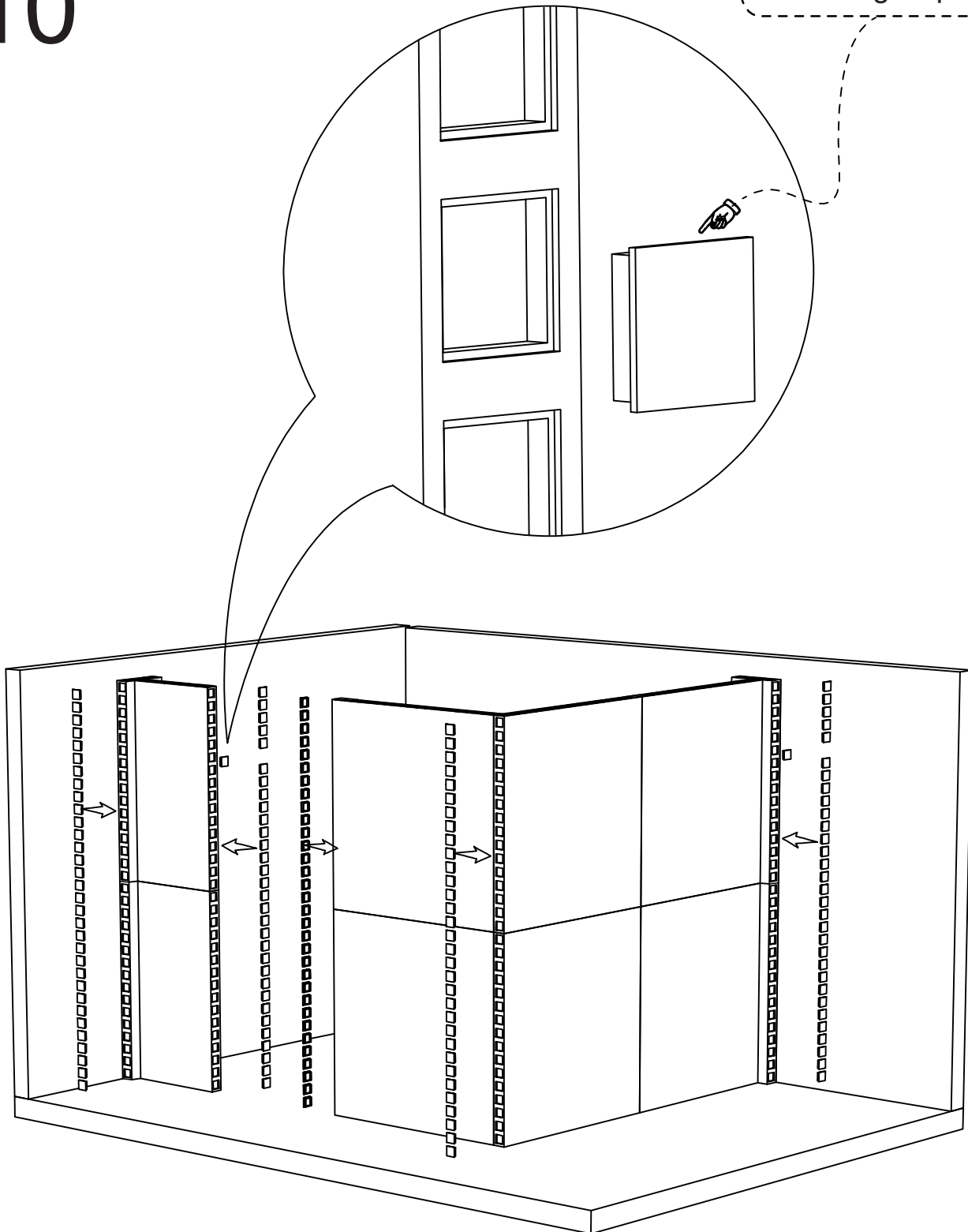


Two-Way Connectors



10

Finishing Caps



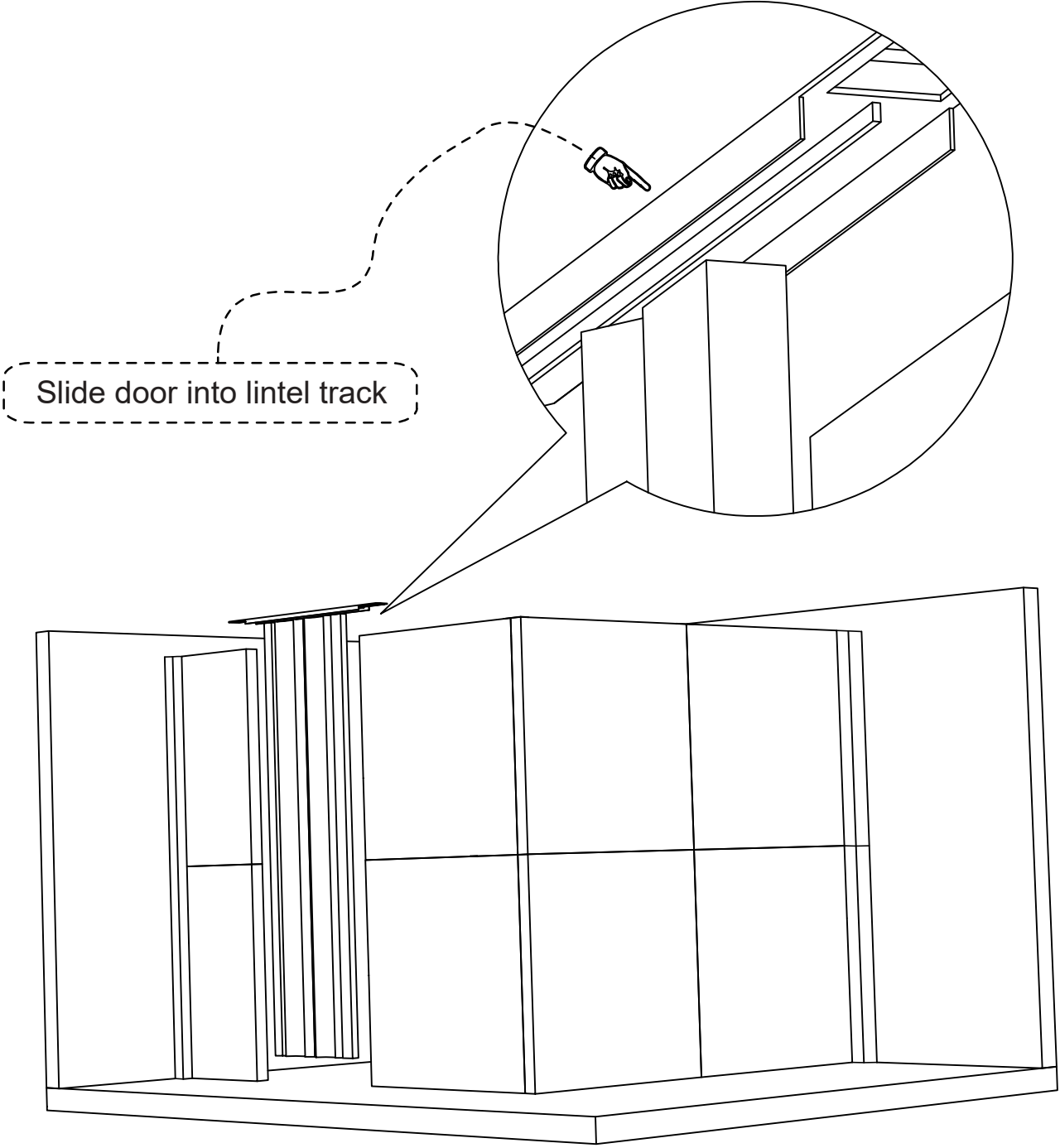
Close off exposed connector holes

1. **Use the included finishing caps to close of the exposed connectors holes at the corner**
Simply insert the finishing caps into the open connectors until you hear a click
2. **Close off the connector holes in the door frame, to prepare for installing the door**
This is necessary to attach the door frame.

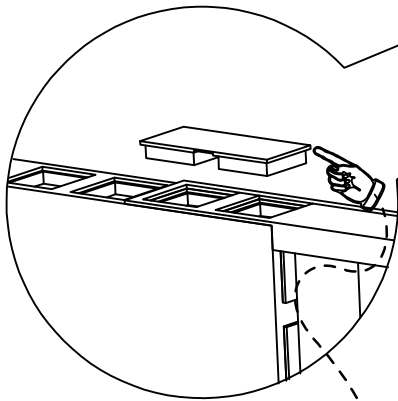
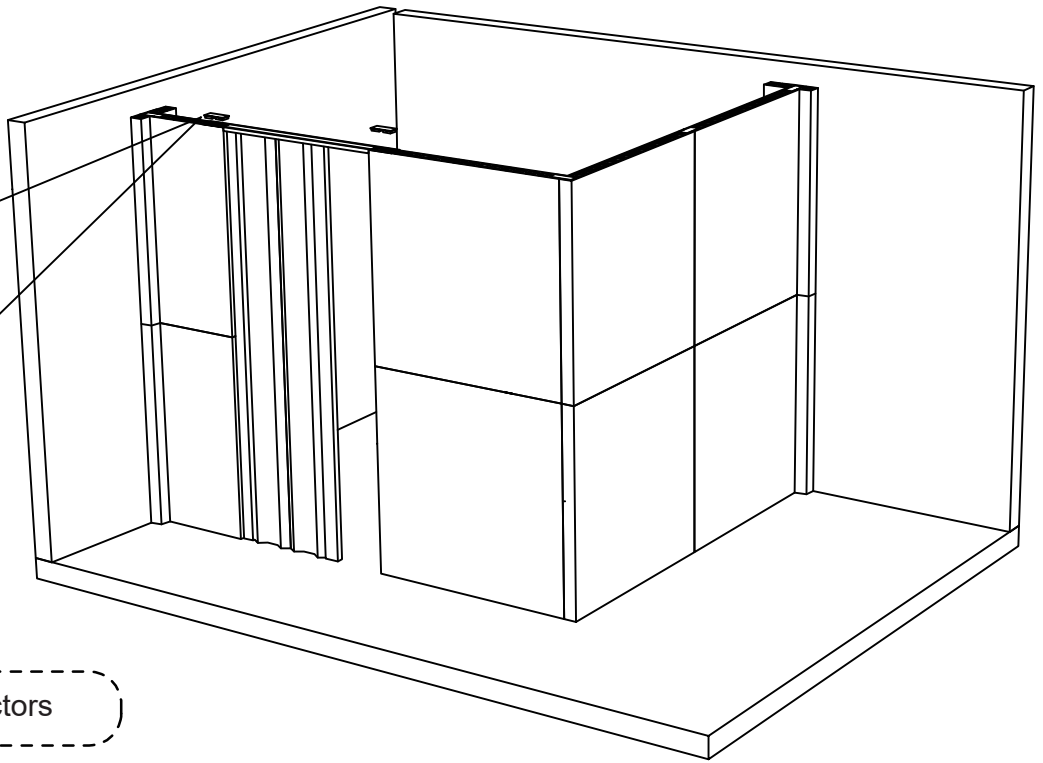
Note

The finishing caps can be challenging to get out once installed, so make sure to save this step for last when you have confirmed everything looks good.

11 DOOR INSTALLATION

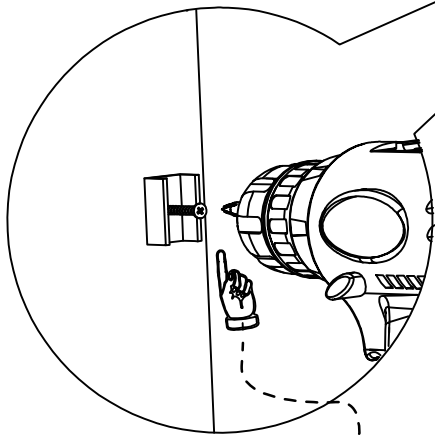
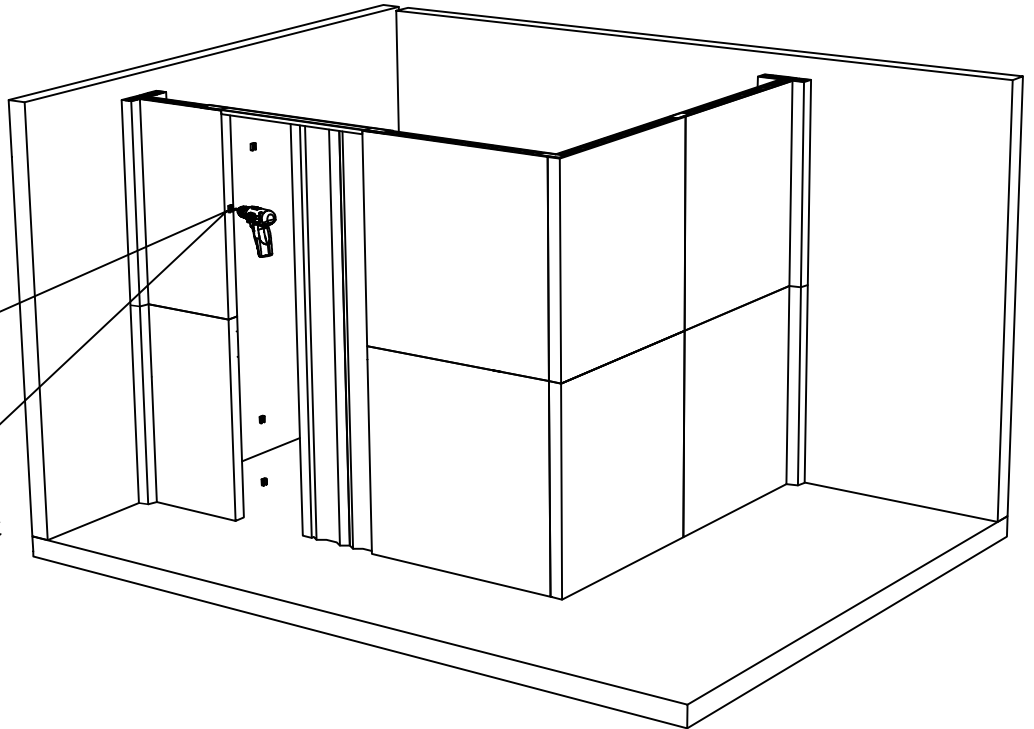


12

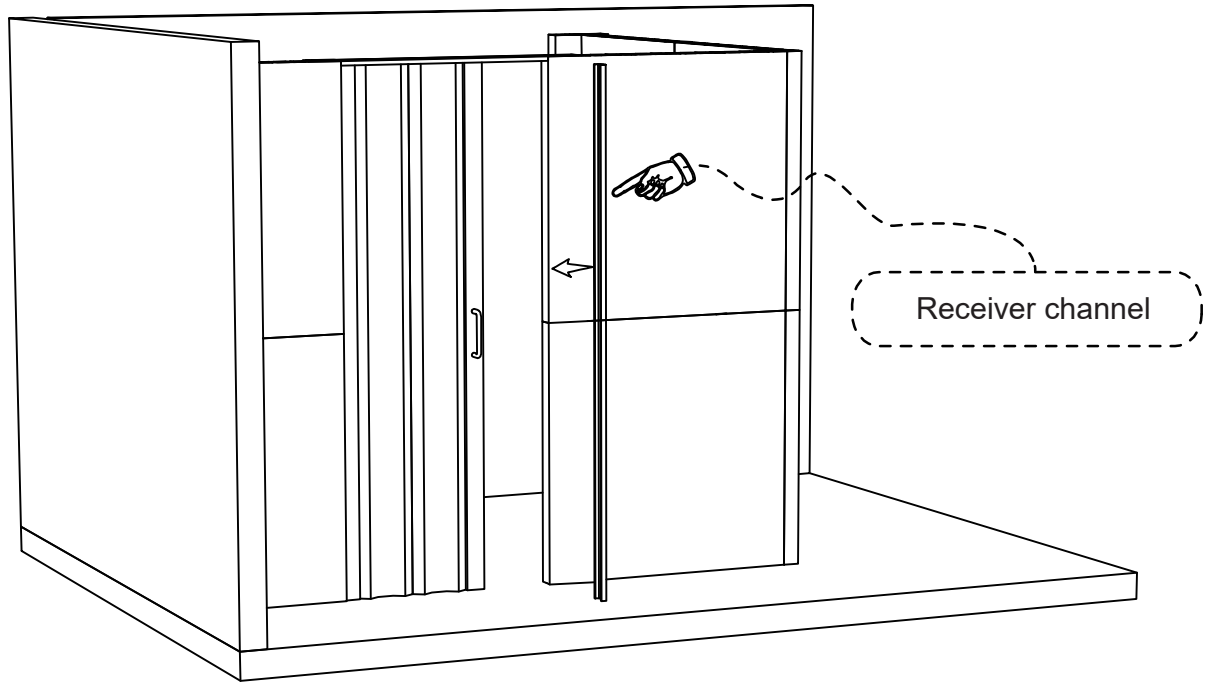


Two-Way connectors

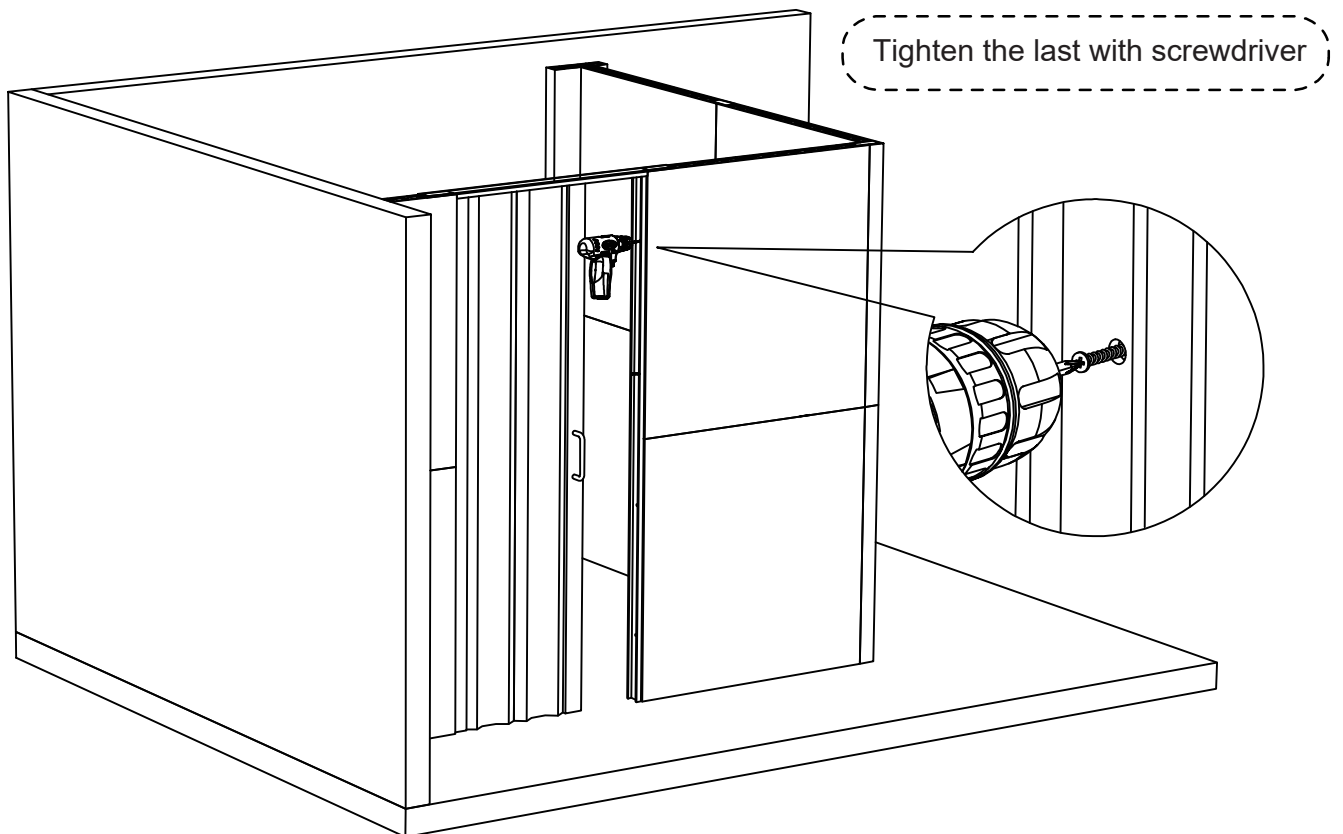
13

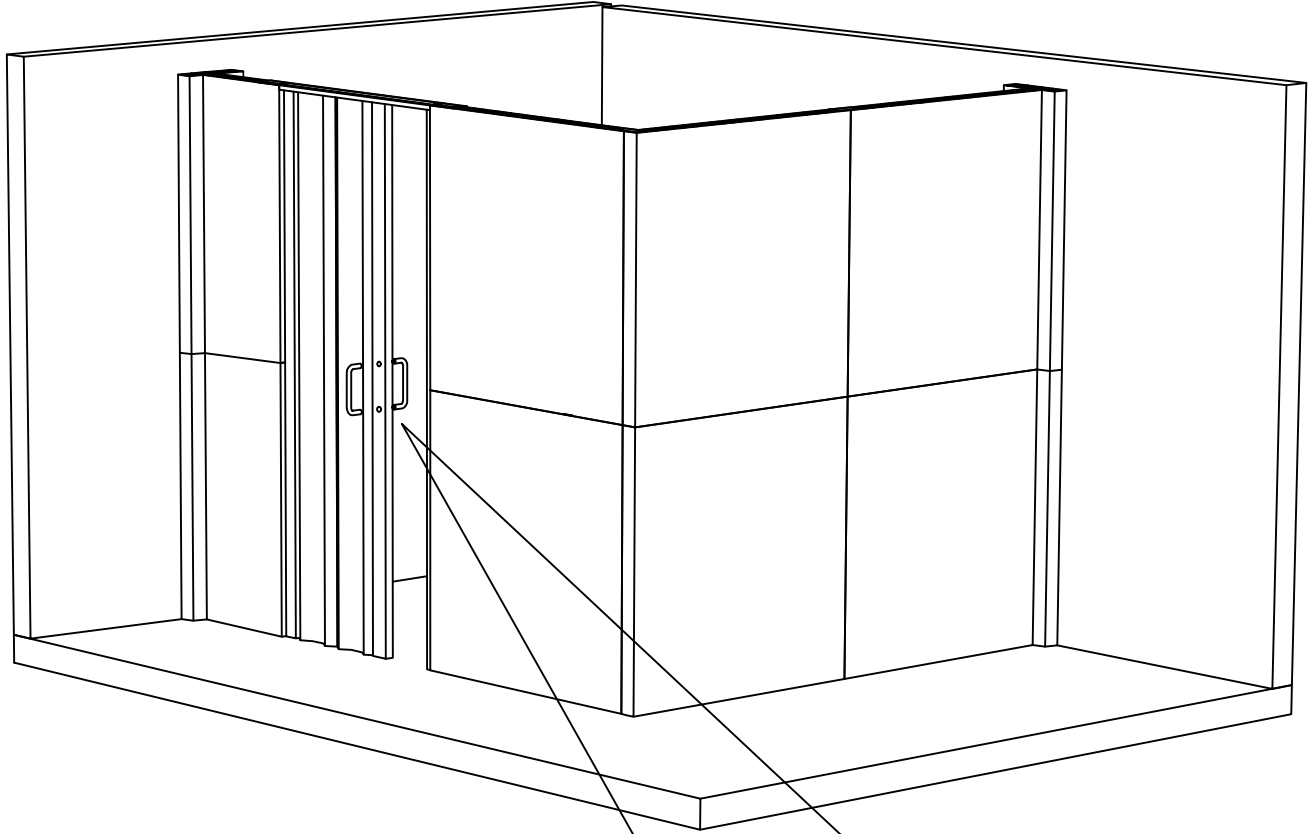


Fasten door support clips
on the side you want the
door fixed to



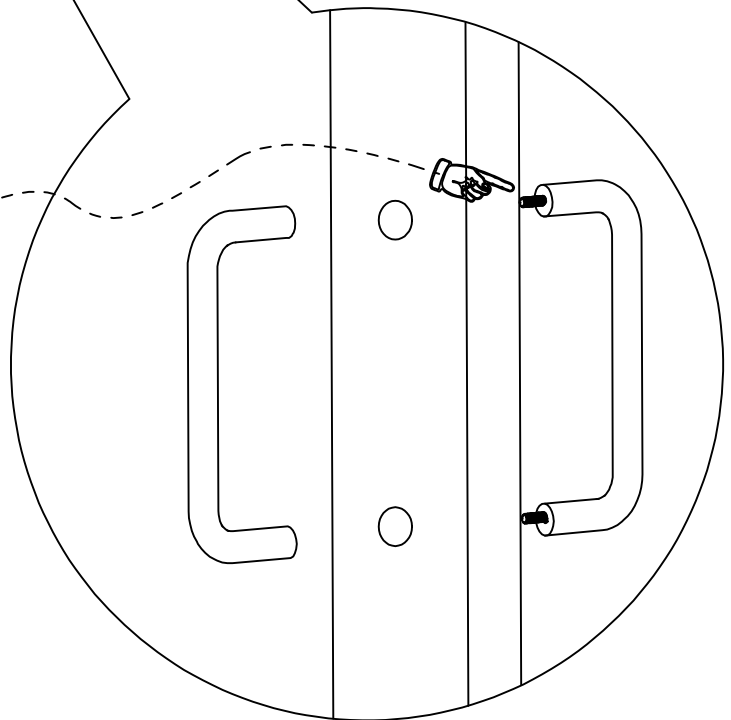
14





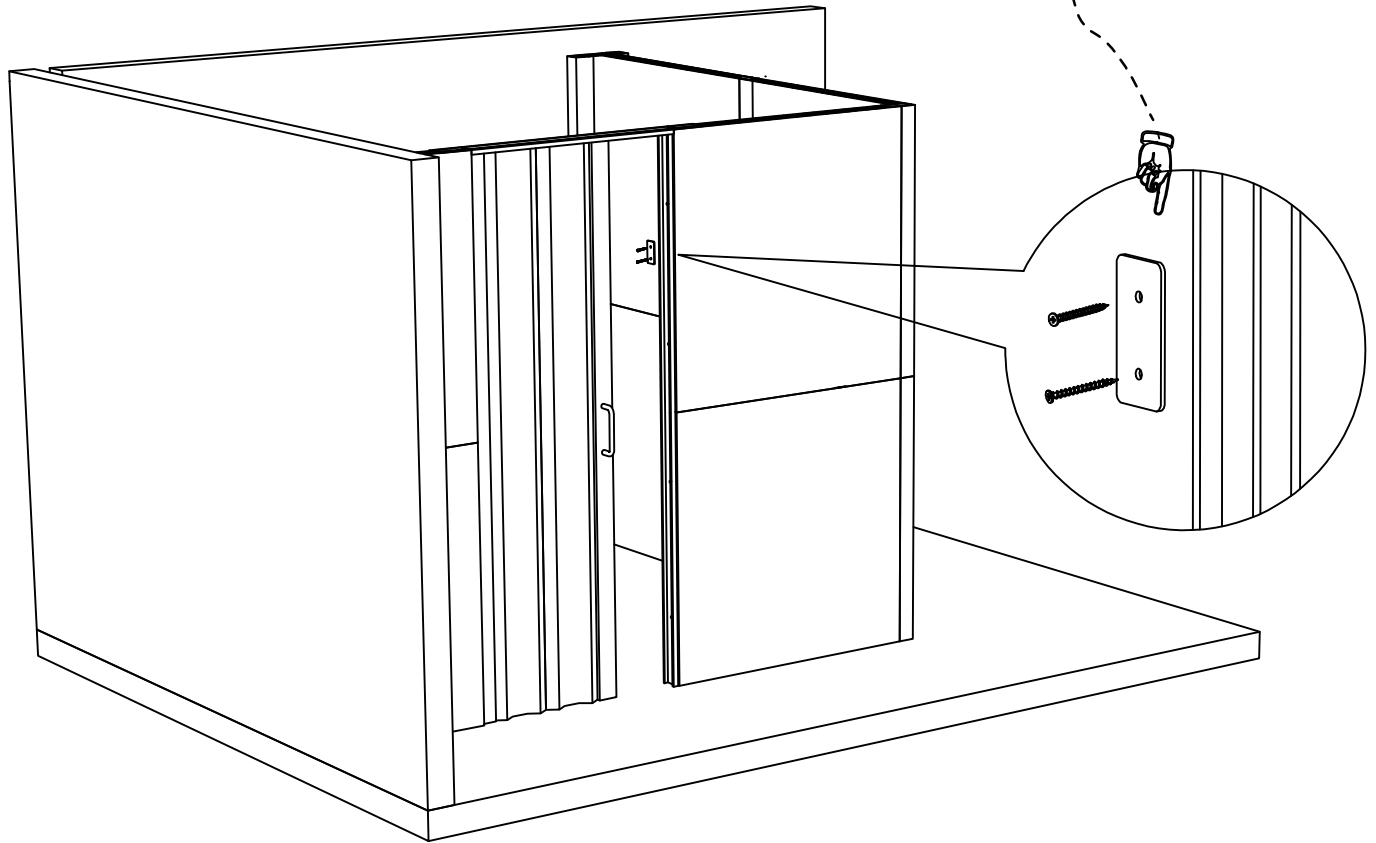
Insert 2 door handle pins into one door handle and slot the pins through holes on door panel unit.

Attach the other side of the door handle to the pins and squeeze together.



16

Fasten magnetic plate on
receiver channel

**diyversify**

We are available for assembly support via
chat, phone or email Monday-Friday 9AM-5PM (EST)

hello@diyversify.com
+1 855-348-4330