

# Hush Panel

## Assembly Instructions



For any questions regarding your Hush Panel Cubicle Kit please reach out to us at  
+1 (888) 594-6067 or  
hello@diyversify.com

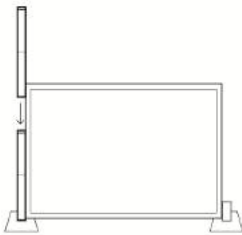
1.



Building with the Hush Panel cubicle system is easy.

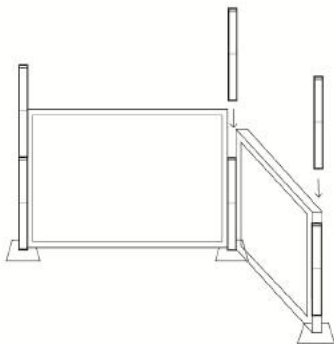
A good starting point is to arrange the feet first.

2.



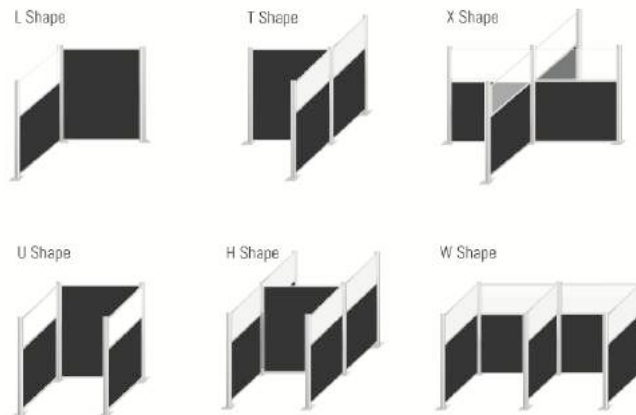
Next, place the panel between the feet, and slide the posts through the panel and into the feet.

3.



Repeat for each additional panel.

Some of the many possible configurations of the Hush Panel.



The Hush Panel is infinitely expandable, allowing it to grow along with your organization.

