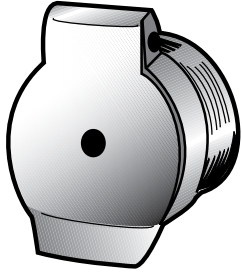


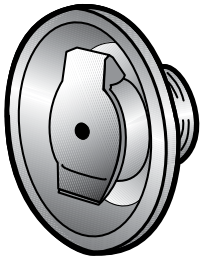
VALVES

All reference dimensions are nominal

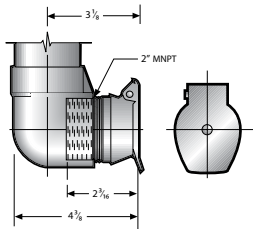


Inlet Valve

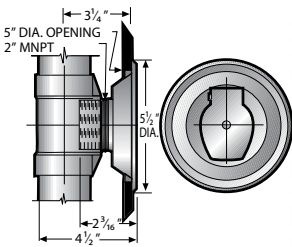
(For use with open tubing or when a flush mounting is not required)



Inlet Valve with Escutcheon
(For a flush mounted installation)



Valve shown in 90° adapter elbow (Part No. AE-211)



Valve with escutcheon and tee fitting. Can also be used with 90° adapter elbow

KEY

FNPT = Female National Pipe Thread
MNPT = Male National Pipe Thread

INLET VALVES

Heavy duty inlet valves provide for a quick connection of the male hose coupling to the vacuum cleaning system. These parts are designed for insertion into a 2" FNPT threaded fitting adapting to a 2-1/8" tube size. Valves have self-closing covers and are available in galvanized and stainless steel, as well as nickel plated models. Escutcheon plates allow for a more attractive wall installation.

The same body is used for all three valves...only the bore varies. IV-150 and IV-200 use a slight taper for hose adapter retention. IV-200-CLIP and IV-180 utilize a clip on the valve lid for retention instead. Hose adapters are constructed of heavy-duty galvanized steel.

INLET VALVES

BORE	MNPT	PART #
1.5"	2.0"	IV-150
1.8"	2.0"	IV-180
2.0"	2.0"	IV-200
2.0"	2.0"	IV-200-CLIP

ESCUTCHEON PLATES

TYPE	PART #
Zinc	10253
Stainless	23939
Nickel	25079

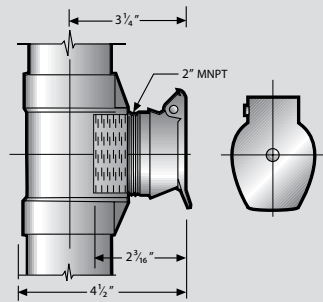
INLET VALVE ACCESSORIES FOR INSTALLATION & OPERATION

HOSE ADAPTER PART #	HOSE SIZE	INLET VALVE PART#	WRENCH PART #
HA-150	1-1/2" ID	IV-150	VW-150
HA-180	1-1/2" ID	IV-180	VW-180
HA-200	2" ID	IV-200	VW-180
HA-200-RING	2" ID	IV-200-CLIP	VW-180

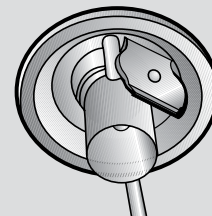
PREMIUM INLET VALVES

H-P inlet valves are also available in stainless steel, nickel plated, and with an electric micro switch.

Call us for details.



Valve shown in tube fitting (Part No. AT-212)



Inlet Valve with escutcheon being tightened into place with installation wrench

FNPT = Female National Pipe Thread