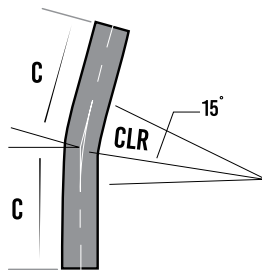


# STANDARD PVC LONG RADIUS BENDS

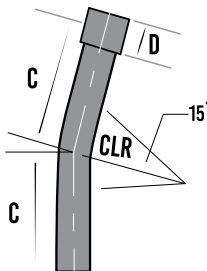
## 15° LONG RADIUS BENDS

OD	CLR	C (CENTER TO END DIMENSION)	D	WALL THICKNESS	PART #
4-5/8"	20"	6.5"	-	.120"	P451520
4-5/8"	20"	6.5"	5"	.120"	P451520-C*

\* Slip Coupling one end. Extends 2.5" beyond tube length (C).  
 • NOMINAL STANDARD TANGENT IS 4"



15° LONG RADIUS BEND  
(STRAIGHT END)

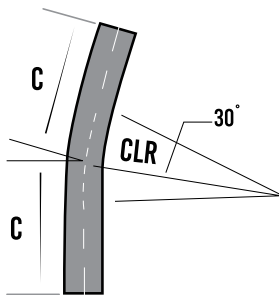


15° LONG RADIUS BEND  
(ONE END EXPANDED)

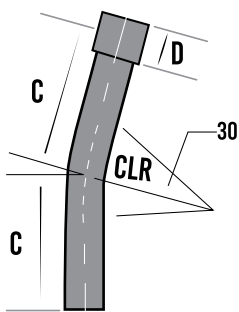
## 30° LONG RADIUS BENDS

OD	CLR	C (CENTER TO END DIMENSION)	D	WALL THICKNESS	PART #
4-5/8"	20"	9.25"	-	.120"	P453020
4-5/8"	20"	9.25"	5"	.120"	P453020-C*

\* Slip Coupling one end. Extends 2.5" beyond tube length (C).  
 • NOMINAL STANDARD TANGENT IS 4"



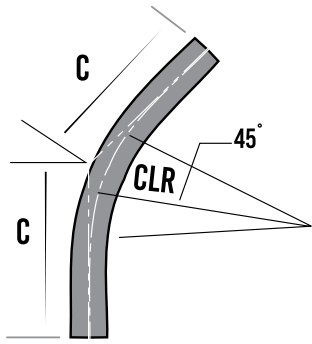
30° LONG RADIUS BEND  
(STRAIGHT END)



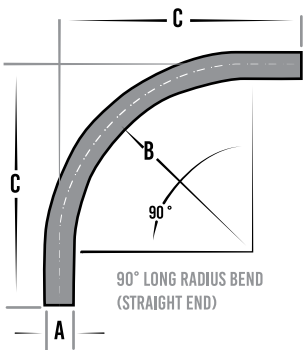
30° LONG RADIUS BEND  
(ONE END EXPANDED)

# STANDARD PVC LONG RADIUS BENDS

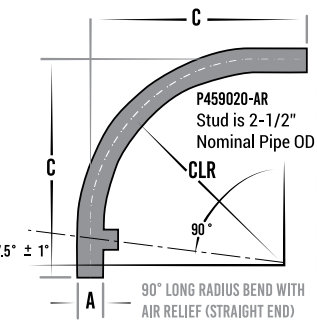
All reference dimensions are nominal



45° LONG RADIUS BEND  
(STRAIGHT END)



90° LONG RADIUS BEND  
(STRAIGHT END)



90° LONG RADIUS BEND WITH  
AIR RELIEF (STRAIGHT END)

## 45° LONG RADIUS BENDS

OD	CLR	C (CENTER TO END DIMENSION)	D	WALL THICKNESS	PART #
4-5/8"	20"	12.25"	-	.120"	P454520
4-5/8"	20"	12.25"	5"	.120"	P454520-C*

\* Slip Coupling one end. Extends 2.5" beyond tube length (C).  
• NOMINAL STANDARD TANGENT IS 4"

## 90° LONG RADIUS BENDS

OD	CLR	C (CENTER TO END DIMENSION)	D	WALL THICKNESS	PART #
4-5/8"	20"	24"	-	.120"	P459020
4-5/8"	20"	24"	5"	.120"	P459020-C*

\* Slip Coupling one end. Extends 2.5" beyond tube length (C).  
• NOMINAL STANDARD TANGENT IS 4"

## 90° LONG RADIUS BENDS WITH AIR RELIEF

OD	CLR	C (CENTER TO END DIMENSION)	D	WALL THICKNESS	PART #
4-5/8"	20"	24"	-	.120"	P459020-AR

• NOMINAL STANDARD TANGENT IS 4"

### KEY

OD.....Outside Diameter  
ID.....Inside Diameter  
CLR.....Center Line Radius