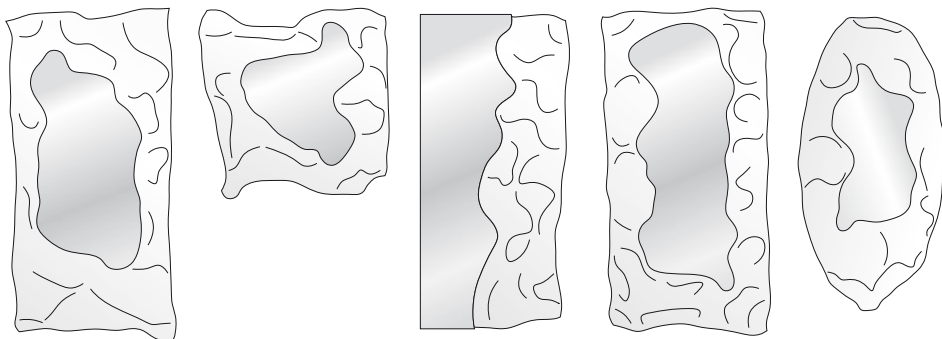


CHRISTINE & PHANTOM

**CH/1910 - CH/11 -
PH/1990 - PH/1998 - PH/1890**

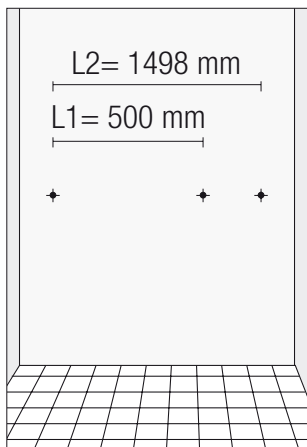
Cod.7.003.Rev.01 data: 17/06/15

SCHEDA PRODOTTO
PRODUCT INFORMATION
FICHE PRODUIT
PRODUKTDATENBLATT

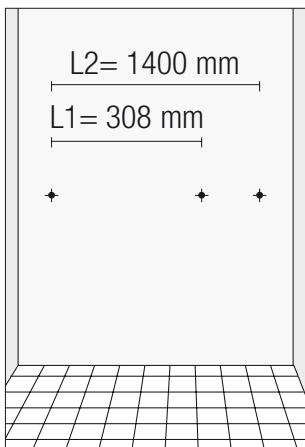


PHANTOM

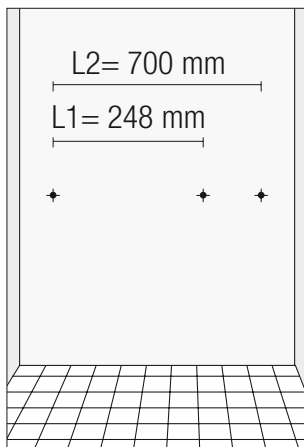
Art. PH/1990



Art. PH/1998

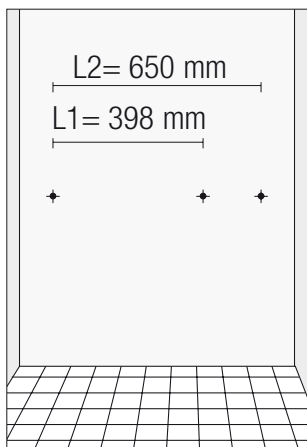


Art. PH/1890

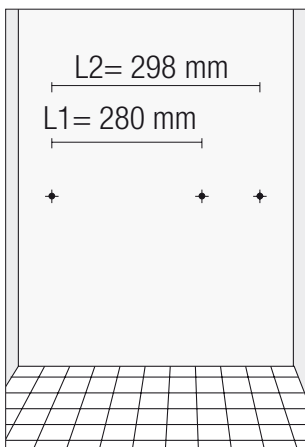


CHRISTINE

Art. CH/1910



Art. CH/11



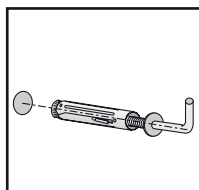
Praticare i fori alla distanza L1 per la posizione verticale e a L2 per la posizione orizzontale.

Drill the two holes at a distance of L1 for the vertical position and of L2 for the horizontal one.

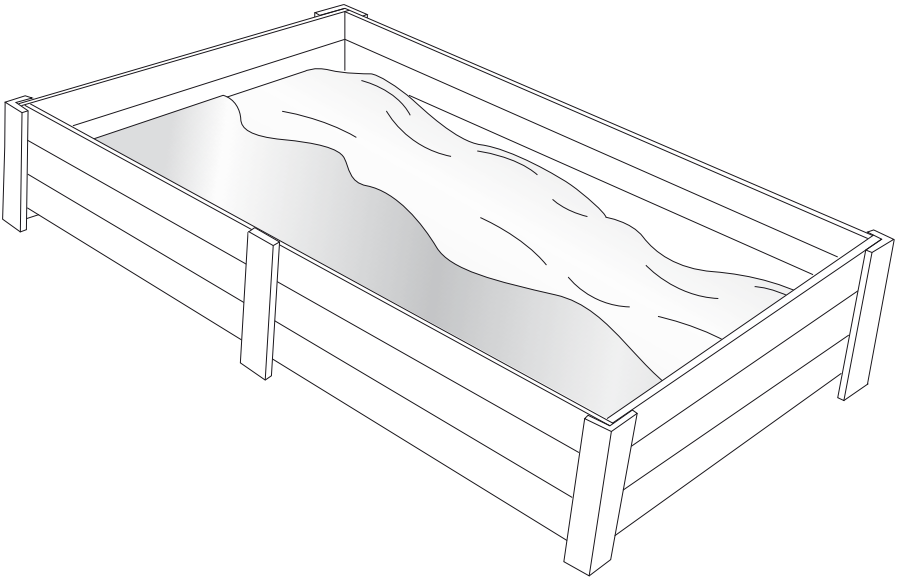
Perforer les deux trous à la distance du L1 pour la position verticale et du L2 pour celle horizontale.

Um der Spiegel vertikal zu hängen, löchern Sie die zwei Bohrung in einer Entfernung von L1 durch.

Um der Spiegel horizontal zu hängen, löchern Sie die zwei Bohrung in einer Entfernung von L2 durch.



1



2



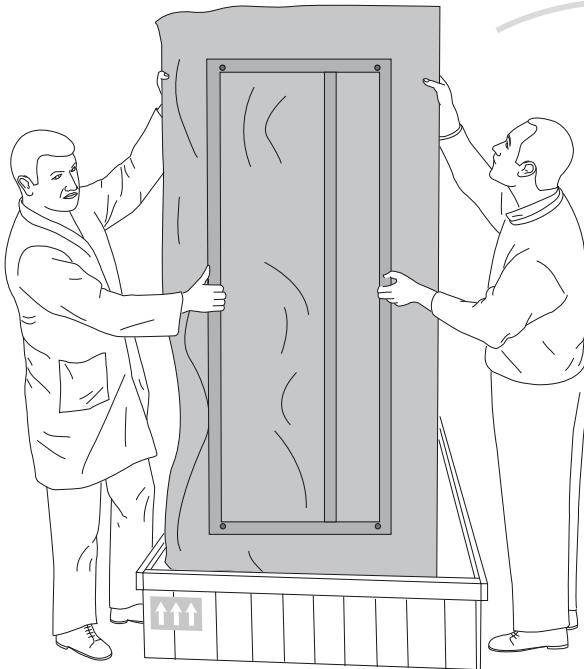
Assicurarsi di avere una buona presa sul telaio e sulla cornice prima di sollevare lo specchio.

Before raising the mirror, make sure that the grip on the iron and glass frame is tight.

Avant de soulever le miroir, assurer la prise du cadre et de la structure en fer.

Vor Spiegelsaufheben, sich versichern den starken griff der Rahmen und des Eisgestells.

3



Non appoggiare lo specchio sugli spigoli della cornice.

Do not lay the mirror on the corners of the frame.

Ne pas poser le miroir sur les coins de la bordure.

Stellen Sie nicht das Spiegel über die Kanten des Rahmen.

Inclinare lo specchio facendo presa sul telaio e la cornice; infilare i due fori nei ganci a parete.

Incline the mirror gripping the structure and the frame; fit the two holes into the wall-hooks.

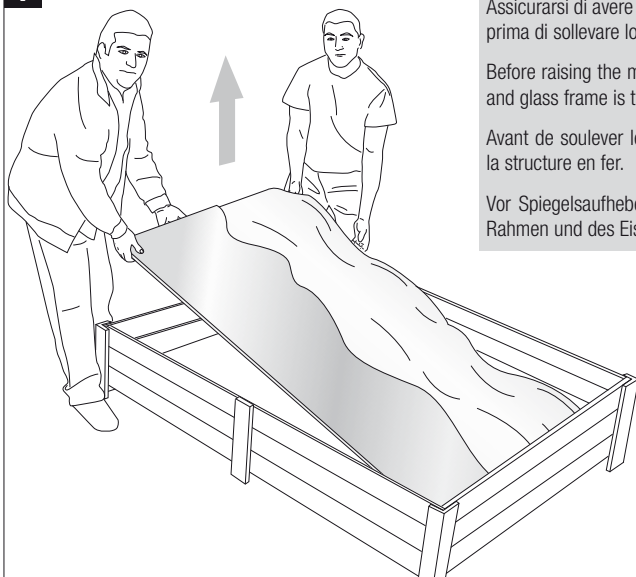
Incliner le miroir en empoignant le châssis et la bordure; introduire les deux trous dans les clous à crochet.

Um der Spiegel schrägzustellen, die Struktur und der Rahmen ergreifen; die zwei Löcher in den Mauerhaken stecken.

PHANTOM FREESTANDING

Art. PH/1990 - PH/1998

1



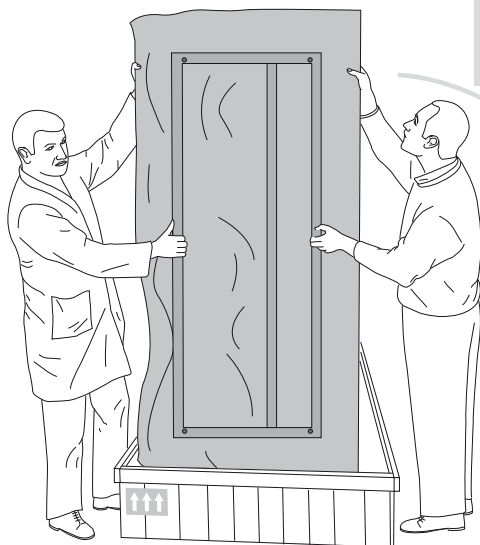
Assicurarsi di avere una buona presa sul telaio e sulla cornice prima di sollevare lo specchio.

Before raising the mirror, make sure that the grip on the iron and glass frame is tight.

Avant de soulever le miroir, assurer la prise du cadre et de la structure en fer.

Vor Spiegelaufheben, sich versichern den starken griff der Rahmen und des Eisengestells.

2

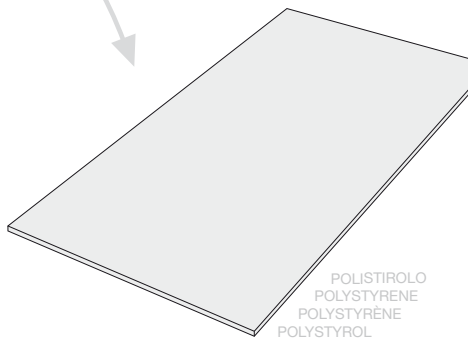


Non appoggiare lo specchio sugli spigoli della cornice.

Do not lay the mirror on the corners of the frame.

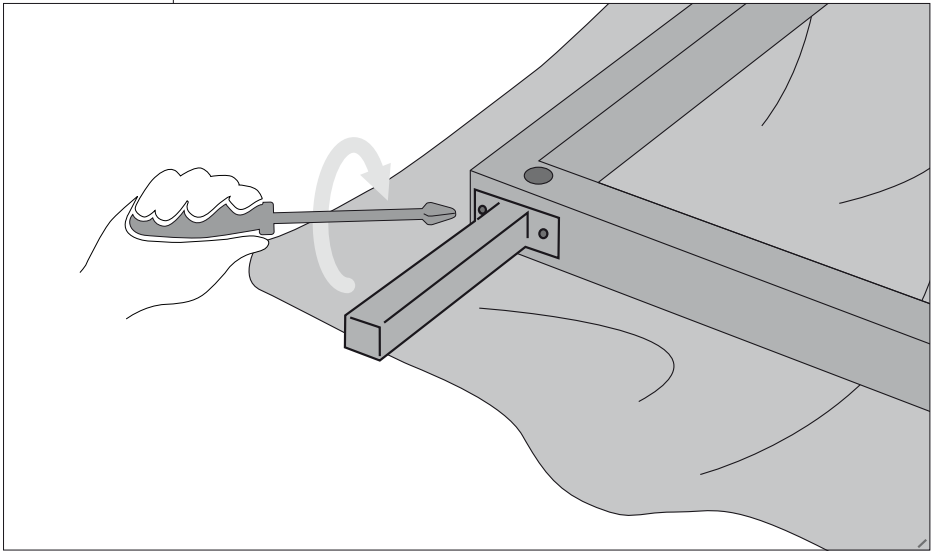
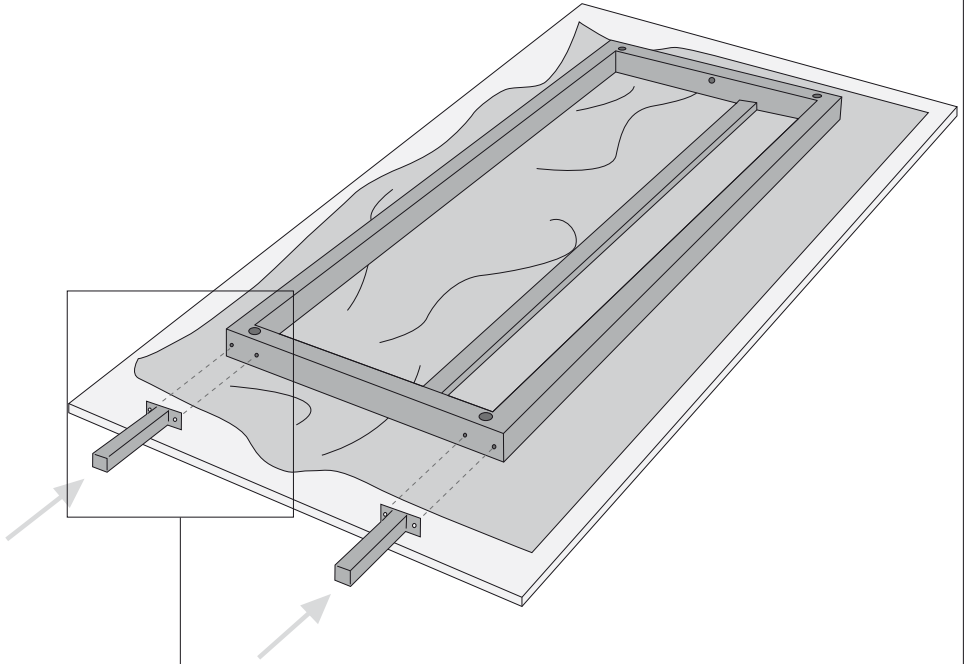
Ne pas poser le miroir sur les coins de la bordure.

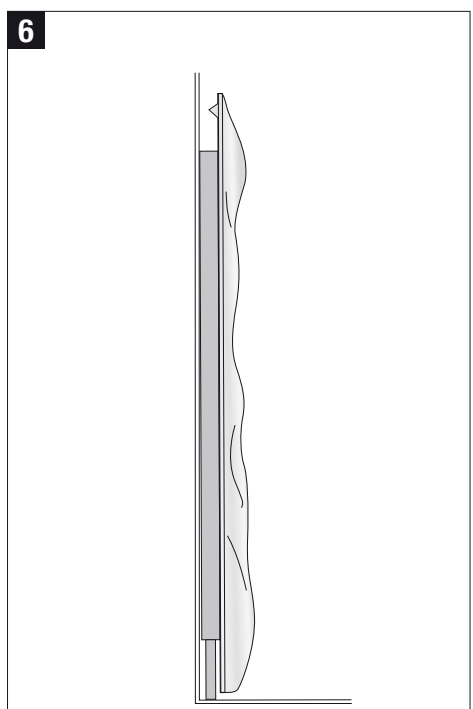
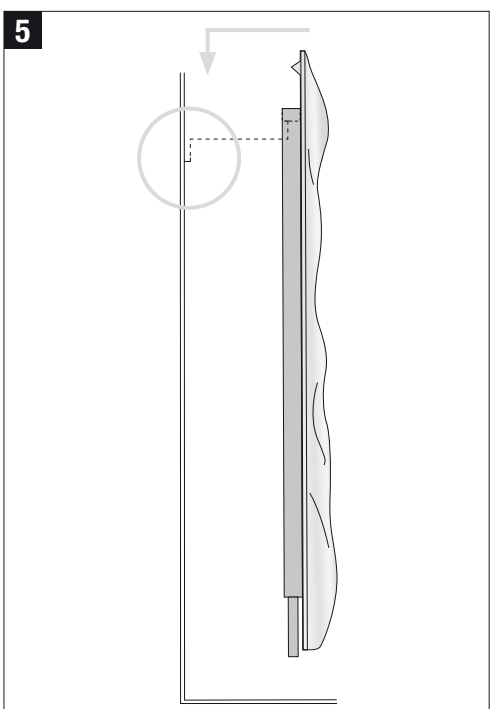
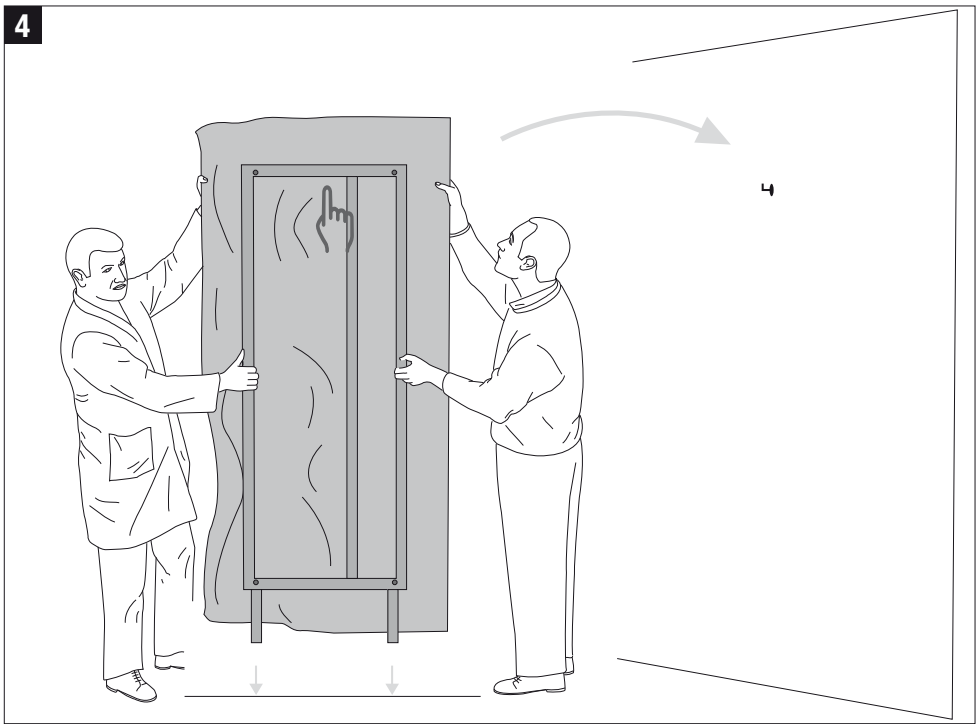
Stellen Sie nicht das Spiegel über die Kanten des Rahmen.



POLISTIROLO
POLYSTYRENE
POLYSTYRÈNE
POLYSTYROL

3







CHRISTINE - PHANTOM Mirror

Art. CH/1910 - CH/11 - PH/1990 - PH/1998 - PH/1890

Read this information carefully before using the product and keep it for future reference. Failure to comply carefully with the instructions which follow may put the safety of the product and its users at risk.

1 Product description and intended use

• Product description and composition

The CHRISTINE - PHANTOM Mirror - Art. Code CH/1910 - CH/11 - PH/1990 - PH/1998 - PH/1890 is a Mirror intended as an item of indoor furniture. It is manufactured from curved float plate glass. The CHRISTINE - PHANTOM Mirror was produced at the FIAM ITALIA SPA factory at Via Ancona 1/B, 61010 Tavullia (PU), Italy - Tel: +39.0721.20051 - Fax: +39.0721.202432 - www.fiamitalia.it

• Intended use

The article known as CHRISTINE - PHANTOM is designed and built to serve as a Mirror for indoor use and must therefore be used only for this purpose and no other.

For more information about the product's intended use please refer to section "**2 SAFETY INSTRUCTIONS**".

2 Safety instructions

To ensure that our product is used in the conditions of the utmost safety, we urge you to comply with the safety instructions provided below. If in doubt or if you require further information concerning the use of the product, please contact us on the telephone numbers stated in this document.

• Transporting and storing the CHRISTINE - PHANTOM Mirror in the original packaging

The CHRISTINE - PHANTOM Mirror, in its original packaging, must be transported taking the greatest care to prevent knocks and shaking. It must be stored indoors in a dry place.

Place the CHRISTINE - PHANTOM Mirror in the original packaging, in the horizontal position. The arrows on the label on the packaging must be vertical and pointing upward.

Never place weights or loads in excess of 100 Kg on the original packaging, since exceeding this weight may cause the breakage of the article.

The CHRISTINE - PHANTOM Mirror in the original packaging weighs about 60 kg (art.CH/11), about 95 kg (art.CH/1910), about 93 kg (art.PH/1990), about 100 kg (art.PH/1998), about 73 kg (art.PH/1890). It must therefore be placed on surfaces capable of supporting its weight.

• Removing the packaging - assembly

To remove the original packaging of the CHRISTINE - PHANTOM Mirror, proceed as follows.

- a) Place the packaging crate horizontal. The arrows on the labels on the outside must be vertical and pointing upward.
- b) Open the packaging crate and remove the sheets of polystyrene. Do not use hammers, saws, cutters or other tools which may damage the CHRISTINE - PHANTOM Mirror.
- c) Remove the CHRISTINE - PHANTOM Mirror from its packaging. At least two people are required for this operation. Wear gloves which assure a good grip on the float glass.
- d) Fix the Mirror to the wall following the instructions provided.

2 Safety instructions

• Intended Use

Once removed from its original packaging, the CHRISTINE - PHANTOM Mirror must be placed on a perfectly flat surface.

All the CHRISTINE - PHANTOM Mirror's supporting bases must be resting firmly on the surfaces on which it is placed; otherwise, the CHRISTINE - PHANTOM Mirror may lose stability, making it hazardously unstable.

Weights, objects and loads must be evenly distributed across the surfaces of the CHRISTINE - PHANTOM Mirror and well balanced in order to ensure stability and safety. Unevenly placed or unbalanced weights, objects and loads on the surfaces of the CHRISTINE - PHANTOM Mirror may reduce its stability and thus its safety.

Sharp items or anything which may damage the glass (such as chemical products containing hydrofluoric acid) should not be placed on the surface of the CHRISTINE - PHANTOM Mirror. If objects of this kind are placed on the surface of the CHRISTINE - PHANTOM Mirror in spite of this warning, you are urged to take adequate precautions to prevent damage to the float glass.

When placing sharp objects on the surface of the CHRISTINE - PHANTOM Mirror, a mat of insulating material (such as rubber, cork, plastic or leather) thick enough to dampen any impacts should be placed between the float glass surface and the sharp objects. Never place items which may damage the float glass (such as chemical products containing hydrofluoric acid) on the surface.

• Warnings - Incorrect use and Non-recommended use

Below, we provide a series of warnings and examples of incorrect uses or procedures which reduce the safety of the CHRISTINE - PHANTOM Mirror.

The series of warnings and incorrect uses or procedures provided below is purely guideline and does not cover all the possible circumstances for incorrect or non-recommended uses of the CHRISTINE - PHANTOM Mirror, which must be evaluated on each occasion.

Do not sit or stand upon the float glass surface of the CHRISTINE - PHANTOM Mirror.

Do not use the float glass surface of the CHRISTINE - PHANTOM Mirror as a chopping surface.

Do not strike the CHRISTINE - PHANTOM Mirror with hammers or pointed items which may crack or shatter the glass.

Do not use powder detergents or detergents containing abrasives for cleaning the CHRISTINE - PHANTOM Mirror, since they may damage the float glass.

Do not use the CHRISTINE - PHANTOM Mirror for DIY work or for mechanical, electrical or electronic repairs.

In normal conditions of use, do not tilt the product by more than 10°. Any higher angles might reduce the stability of the CHRISTINE - PHANTOM Mirror.

Never place items at temperatures below -30°C (such as items just taken out of the freezer), or with temperatures above +30°C (such as foods just removed from the oven) on the CHRISTINE - PHANTOM Mirror; exposing the surface to stresses of this kind may damage the glass, reducing its strength and thus its safety level.

Never expose the CHRISTINE - PHANTOM Mirror to intense heat sources (such as stoves or ovens); exposing the table to stresses of this kind may damage the float glass, reducing its strength and thus its safety level. Do not expose the CHRISTINE - PHANTOM Table to temperatures below -10°C or weather; exposure of this kind may damage the glass, reducing its strength and thus its safety level. The CHRISTINE - PHANTOM Mirror should be placed well away from items such as coat racks or ornaments which may accidentally fall onto its surface.

• Moving the Mirror

To ensure that the CHRISTINE - PHANTOM Mirror is moved in the conditions of the utmost safety, we urge you to comply with the instructions provided below:

The Mirror must always be handled by at least two people, wearing gloves which assure a good grip on the float glass.

3 Cleaning and care

• Cleaning

Some household and furniture cleaning products may damage the float glass from which the CHRISTINE - PHANTOM Mirror is made.

When cleaning the glass of the CHRISTINE - PHANTOM Mirror, use a damp cloth or leather with washing up liquid or soft soap if necessary. Do not use powder detergents or detergents containing abrasives for cleaning the CHRISTINE - PHANTOM Mirror, since they may scratch the float glass.

• Care

The CHRISTINE - PHANTOM Mirror requires regular care to keep it in peak condition and ensure safety.

If the CHRISTINE - PHANTOM Mirror or any part of it is chipped or broken, contact the producer or the sales outlet where the product was purchased for the technical and shape specifications of the CHRISTINE - PHANTOM Mirror or the damaged part, remembering to quote the identification code and the letter code embossed on the curved element.

4 Disclaimer

The manufacturer refuses all liability for improper uses of the CHRISTINE - PHANTOM Mirror and/or for failure to comply with the contents of this technical information resulting in injury and/or damage.

5 Technical specifications

Materials

Frame:

Curved silver-coated float glass,
6 mm thick

Mirror:

Silver-coated float glass,
5 mm thick

Supporting frame:

Tubular steel with matt metallised black paint

The product is made with glass recyclable to 100%.



Any load heavier than stated above may reduce the table's stability and/or safety and/or cause breakage.