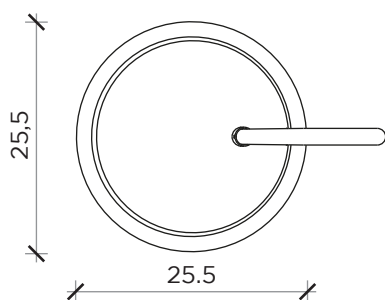


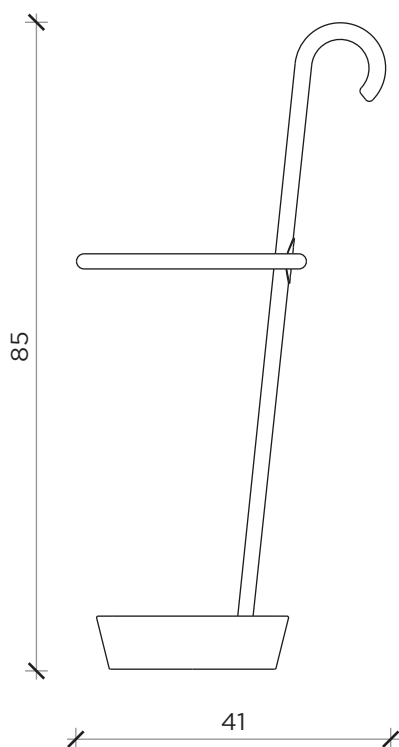
# Scheda tecnica

## Data sheet

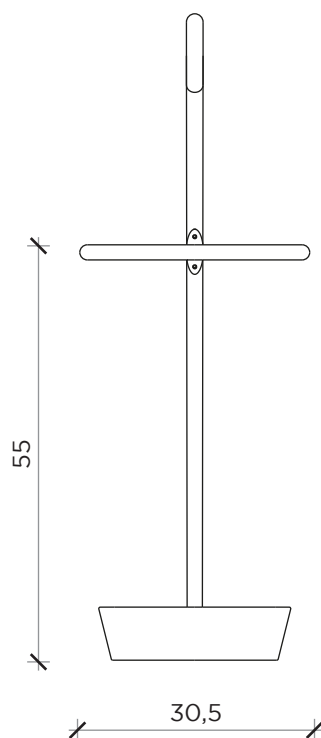
PIANTA | PLAN



FRONTE | FRONT



LATO | SIDE



**RENE'**

Portaombrelli | *Umbrella stand*

Designer:  
Anno | Year:  
Materiali | Materials:

Marcantonio  
2017  
Portaombrelli in faggio curvato con base in marmo Marquinia o laccata grigia | *Curved ash wood umbrella stand with Marquinia marble or gray lacquered base*