

STILNOVO

Technical sheet
Scheda tecnica

Diphy

Lamp for Floor / Lampada da Terra

Design - Mirco Crosatto | 2016

Click on image for more information - Clicca sull'immagine per maggiori informazioni



ENG

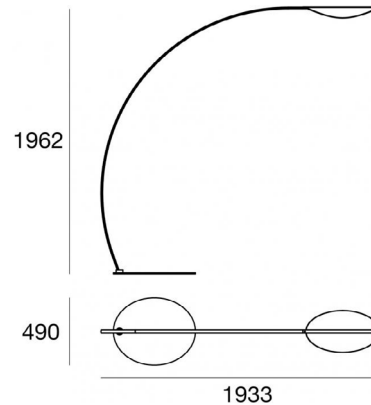
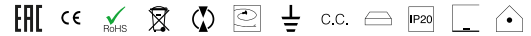


ITA

Diphy_FL



Floor Lamp | 220-240 V
200 topLED 25 W DC - 30 W AC | CRI 90
8165



Technical data	
Construction year	2016
Type	Floor Lamp
Installation position	Floor
Installation environment	Indoor
Light Source	LED
Total Power	30 W
Source lumens	3294 lm
Voltage	220 - 240 V AC
Frequency	60 - 50 Hz
CCT / Tone	3000 K
Colour rendering index	90 Ra
C.C. / C.V.	AC
Safety class	1
IP	IP20
Optical compartment IP	IP40
Glow wire test	650°
Direct mounting on normally flammable surfaces	Yes
CE	Yes
Driver included	Driver
Dimmable article	PUSH DIM
Directional	No
Tilting	No
Walk-over	No
Drive-over	No
Cable included	Yes
Electric socket	Type F+E
Cable length	2.5 m
Resin potting	No
Type of light emission	Double emission
Net weight	19.040 Kg
Electrostatic discharge protection	No
Surge protection	No

Finishing casing	
Material	Aluminium
Colour	Embossed white RAL 9003
Processing	Coating

Finishing diffuser	
Material	PMMA
Colour	transparent
Processing	Laser engravings

Finishing mounting frame	
Material	metal
Colour	Embossed white RAL 9003
Processing	Coating

Diphy_FL



Floor Lamp | 220-240 V | 200 topLED 25 W DC - 30 W AC | CRI 90 | Base
8165

Double emission floor lamp for indoor application. The warm white LED light source with a diffused light distribution is composed of 200 topLED LEDs with CCT of 3000 K and a CRI 90; the source luminous flux is 3294 lm, with a 131.8 lm/W nominal luminous efficacy.

The device body is made of aluminium and features a embossed white ral 9003 finish, processed by means of coating; the diffuser is made of pmma with a laser engravings treatment; the mounting frame is made of metal, with a embossed white ral 9003 finish, processed by means of coating. The ingress protection degree is IP20; the total weight is of 19.040 kg.

The total absorbed power is 30 W. The power supply cable is included and features a 2.5 m length.

The device features protection class I and can be floor-mounted.

Compliant with the EN 60598-1 standard and its specific provisions.

Energy efficiency class

This product contains 2 light sources of energy efficiency class E.

Illuminotecnical Features

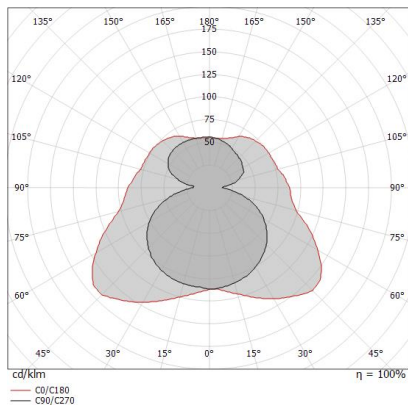
Light Output Ratio (LOR)	75 %
Source lumens	3294 lm
Delivered lumens	2489 lm
Consumption	30 W
Luminaire efficacy	82 lm/W
Colour temperature	3000 K
Standard Deviation of Colour Matching	3 Step MacAdam
Colour rendering index	90 Ra
Junction temperature (lighting fixture)	80
Standard Operating Ambient Temperature	25°C

LED Life / Failure Ratio

L80 B20 C0 80000h

OPTICAL

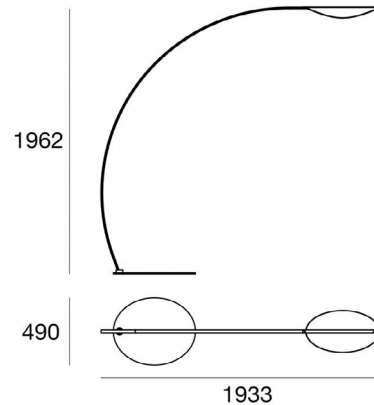
C0/C180 optics	180°
Light distribution simmetry	Asymmetrical



Diphy_FL



Lampada da terra | 220-240 V
200 topLED 25 W DC - 30 W AC | CRI 90
8165



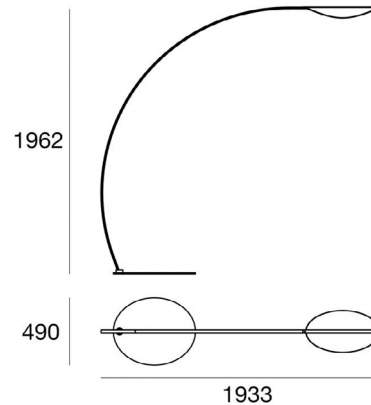
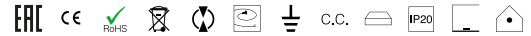
Dati tecnici	
Anno di realizzazione	2016
Tipologia	Lampada da terra
Posizione installativa	Pavimento
Ambiente installativo	Indoor
Sorgente luminosa	Tecnologia LED
Potenza totale	30 W
Flusso luminoso sorgente	3294 lm
Tensione	220 - 240 V AC
Frequenza	60 - 50 Hz
CCT / Tonalità	3000 K
Indice di resa cromatica	90 Ra
C.C. / C.V.	AC
Classe di isolamento	1
IP	IP20
IP vano ottico	IP40
Prova del filo incandescente	650°
Montaggio diretto su superfici normalmente infiammabili	Si
CE	Si
Driver incluso	Driver
Articolo dimmerabile	PUSH DIM
Orientabilità	No
Basculante	No
Calpestabilità	No
Carrabilità	No
Cavo incluso	Si
Presa elettrica	Tipo F+E
Lunghezza del cavo	2.5 m
Resinatura	No
Tipologia di emissione luminosa	Doppia emissione
Peso netto	19.040 Kg
Protezione scariche elettrostatiche	No
Protezione surge	No

Finitura corpo	
Materiale	alluminio
Colore	Bianco RAL 9003 goffrato
Lavorazione	verniciatura
Finitura diffusore	
Materiale	PMMA
Colore	Trasparente
Lavorazione	Incisione laser
Finitura montatura	
Materiale	metallo
Colore	Bianco RAL 9003 goffrato
Lavorazione	verniciatura

Diphy_FL



Floor Lamp | 220-240 V
200 topLED 25 W DC - 30 W AC | CRI 90
8165



Technical data	
Construction year	2016
Type	Floor Lamp
Installation position	Floor
Installation environment	Indoor
Light Source	LED
Total Power	30 W
Source lumens	3294 lm
Voltage	220 - 240 V AC
Frequency	60 - 50 Hz
CCT / Tone	3000 K
Colour rendering index	90 Ra
C.C. / C.V.	AC
Safety class	1
IP	IP20
Optical compartment IP	IP40
Glow wire test	650°
Direct mounting on normally flammable surfaces	Yes
CE	Yes
Driver included	Driver
Dimmable article	PUSH DIM
Directional	No
Tilting	No
Walk-over	No
Drive-over	No
Cable included	Yes
Electric socket	Type F+E
Cable length	2.5 m
Resin potting	No
Type of light emission	Double emission
Net weight	19.040 Kg
Electrostatic discharge protection	No
Surge protection	No

Finishing casing	
Material	Aluminium
Colour	Embossed white RAL 9003
Processing	Coating

Finishing diffuser	
Material	PMMA
Colour	transparent
Processing	Laser engravings

Finishing mounting frame	
Material	metal
Colour	Embossed white RAL 9003
Processing	Coating