



PICCOLO MC

Head Amplifier



Made in USA

Copyrights & Trademarks

© Copyright Hagerman Audio Labs 2023. All rights reserved. No part of this document may be photocopied, reproduced, or translated to another language without prior written consent.

Disclaimer

The information contained in this document is subject to change without notice. Hagerman Audio Labs shall not be liable for errors contained herein or for consequential damages in connection with the furnishing, performance, or use of this material.

Warranty

Hagerman Audio Labs warrants this product free of defects in materials and workmanship for a period of 5 years. If you discover a defect, Hagerman Audio Labs will, at its option, repair or replace the product at no charge to you provided you return it during the warranty period, transportation charges prepaid to Hagerman Audio Labs. This warranty does not apply if the product has been damaged by negligence, accident, abuse or misuse or misapplication, has been damaged because it has been improperly connected to other equipment or has been modified without the express written permission of Hagerman Audio Labs. This warranty is limited to the replacement or repair of this product and not to damage to equipment of other manufacturers. Any applicable implied warranties, including warranty of merchantability, are limited in duration to a period of the express warranty as provided herein beginning with the original date of purchase and no warranties, whether express or implied shall apply to the product thereafter. Under no circumstances shall Hagerman Audio Labs be liable for any loss, direct, indirect, incidental, special, or consequential damage arising out of or in connection with the use of this product.

Hagerman Audio Labs

Honolulu, HI 96822

808-383-2704

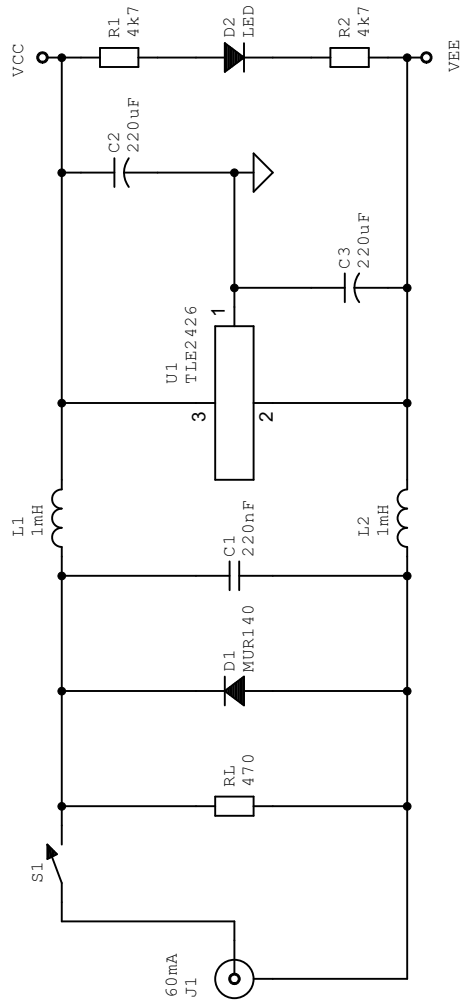
www.haglabs.com

Description

The Piccolo MC is a headamp that provides a linear pre-gain for MC cartridges. The active circuitry uses low noise matched discrete JFETs in a no-feedback gain and buffer configuration, offering very low noise and distortion. The sound is extremely neutral leaving no sonic signature. Both loading and gain are adjustable, providing extreme flexibility.

Specifications

Item	Specification
Loading	100, 200, 500, 1k
Gain	8, 14, 20, 24 dB
Output Impedance	300 Ohm
Bandwidth	10Hz to 600kHz
Distortion	0.1% @ 0.5V
Power	24Vdc



Hagerman Audio Labs
 PO Box 61911
 Honolulu, HI 96839

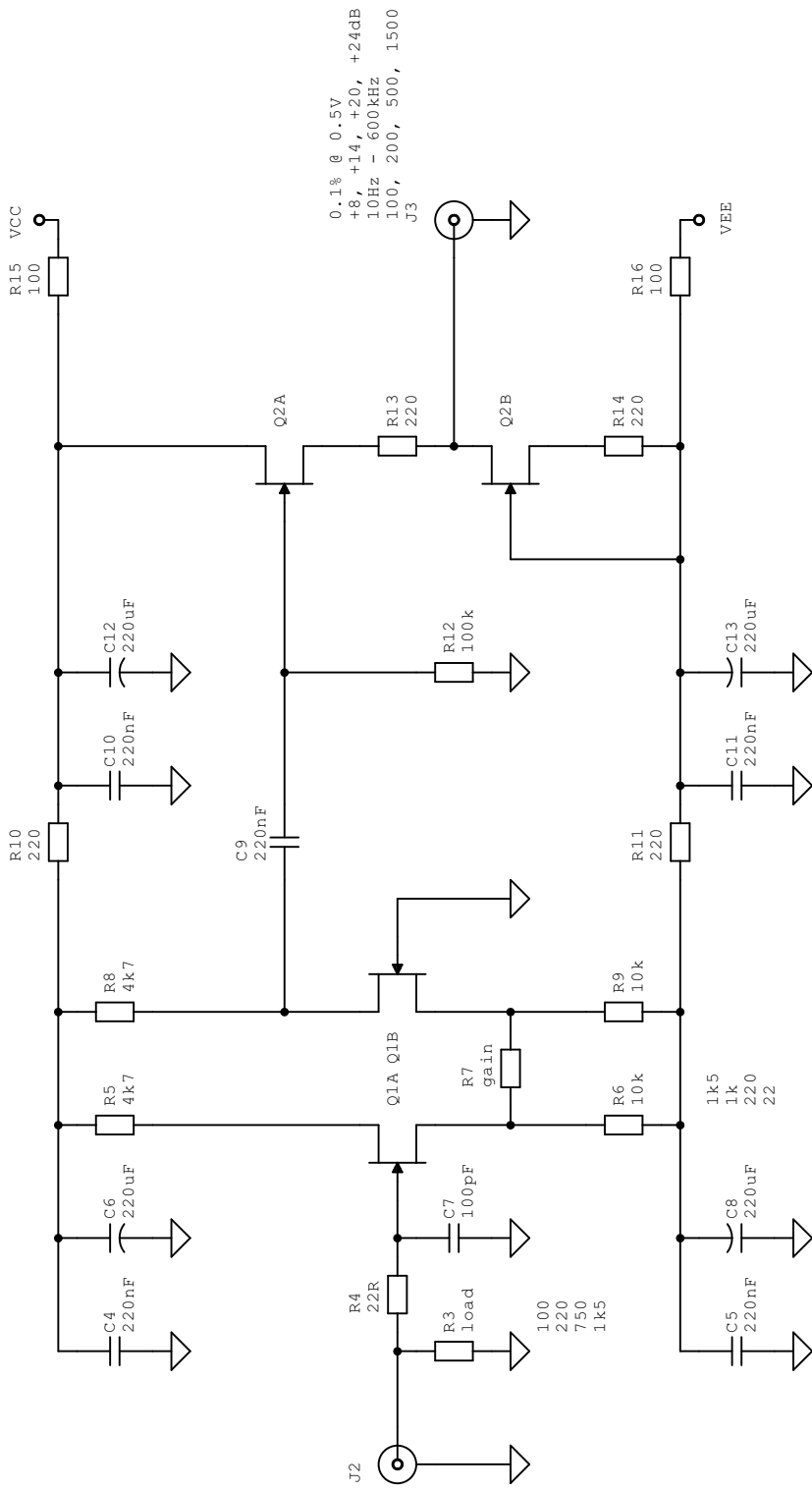
TITLE: PiccoloMC

Document Number:

REV:

Date: 4/28/2023 5:24:58 PM

Sheet: 1/2



Hagerman Audio Labs
 PO Box 61911
 Honolulu, HI 96839

TITLE: PiccoloMC

Document Number:

REV:

Date: 4/28/2023 5:21:58 PM

Sheet: 2/2