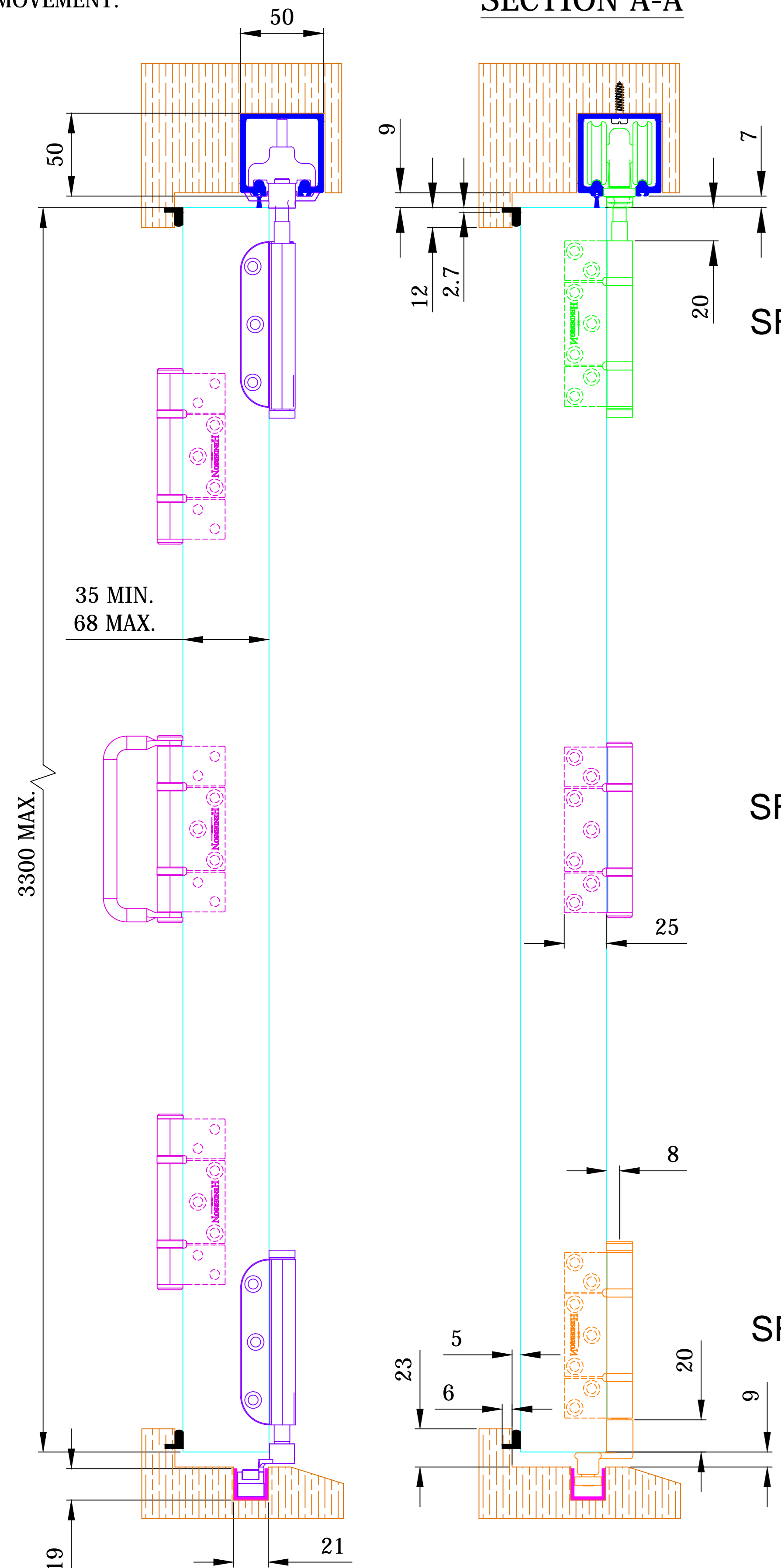


DIMENSION 50mm IS TRACK WIDTH.
ALLOW 1mm GAPS EITHER SIDE FOR
MOVEMENT.

SECTION A-A



WHEN USED IN CONJUNCTION WITH THE ALUMINIUM SUPPORT CHANNEL
94SC, THE OUT DIMENSION BECOMES 23H X 25W.

SF190

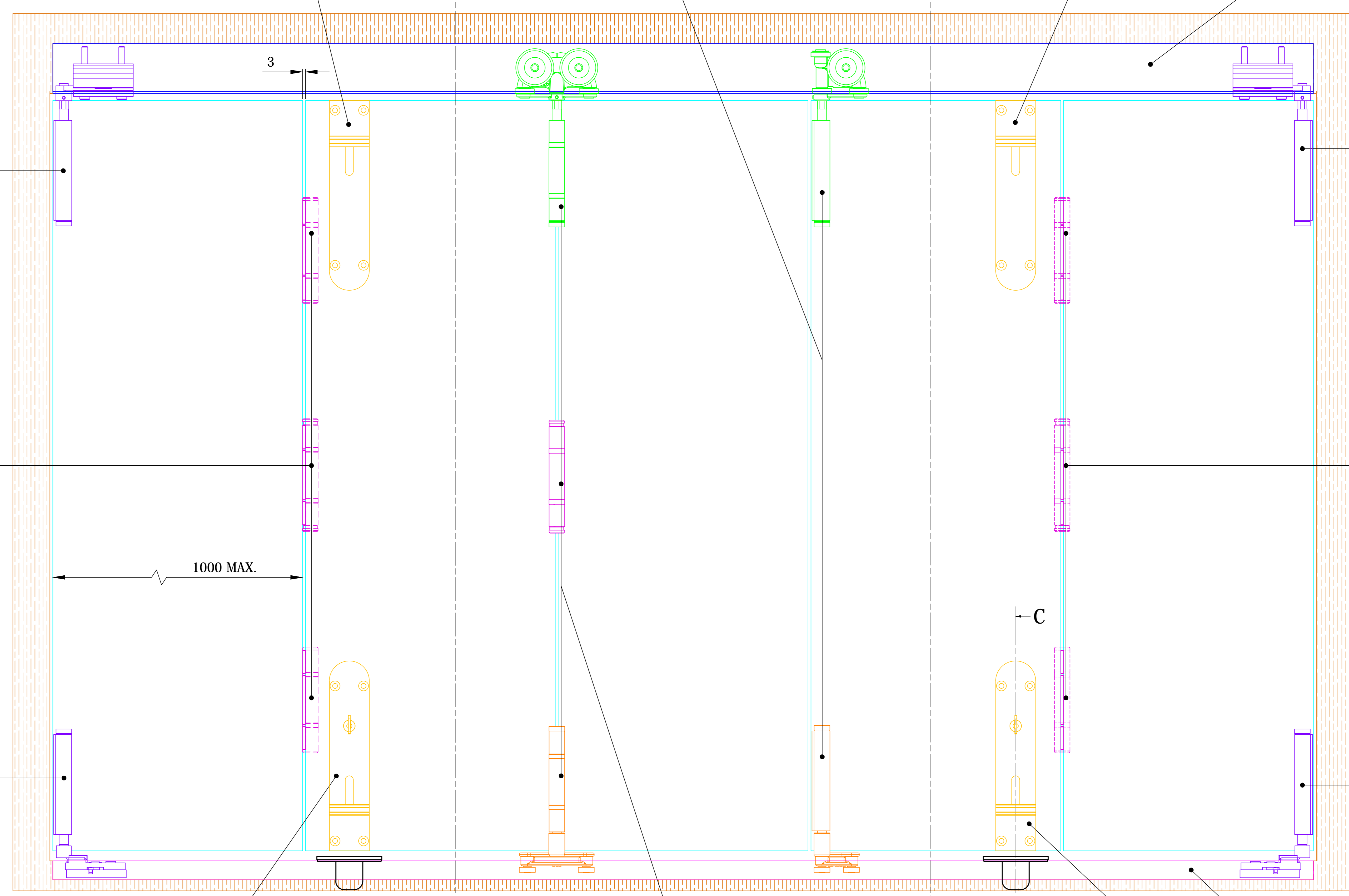
A

SF2

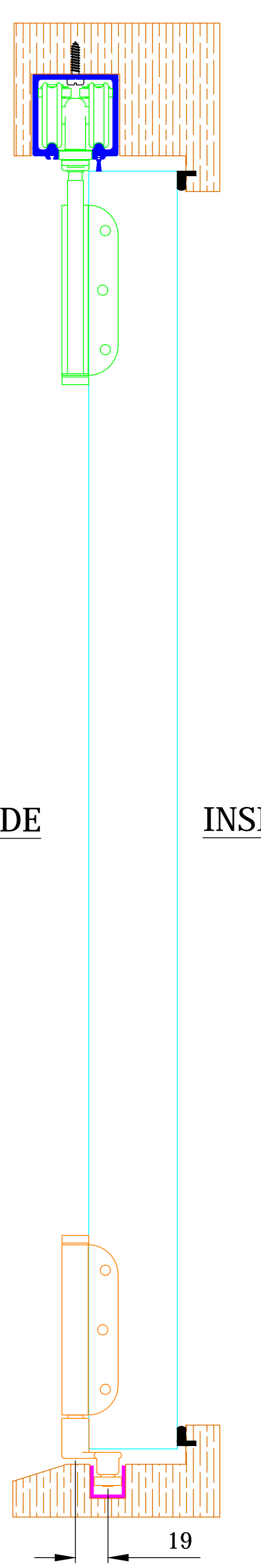
B

SF190

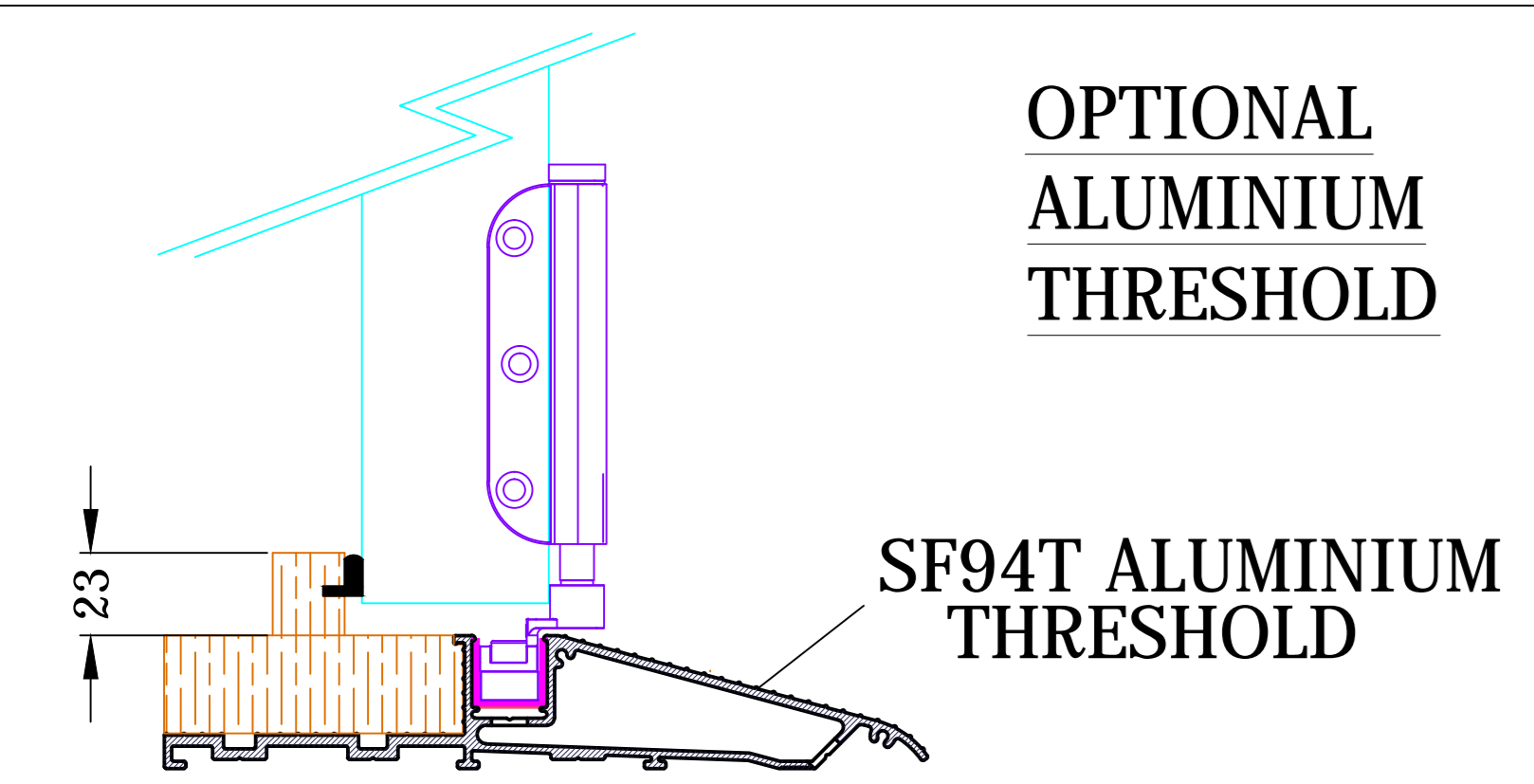
250 TRACK



SECTION B-B

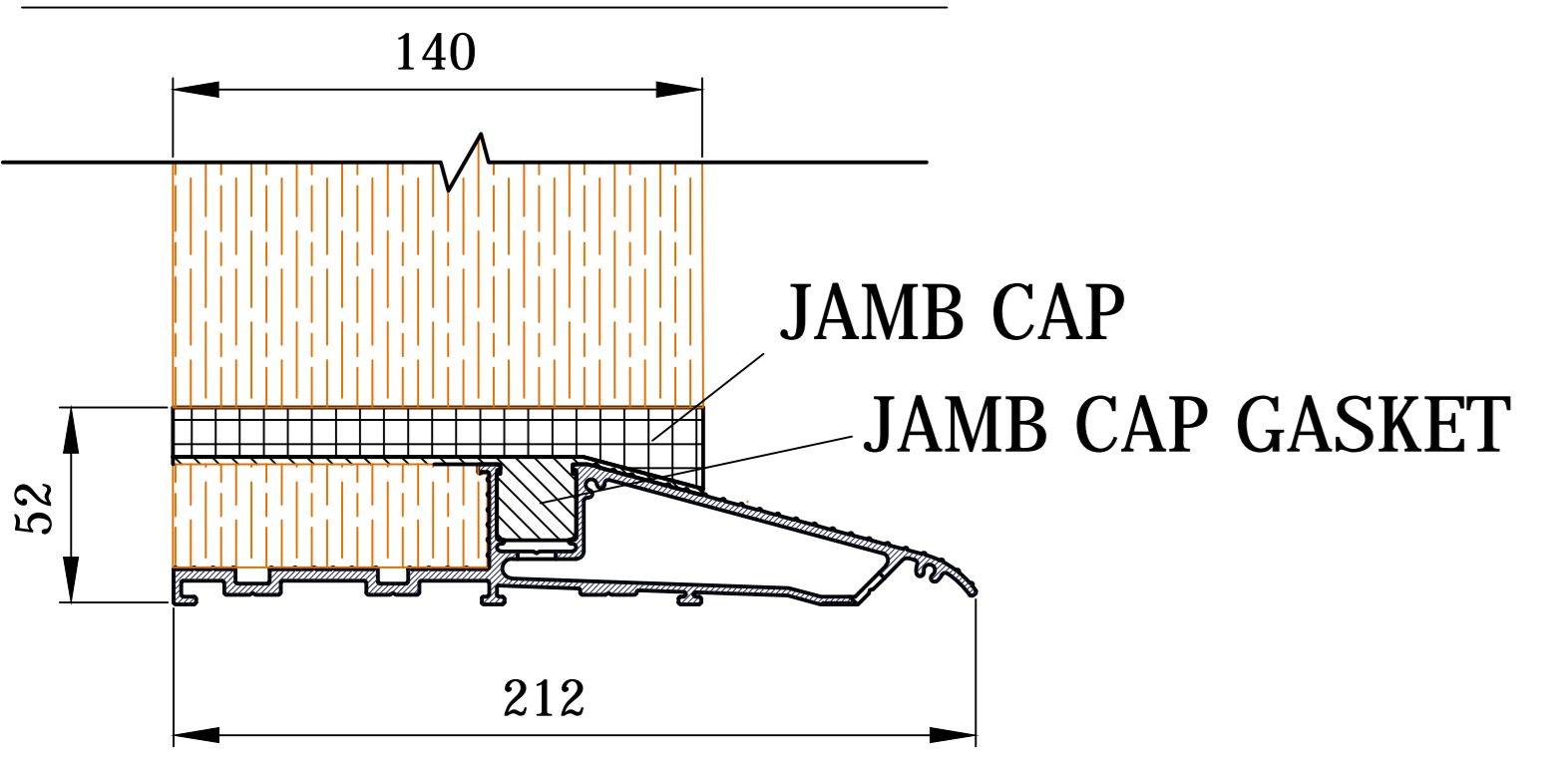


OPTIONAL
ALUMINIUM
THRESHOLD



SF94T ALUMINIUM
THRESHOLD

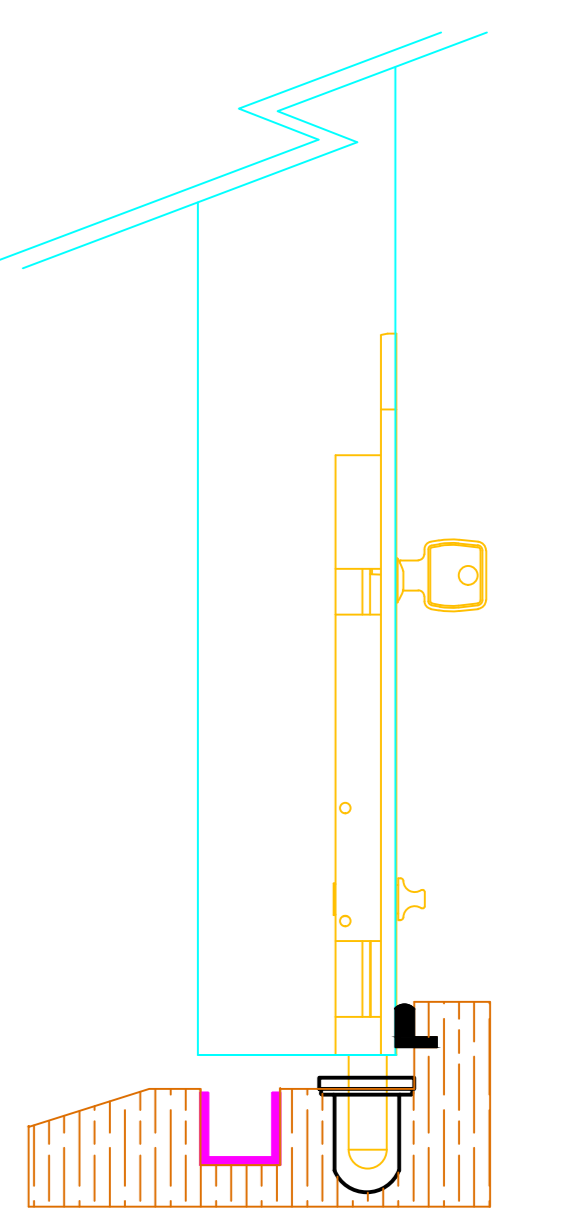
OPTIONAL JAMB KIT ASSY



JAMB CAP
JAMB CAP GASKET

ALTERNATIVE ALUMINIUM THRESHOLD COMES COMPLETE
WITH 94P AND ENDCAPS AND IS PREDRILLED FOR DRAINAGE

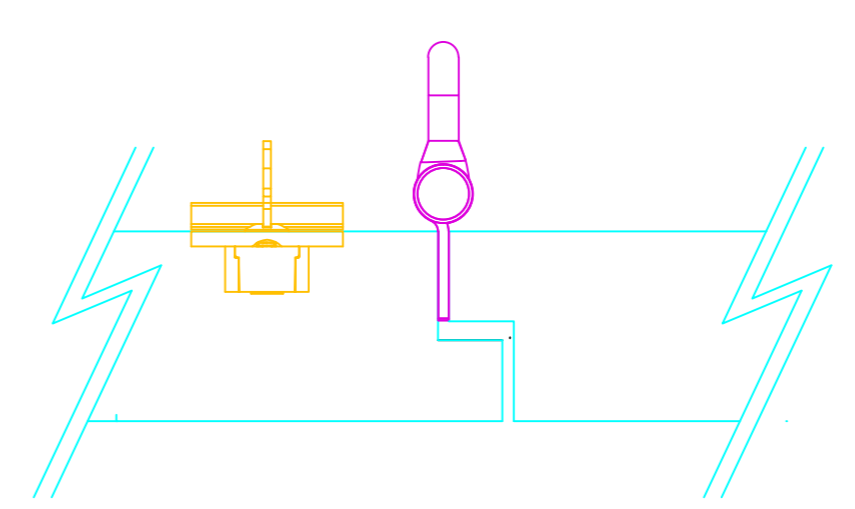
SECTION C-C



NOTES:

1. DRAWING IS FOR REFERENCE AND SUBJECT TO CHANGE WITHOUT NOTICE.
2. APPLICATION IS FOR EXTERNAL TIMBER FOLDING DOORS WEIGHT MAX 100Kg.
3. SQUARE EDGE DOORS ARE SHOWN, SYSTEM CAN BE USED ON REBATED DOORS - REBATE SHOULD BE OPPOSITE SIDE TO HARDWARE - SEE VIEW E.
4. REFER TO FITTING INSTRUCTIONS FOR ROUTING DETAILS REQUIRED
5. 190mm FLUSHBOLTS SHOWN ALTERNATIVE SIZES ARE AVAILABLE - 450 AND 600mm.
6. FOR DOORS BETWEEN 35-47mm THICK AT ALTERNATIVE TO THE SECUREFOLD FLUSHBOLT IS REQUIRED.
7. ALL DIMENSIONS ARE IN MILLIMETERS.

VIEW E: EXAMPLE
REBATED DOOR



Description:	SECUREFOLD OUTWARD OPENING 3+2
PCH-code:	SF O/W 3+2
CAD-scale:	----
Drawing-size:	A0
Revision:	A