

# RUSTIC 100

# HENDERSON

100kg Wood Metal Interior

Unique sliding door hardware with beautifully crafted barn style hangers, for doors weighing up to 100kg

## Overview

Rustic 100 is ideal for barn conversions, period properties or simply for a unique feature in the home. Suitable for internal doors weighing up to 100kg, the system creates a traditional look for sliding wooden or metal doors with the exposed steel straps fastening down the front of the door to support the rustic finish. The system is available in a choice of two finishes; matt black powder coat and stainless steel. Tracks are available in 2m or 3m lengths and a fittings kit can be purchased for when an extra door is required.

The system is also now available with an included single or double soft stop - a great addition to get the most out of your Rustic system. Simply push the door and the soft stop will gently decelerate the door and glide it into its final position, preventing unwanted slamming. The easy to install soft stop kit can be fitted to new or existing applications and can be combined with any finish of kit due to its discreet design.



## Features and Benefits

- Available in 2m or 3m track lengths
- Black, stainless steel or our new antique rust finish
- Fittings kit available for double door specifications
- Available as standard, single soft stop or double soft stop
- Installation video available at [www.pchenderson.com](http://www.pchenderson.com)

## Product and Door Specification




Kit Order Code			Finish	Track Length	Door Thickness Range*	Door Width Range	Max. Door Weight	Max. Door Weight (when using soft close)
Standard Kits	With Single Soft Stop (soft close OR open)	With Double Soft Stop (soft close AND open)						
R100/20	R80SOFT/20	R80SOFTD/20	Black	2000mm	36 - 46mm	500 - 1000mm	100kg	80kg
R100/30	R80SOFT/30	R80SOFTD/30	Black	3000mm	36 - 46mm	500 - 1500mm	100kg	80kg
R100SS/20	R80SSSOFT/20	R80SSSOFTD/20	Stainless Steel	2000mm	36 - 46mm	500 - 1000mm	100kg	80kg
R100SS/30	R80SSSOFT/30	R80SSSOFTD/30	Stainless Steel	3000mm	36 - 46mm	500 - 1500mm	100kg	80kg

\*Kit can cater for thinner doors but the installation method may need to be altered slightly

## Kit Contents

Hangers (x2)
Door Stops (x2)
Floor Guide (x1)
"Flat Track" (x1)
Track Wall Spacers (x 5 for 2000mm, x 7 for 3000mm)
Anti-Jump Cam (x2)
Oval Flush Pulls (x2)

## Accessories

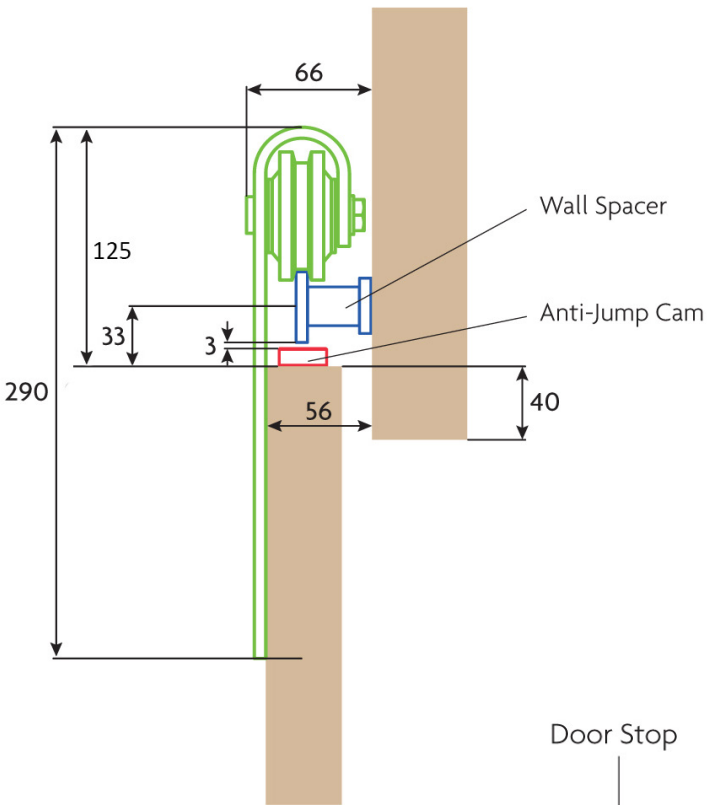
R80SOFT	Soft Stop (80kg capacity, see page 2 for details on door configuration)	
R100	Fittings Kit for when an extra door is required (black)	
R100SS	Fittings Kit for when an extra door is required (stainless steel)	



## Watch the Installation Video

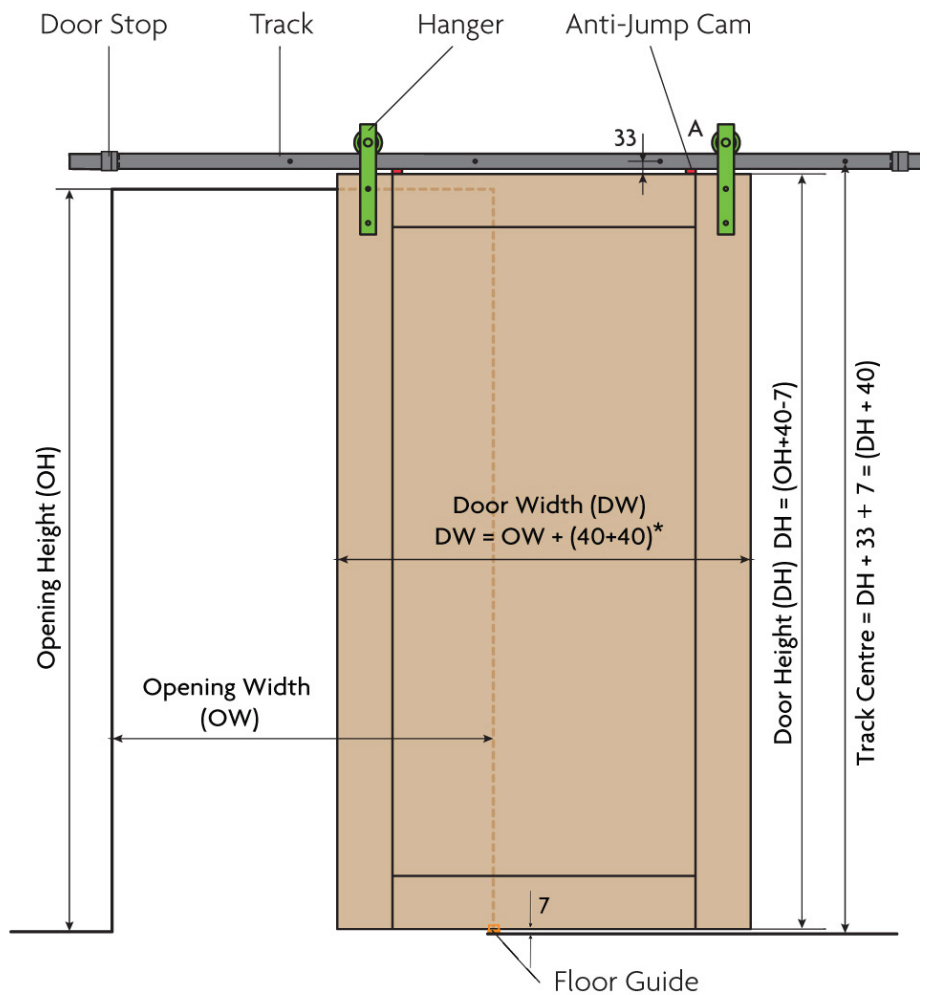
Visit [www.pchenderson.com/rustic-installation](http://www.pchenderson.com/rustic-installation) or scan the QR code using your phone





### Soft Close Configuration when Installing Bi-Parting Doors

Track	2 Soft Closers (one on each door)	4 Soft Closers (two on each door)
3m Track	Yes (762mm min. door width)	Not possible
4m Track (2 x 2m)	Yes	Yes (900mm min. door width)



\* PCH Suggests 40mm overlap of the door to the opening

For further information, please contact us on:

#### UK Sales

T: +44 (0) 191 377 7345

E: [sales@pchenderson.com](mailto:sales@pchenderson.com)

W: [www.pchenderson.com](http://www.pchenderson.com)

#### Export Sales

T: +44 (0) 191 377 7346

E: [international@pchenderson.com](mailto:international@pchenderson.com)

W: [export.pchenderson.com](http://export.pchenderson.com)