

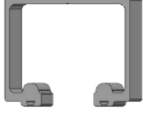


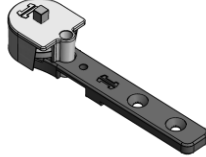
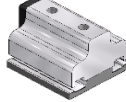
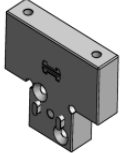









SOLTAIRE TELESCOPIC

HENDERSON

2 & 3 DOOR

Fitting Instructions

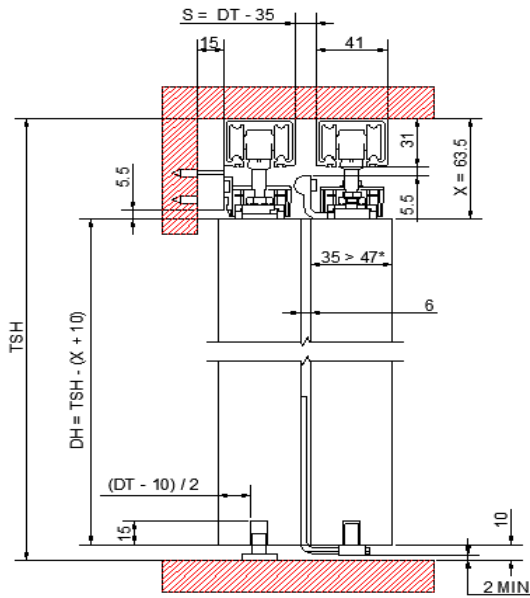
KIT AND DOOR SPECIFICATION				
Kit Short Code	No. of Doors	Door Width Range	Door Thickness Range	Max. Door Weight
TEL120/2	2	500 - 1200mm	35 - 47mm	120kg
TEL120/3	3	500 - 1200mm	35 - 47mm	120kg

KIT CONTENTS																			
																			
120 Track 2 Door (x 2) 3 Door (x 3)	51/120/SS Hanger 2 Door (x 4) 3 Door (x 6)	Short Arm 2 Door (x 1) 3 Door (x 2)	Long Arm 2 Door (x 1) 3 Door (x 2)	HH4/AN Track Stop 2 Door (x 2) 3 Door (x 2)															
																			
Datum Block 2 Door (x 1) 3 Door (x 1)	Belt Joint Bracket 2 Door (x 1) 3 Door (x 2)	Belt Retain Block 2 Door (x 1) 3 Door (x 1)	Belt Clamp 2 Door (x 3) 3 Door (x 6)	Spanner 2 Door (x 1) 3 Door (x 1)															
																			
Toothed Belt 2 Door (x 3m) 3 Door (x 5m)	Adjustable Floor Guide Bracket 2 Door (x 1) 3 Door (x 2)	Adjustable Floor Guide 2 Door (x 1) 3 Door (x 2)	Second Door Bracket 2 Door (x 0) 3 Door (x 1)	Fixed Floor Guide 2 Door (x 1) 3 Door (x 1)															
<table border="1"> <thead> <tr> <th>Screws</th> <th>2 Door</th> <th>3 Door</th> </tr> </thead> <tbody> <tr> <td>M6 x 12 CSK HD</td> <td>3</td> <td>7</td> </tr> <tr> <td>4.5 x 30 Wood Screw</td> <td>11</td> <td>18</td> </tr> <tr> <td>M4 x 6 Grubscrew</td> <td>1</td> <td>2</td> </tr> <tr> <td>M6 x 10 Hex HD Bolt</td> <td>3</td> <td>6</td> </tr> </tbody> </table>		Screws	2 Door	3 Door	M6 x 12 CSK HD	3	7	4.5 x 30 Wood Screw	11	18	M4 x 6 Grubscrew	1	2	M6 x 10 Hex HD Bolt	3	6			
Screws	2 Door	3 Door																	
M6 x 12 CSK HD	3	7																	
4.5 x 30 Wood Screw	11	18																	
M4 x 6 Grubscrew	1	2																	
M6 x 10 Hex HD Bolt	3	6																	

Note: Track must be specified in addition to kit

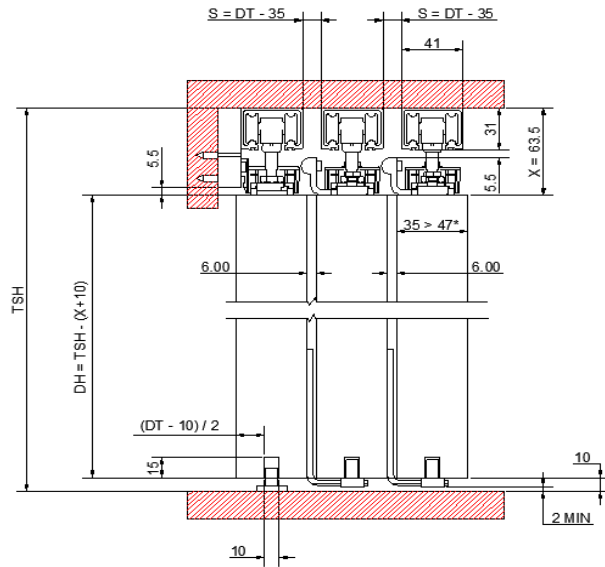
TOOLS REQUIRED				
				
Tape Measure	2, 4 & 5mm Allen Keys	Posi Head Screwdriver	Spirit Level	Scissors

SYSTEM OVERVIEW AND TRACK INSTALLATION

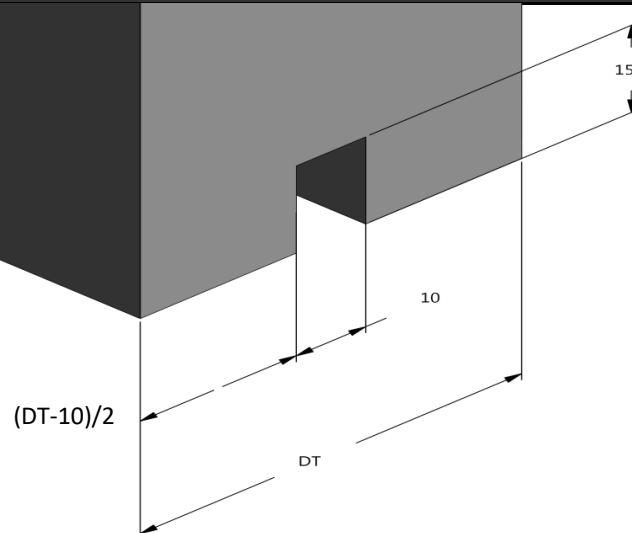


KEY

- DT** = Door Thickness
- TSH** = Track Set Height
- DH** = Door Height
- S** = Gap Required Between Tracks
- X** = PCH Recommended Top Clearance (63.5mm)



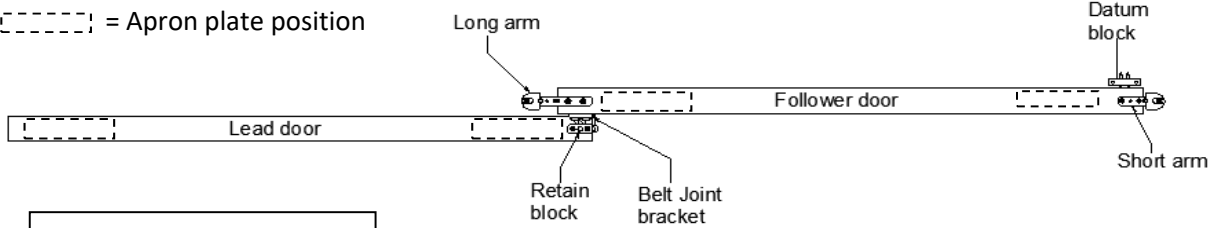
DOOR FLOOR GUIDE ROUTING DETAIL



TWO DOOR SYSTEM OVERVIEW

TWO DOOR SYSTEM

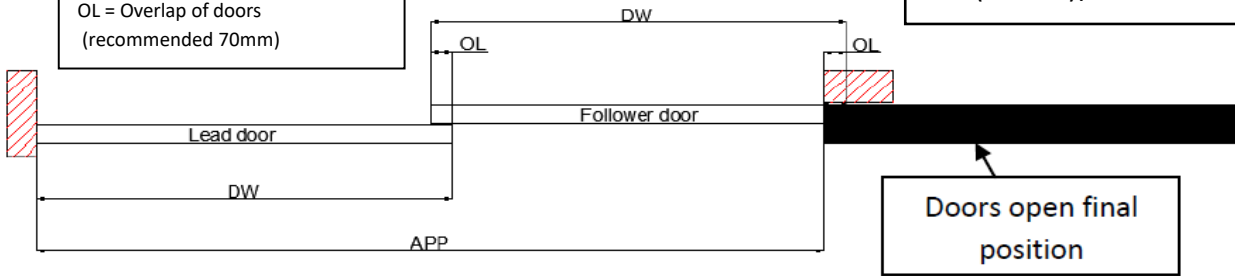
----- = Apron plate position



KEY

DW = Door Width
 APP = Maximum Clear Opening Width
 OL = Overlap of doors (recommended 70mm)

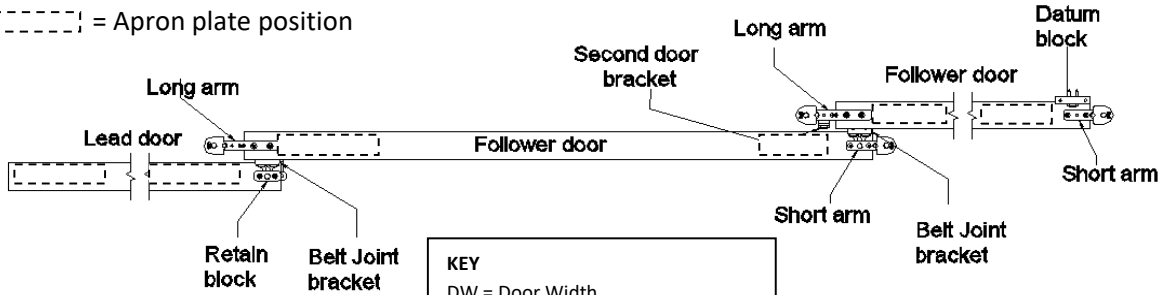
OL = PCH RECOMMEND 70mm
 APP = 2 X DW - 140
 DW = (APP + 140) / 2



THREE DOOR SYSTEM OVERVIEW

THREE DOOR SYSTEM

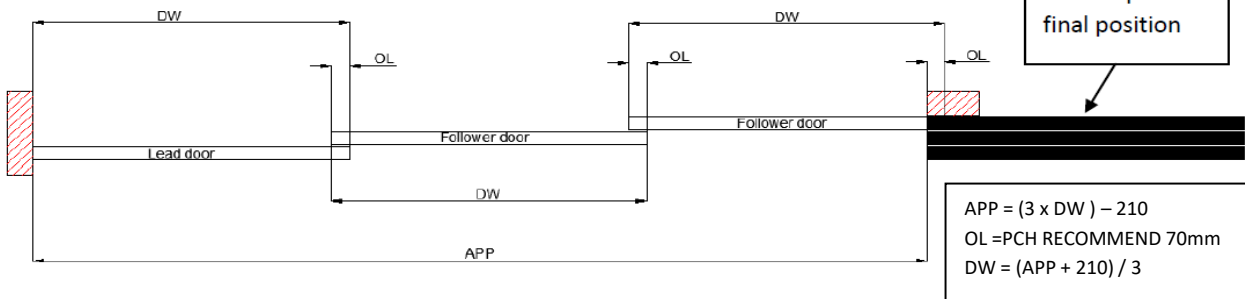
----- = Apron plate position



KEY

DW = Door Width
 APP = Maximum Clear Opening Width
 OL = Overlap of doors (recommended 70mm)

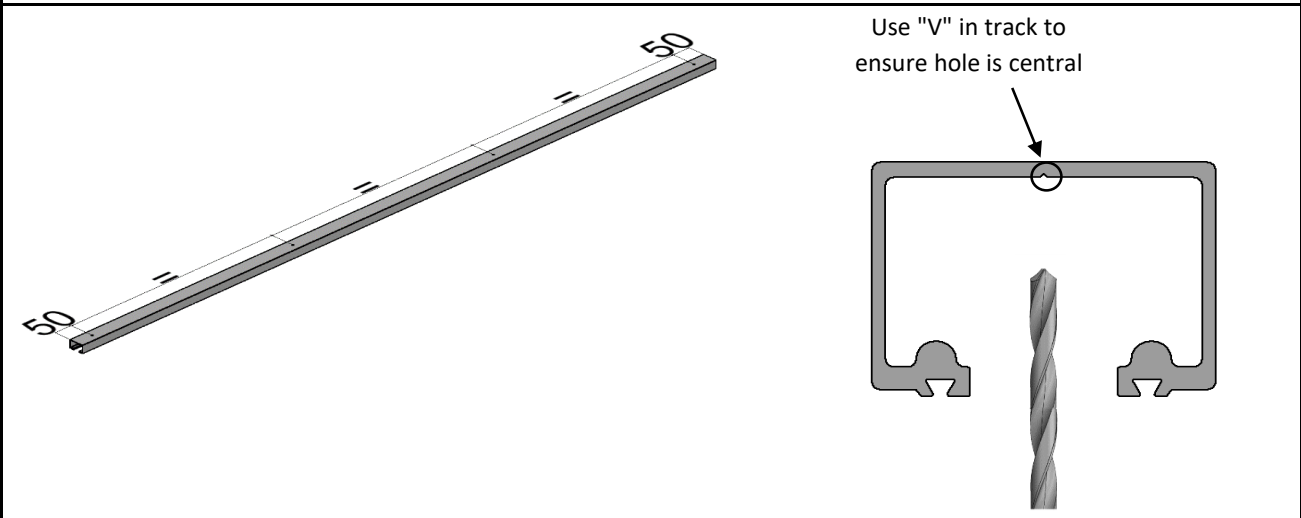
Doors open final position



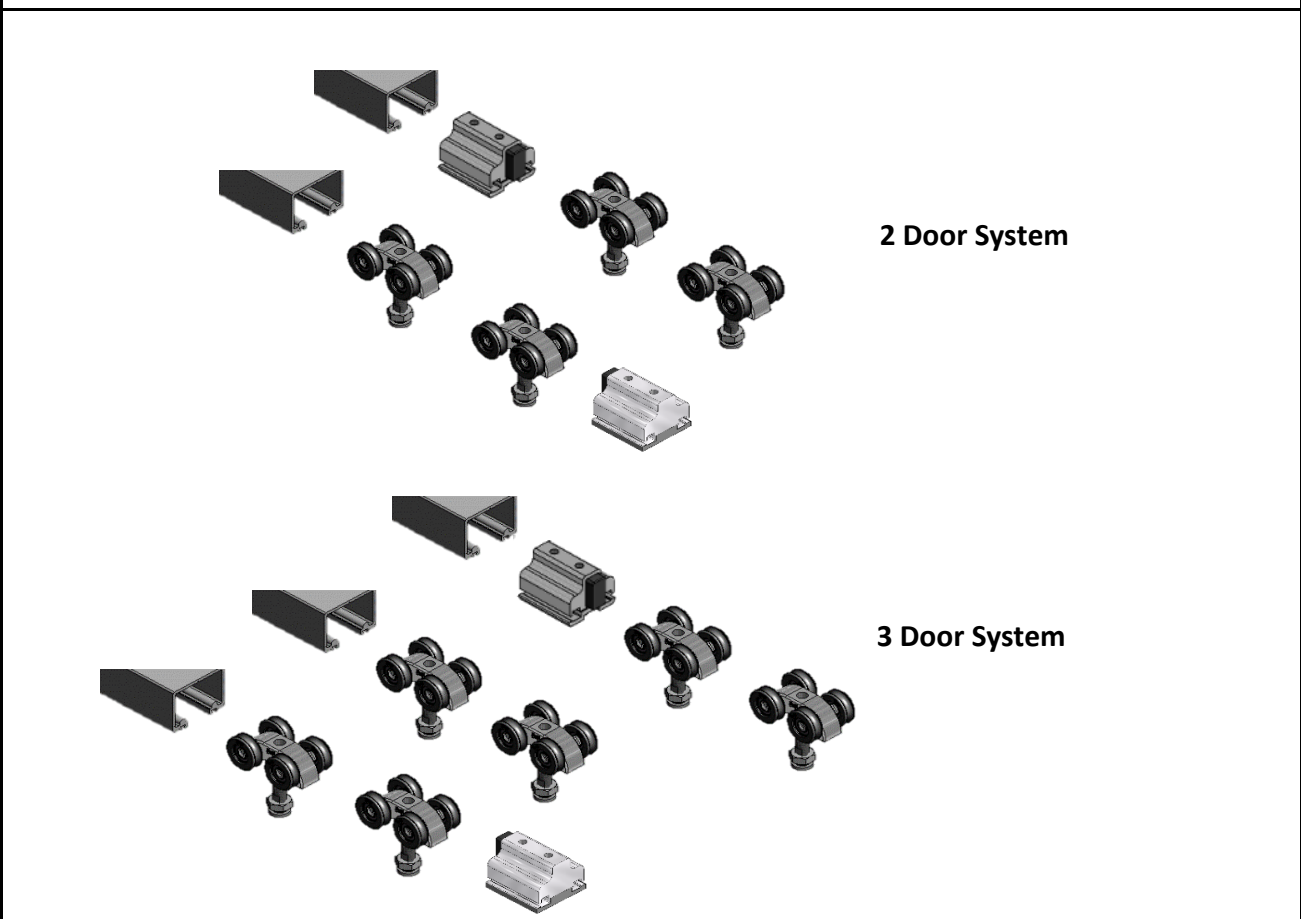
APP = (3 x DW) - 210
 OL = PCH RECOMMEND 70mm
 DW = (APP + 210) / 3

STEP BY STEP INSTRUCTIONS

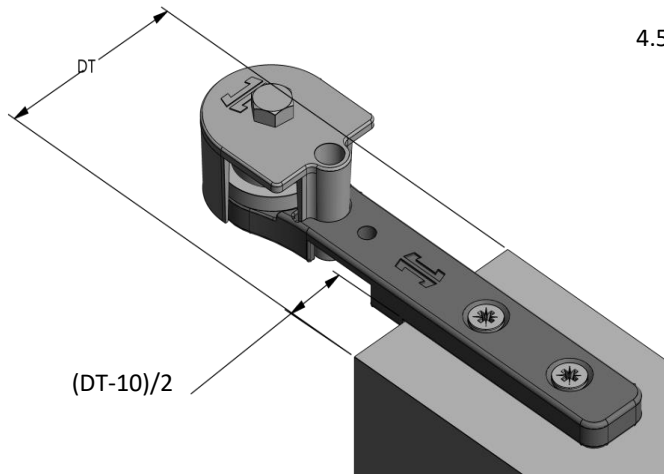
STEP 1: Cut tracks to the required length. Drill holes into each track (hole size depends on fixing method) and use "V" to ensure holes are central. Fix the tracks to the underside of the lintel, see page 2 for recommended track height and clearance.



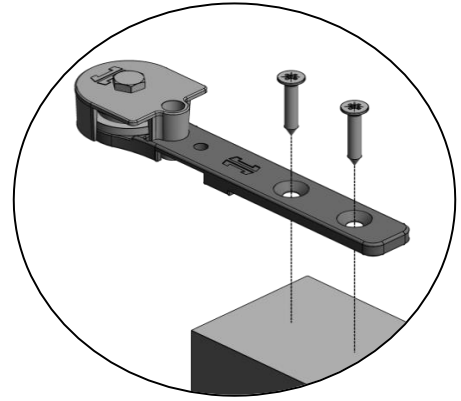
STEP 2: Insert stops and hangers into each track in the order shown



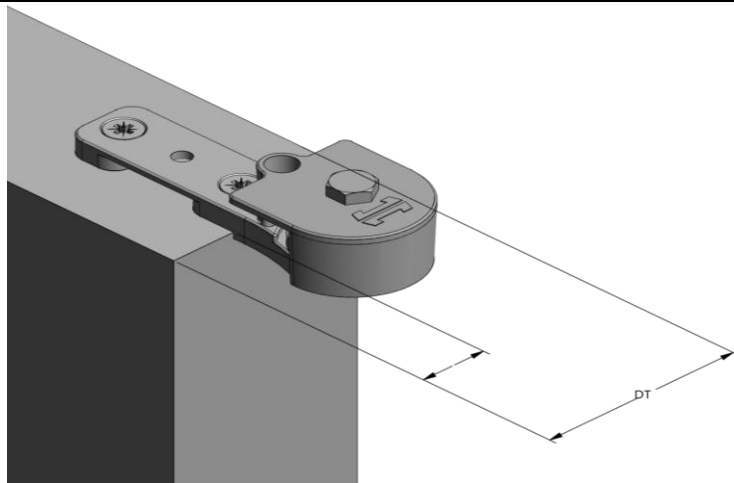
STEP 3: Attach long arm to follower door.



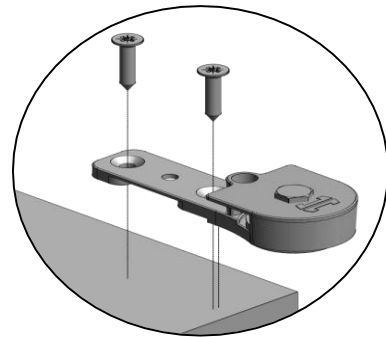
4.5 x 30 Wood Screws



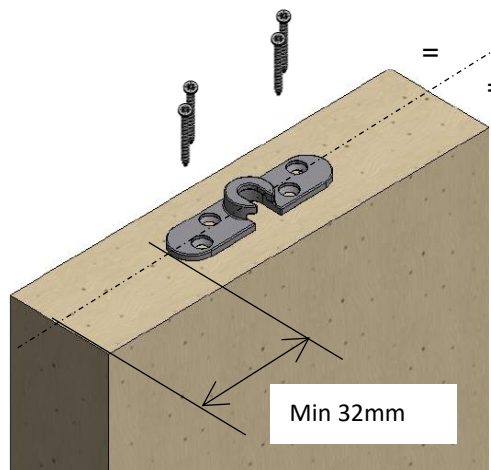
STEP 4: Attach short arm on following doors.



4.5 x 30 Wood Screws

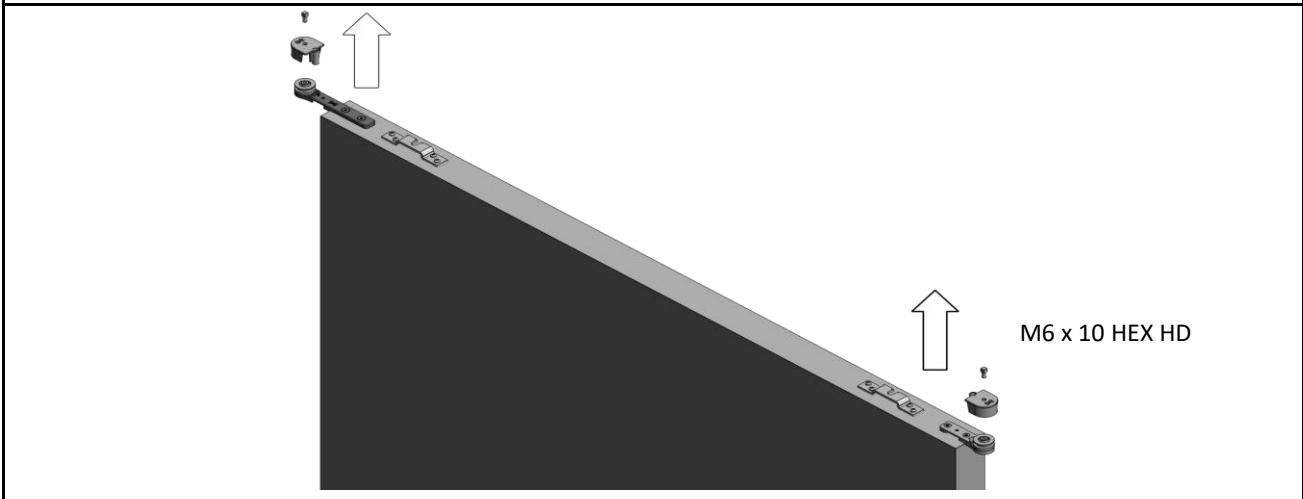


STEP 5: Fit apron plates (2 per door).

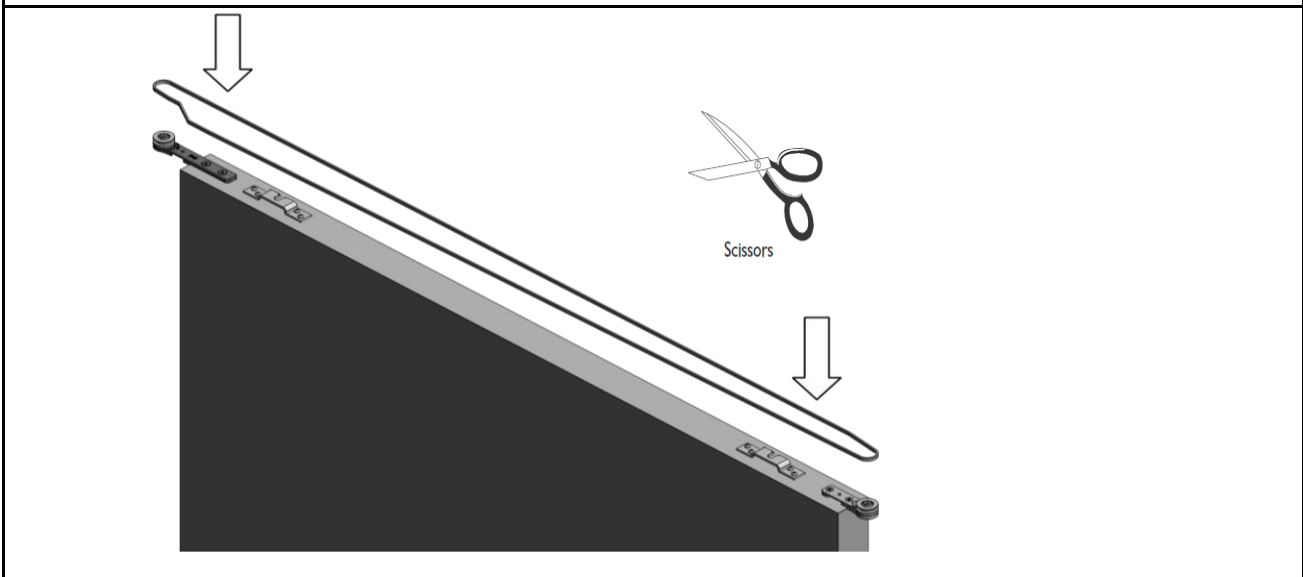


Min 32mm

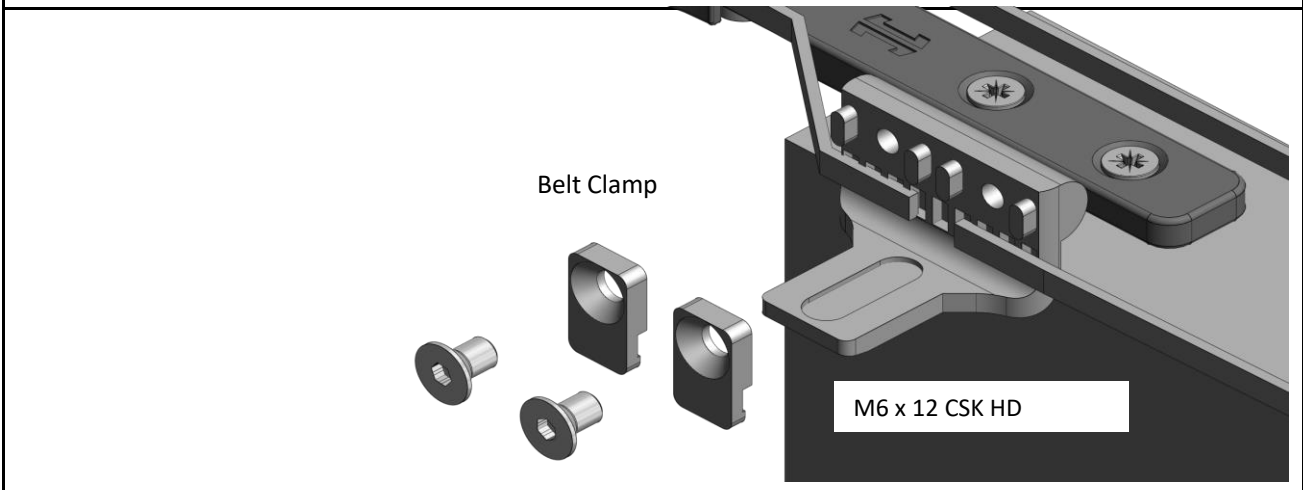
STEP 6: Remove bearing caps on follower doors.



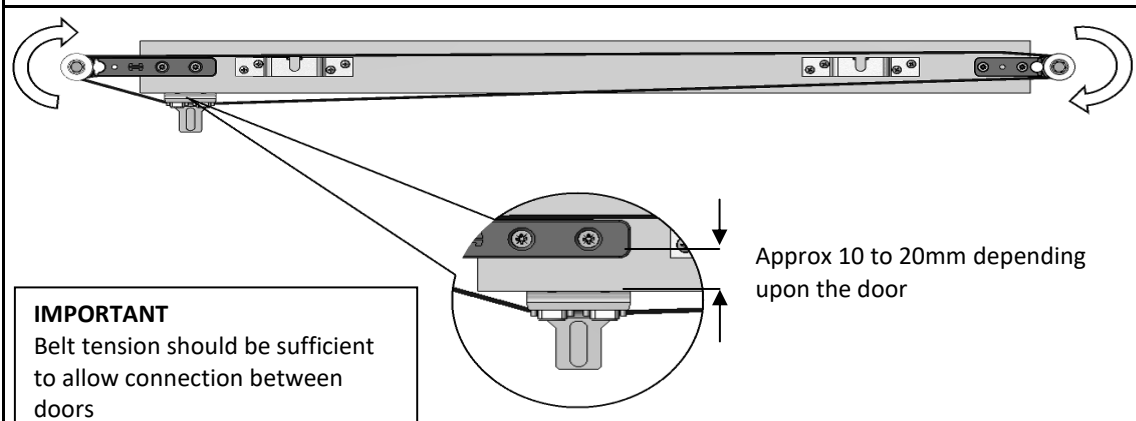
STEP 7: Loop belt around bearing wheels and cut belt to length on follower doors.



STEP 8: Attach both ends to belt joint bracket.

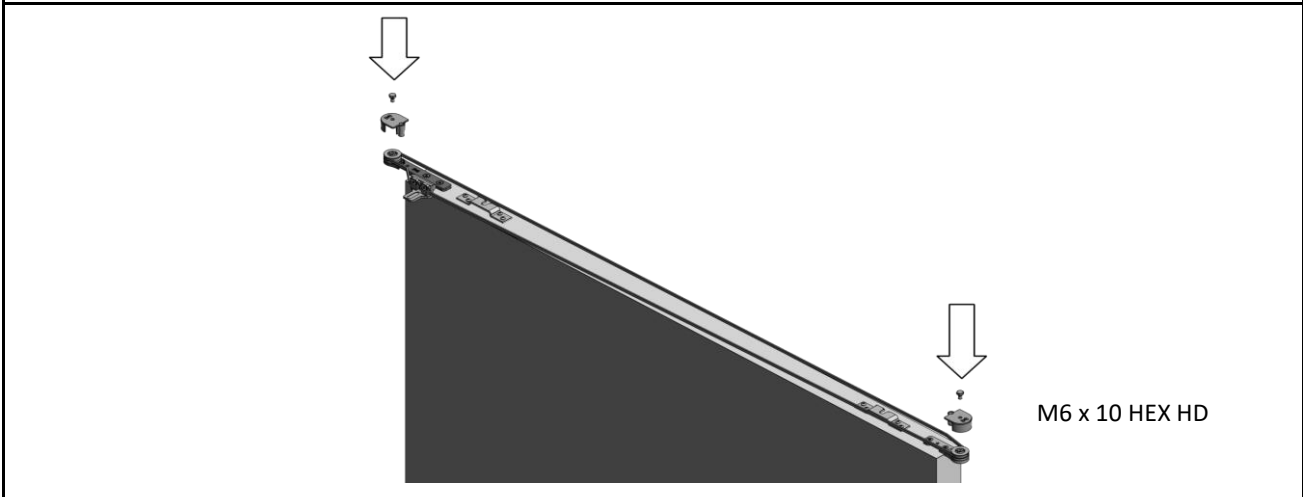


STEP 9: Clamp bracket should be free to traverse between bearings.

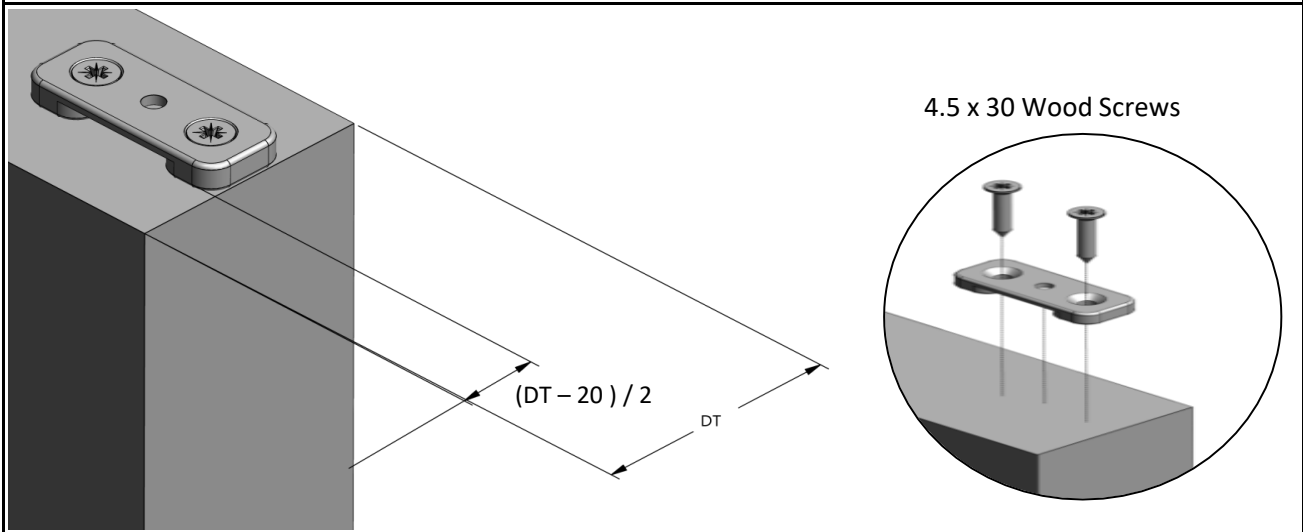


IMPORTANT
Belt tension should be sufficient to allow connection between doors

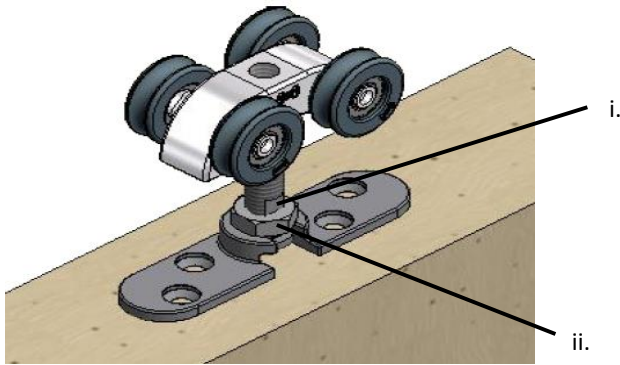
STEP 10: Reattach bearing caps.



STEP 11: Position retain block on lead doors.

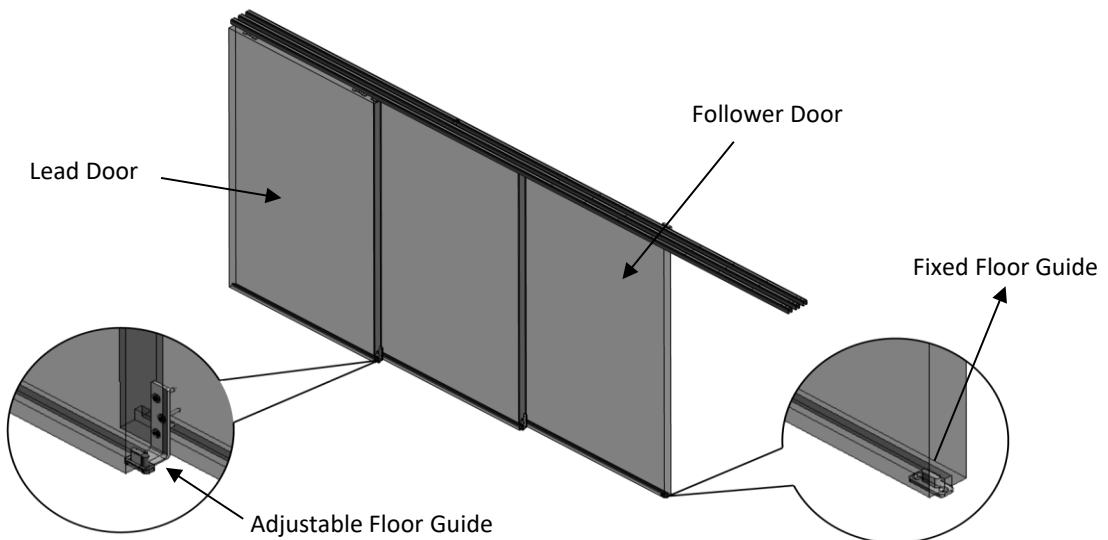


STEP 12: Hang the doors onto the track, set the height and tighten into position.

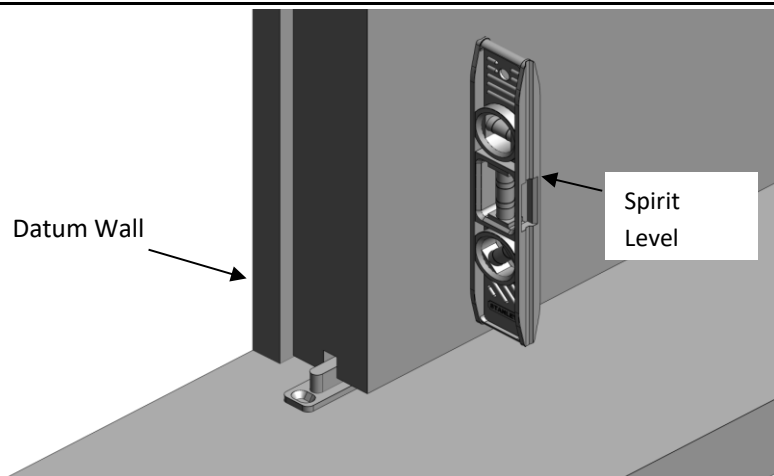


- i. Set door height by rotating strap bolt on flats
- ii. Once position set – tighten thin nut against apron plate

STEP 13: Floor guide overview.

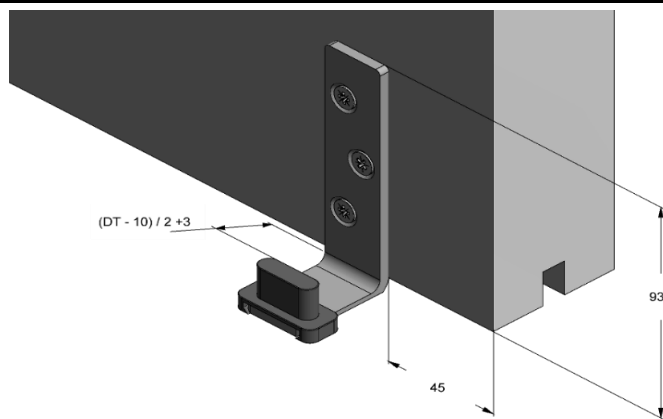
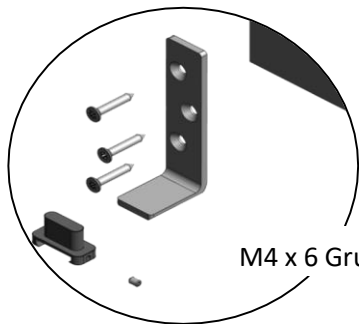


STEP 14: Align doors with spirit level to position fixed floor guide.

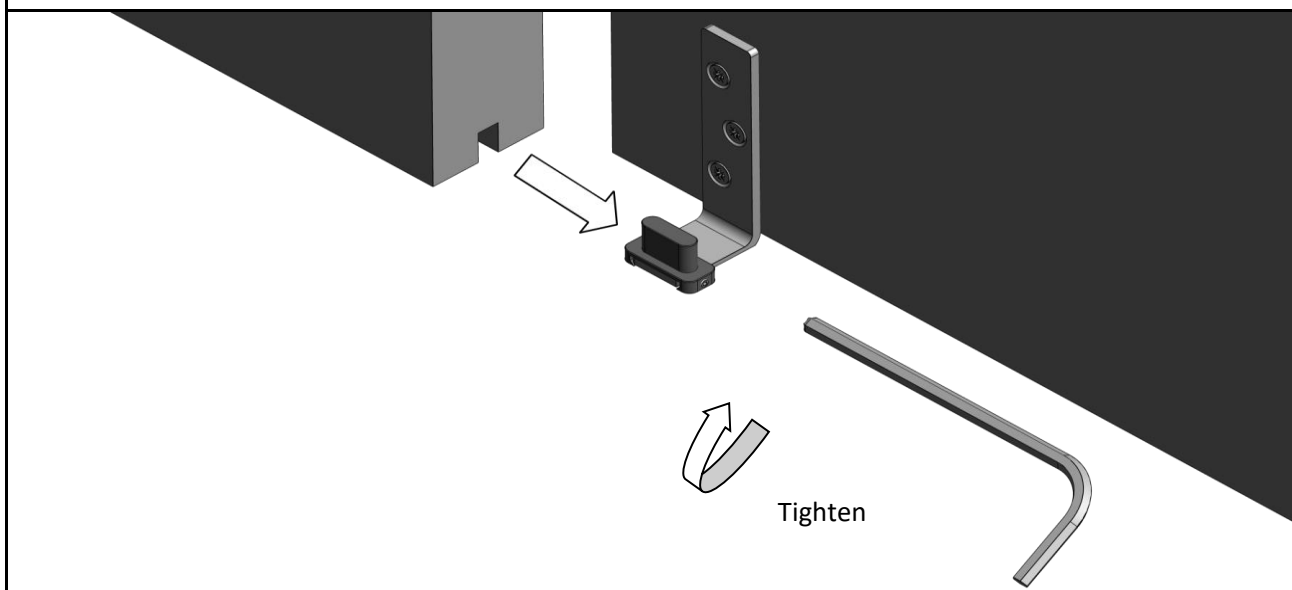


STEP 15: Position adjustable floor guide on follower door.

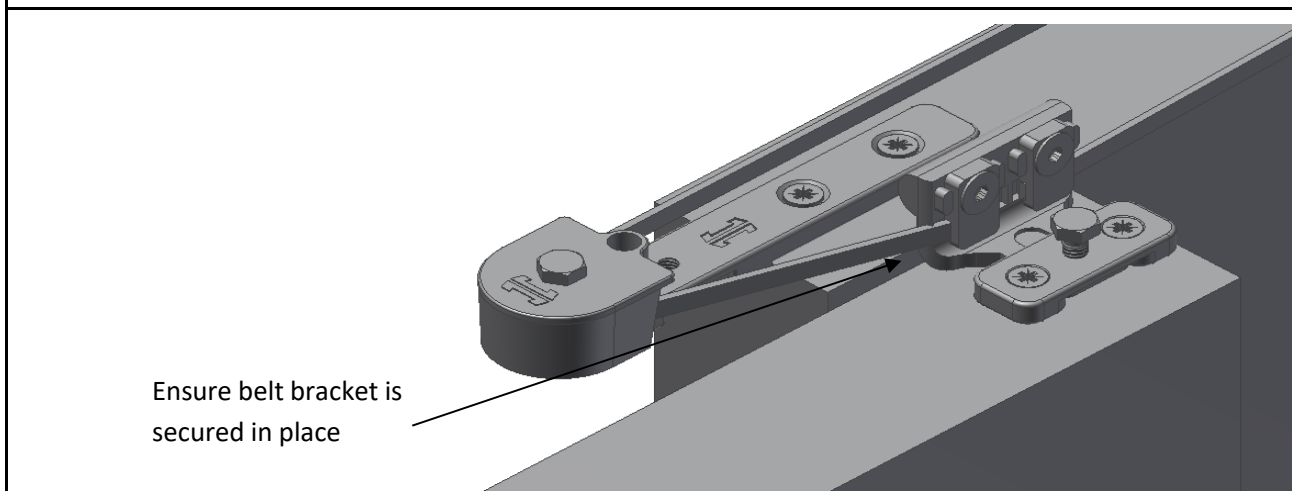
4.5 x 30 Wood Screws



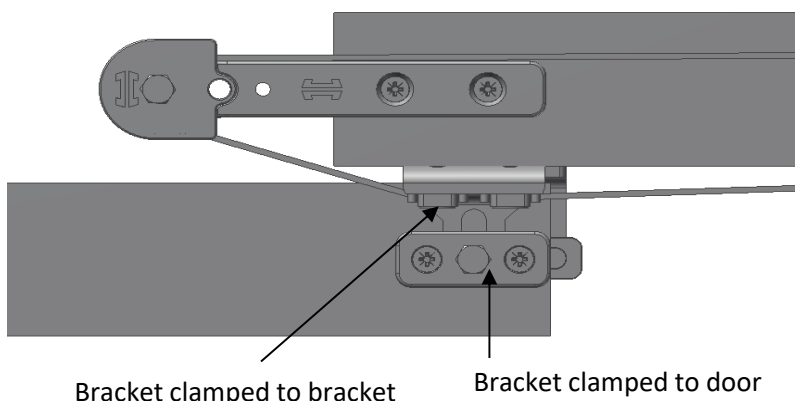
STEP 16: Ensure floor guide is correctly aligned.



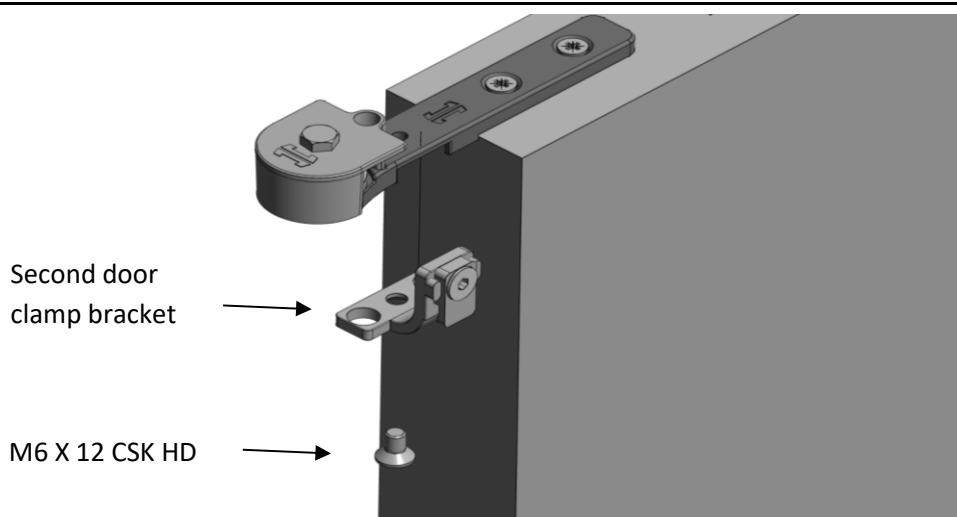
STEP 17: Connect doors.



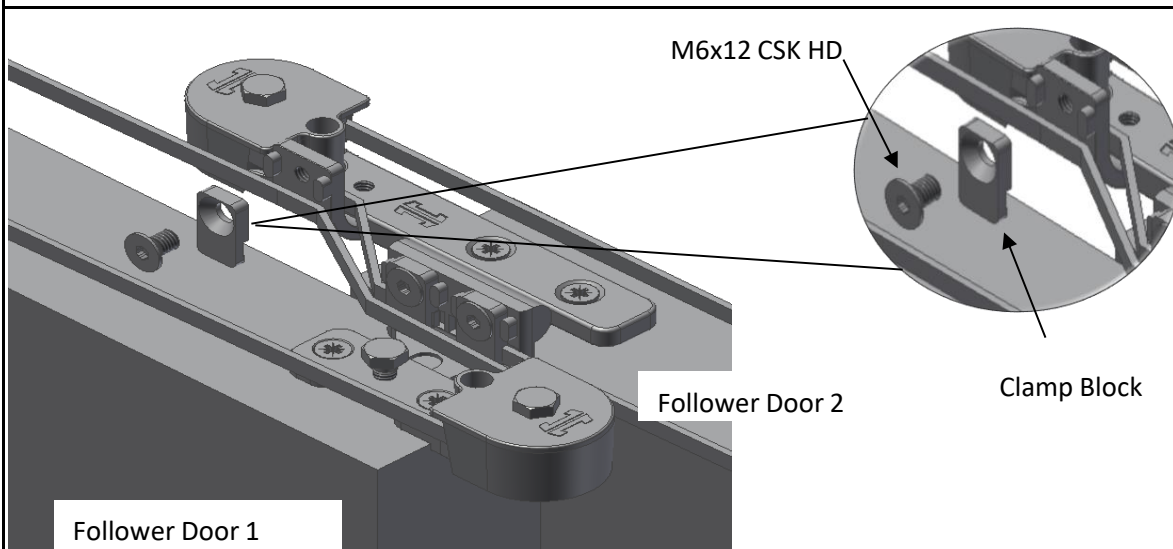
STEP 18: Two and three door belt overview.



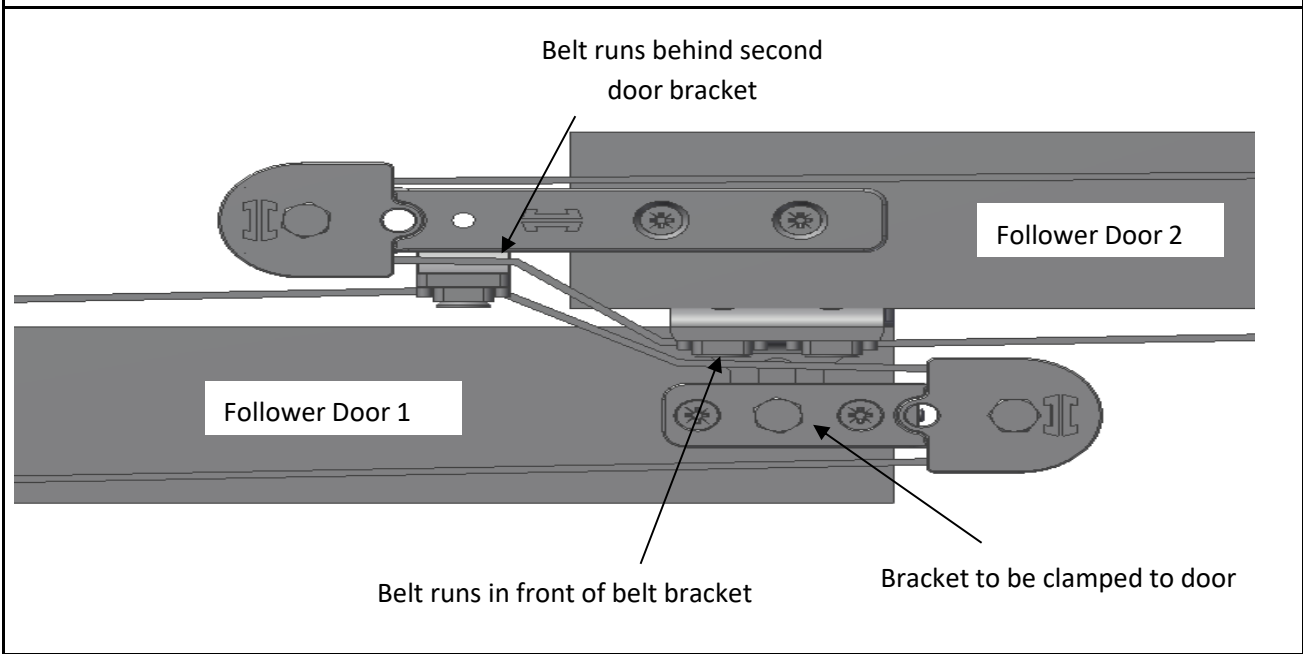
STEP 19: For two door systems, please skip to **step 22**. For three door systems, add second bracket.



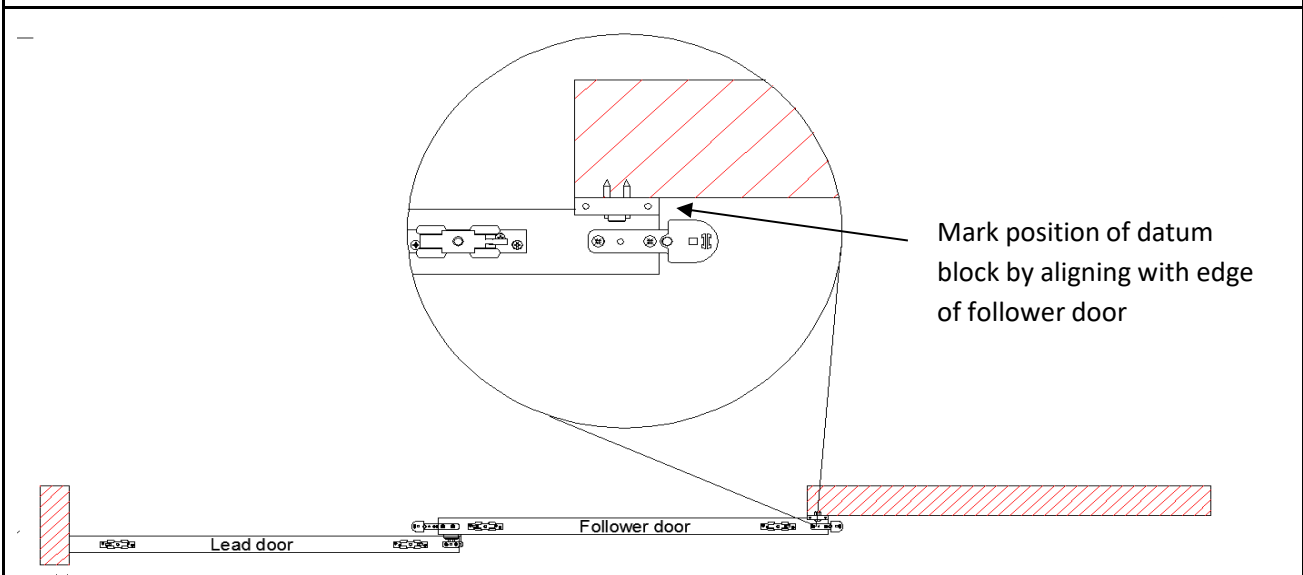
STEP 20: Connect doors.



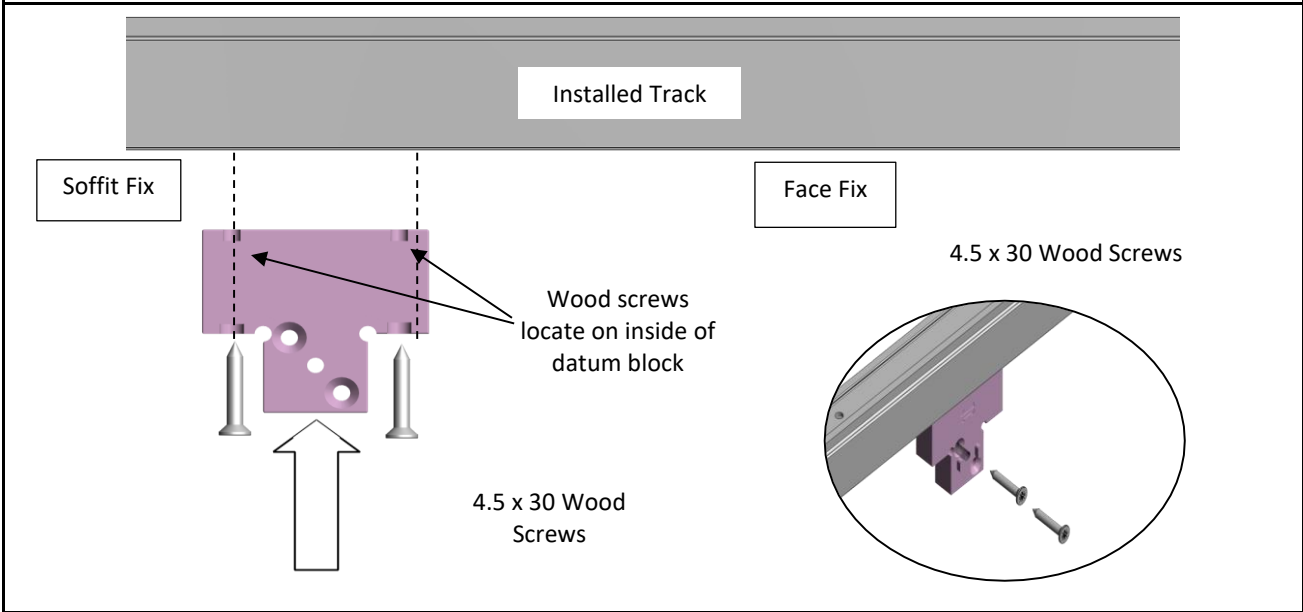
STEP 21: Three door belt connection overview.



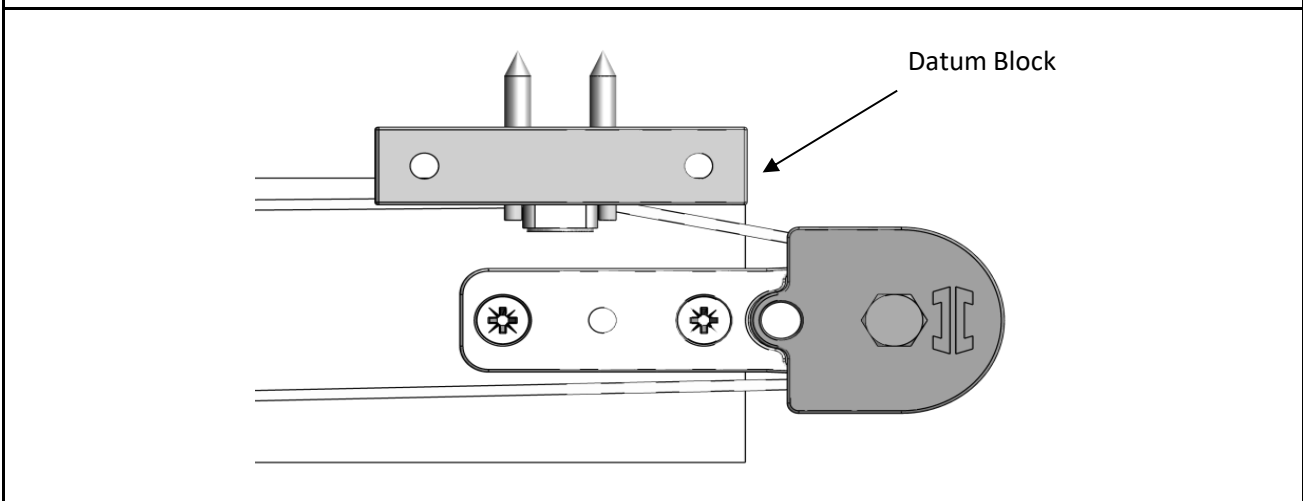
STEP 22: With doors in fully closed position, mark position for datum block.



STEP 23: Affix datum block - ensuring doors are able to fully traverse the track



STEP 24: Connect belt to datum block



STEP 25: Position track stops to ensure all panels are aligned in the fully open position

P C Henderson Ltd, Durham Road, Bowburn, Co. Durham, DH6 5NG, UK

UK Sales

t: +44 (0) 191 377 7345

e: sales@pchenderson.com

w: www.pchenderson.com

Export Sales

t: +44 (0) 191 377 7346

e: international@pchenderson.com

w: export.pchenderson.com

668667

LVL02

Oct-19