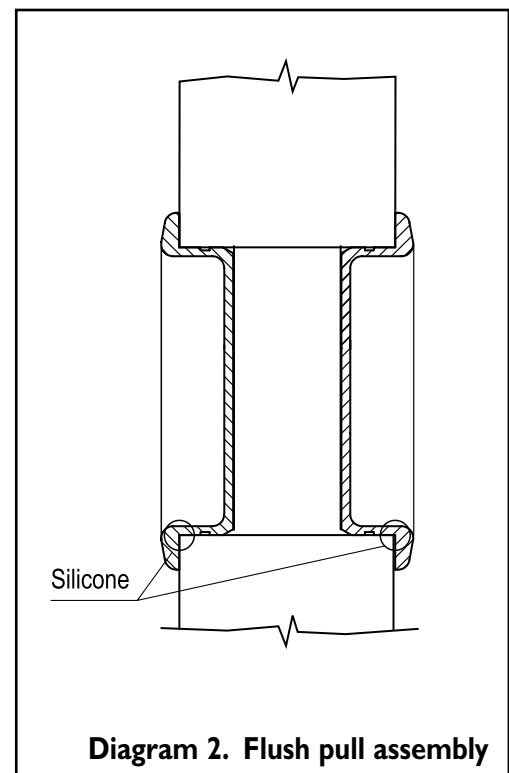
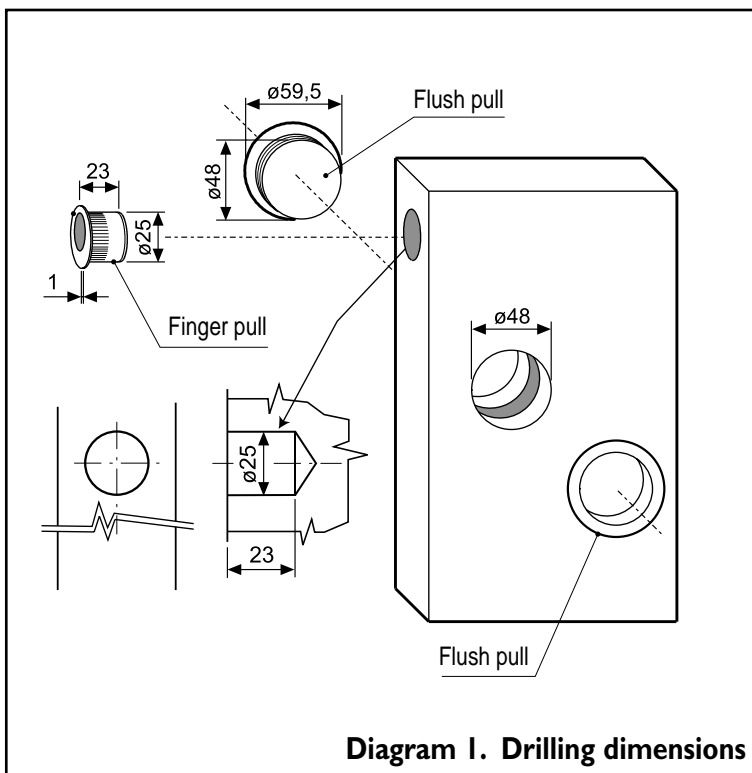


SLIDING DOOR FLUSH PULL - 385

Fitting Instructions

1. Prepare the door panel, as shown in Diagram 1.
2. In order to prevent any rotation of the flush pulls we advise you apply silicone on the interior angle, as shown in Diagram 2.
3. Fit the flush pulls into the 48mm holes.
4. Fix the finger pull into the 25mm diameter hole in the edge of the door, as shown in Diagram 1.



Fire Rated Installations: If using this product for a fire rated installation - please follow the field of application report (found at www.pchenderson.com) for specific installation instructions.

P C Henderson Ltd, Durham Road, Bowburn, Co. Durham, DH6 5NG, UK

UK Sales

t: +44 (0) 191 377 7345

e: sales@pchenderson.com

w: www.pchenderson.com

Export Sales

t: +44 (0) 191 377 7346

e: international@pchenderson.com

w: export.pchenderson.com

Part No: 666779

November 2019

Issue 4

UK Registered Address: P C Henderson Ltd, Durham Road, Bowburn, Co. Durham, DH6 5NG

Republic of Ireland Registered Address: P C Henderson Ltd, Westlink Industrial Estate, Kylemore Road, Dublin 10, Ireland

Holland Registered Address: Henderson Nederland BV, Rootven 14, 5531 MB, Bladel