

POCKET DOOR PRO

HENDERSON

Fitting Instructions

WATCH THE INSTALLATION VIDEO

Visit: www.pchenderson.com/pocket-door-pro-installation

Or scan the QR code using your phone



KIT AND DOOR SPECIFICATION

Kit Order Code		Max. Door Height	Max. Door Width	Door Thickness Range*	Max. Door Weight	
Standard	With Soft Close				Standard	With Soft Close
PDKPRO1/***	N/A	1981mm	610mm	35 - 45mm	120kg	80kg
PDKPRO2/***	PROSOFT2/***	1981mm	686mm	35 - 45mm	120kg	80kg
PDKPRO3/***	PROSOFT3/***	1981mm	762mm	35 - 45mm	120kg	80kg
PDKPRO4/***	PROSOFT4/***	1981mm	838mm	35 - 45mm	120kg	80kg
PDKPRO6/***	PROSOFT6/***	2040mm	826mm	35 - 45mm	120kg	80kg
PDKPRO7/***	PROSOFT7/***	2040mm	726mm	35 - 45mm	120kg	80kg
PDKPRO10/***	PROSOFT10/***	2315mm	930mm	35 - 45mm	120kg	80kg

*** For full short code, replace with required wall thickness - 120mm or 125mm

* Maximum door thickness when specifying with an FD60 fire rated liner kit is 54mm

Note: If installing a self-closing mechanism with this kit, please install the self closing mechanism first (using the supplied separate instructions). If installing a liner kit with this product, please install last (using the supplied separate instructions).

KIT CONTENTS

Header Track (x1)

*Door Stop (x1)

Fixing Plates (x4)

Floor Guide (x1)

2.5mm Spacer Plate (x4)
125mm FWT version only

Floor/Wall Bracket
PDKPRO1-7 (x2)
PDKPRO10 (x4)

Nogging
2 x 395mm in PDKPRO1 & 2
2 x 545mm in PDKPRO3, 4, 6, 7
4 x 545mm in PDKPRO10
4 x 295mm in PDKPRO10

Hangers
PDKPRO 1-10 (x2)
PROSOFT 1-10 (x1)

Screw A (x8)
M6x20 Cap

Screw B
No 8 X 1" Woodscrew
PDKPRO 1-7 (x14)
PDKPRO10 (x18)

Left Hand Upright Assembly (x2) & Right Hand Upright Assembly (x2) (PDKPRO1-7 only)

Single Damper Assembly
PROSOFT kits only (x1)

Double Left Hand Upright Assembly (x2) & Double Right Hand Upright Assembly (x2) (PDKPRO10 only)

Apron Plate (x1)
PROSOFT kits only

Strap Bolt & Nut (x1)
PROSOFT kits only

Trigger
PROSOFT kits only

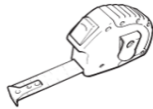
***PLEASE NOTE:** For biparting, non soft close applications, 2 additional door stops are required.

Fixings Required: We recommend that suitable wall fixings & screws (with safe working load of at least 120kg) are used.

TOOLS REQUIRED



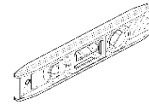
Drill
With magnetic posi head driver



Tape Measure



5mm Allen Key



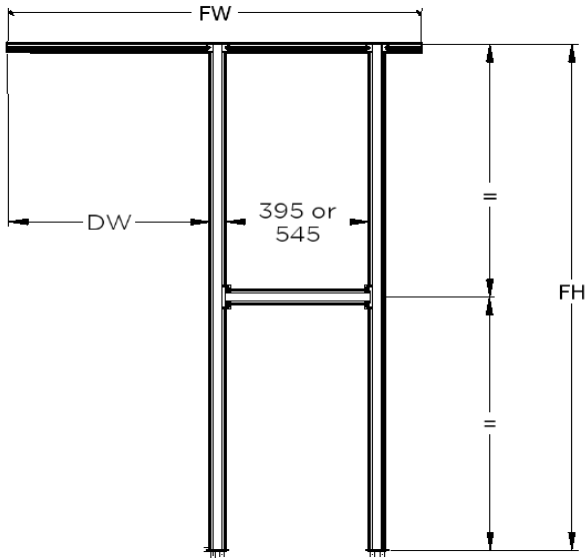
Spirit Level



6mm & 13mm Spanner

POCKET DOOR PRO KIT CONFIGURATION

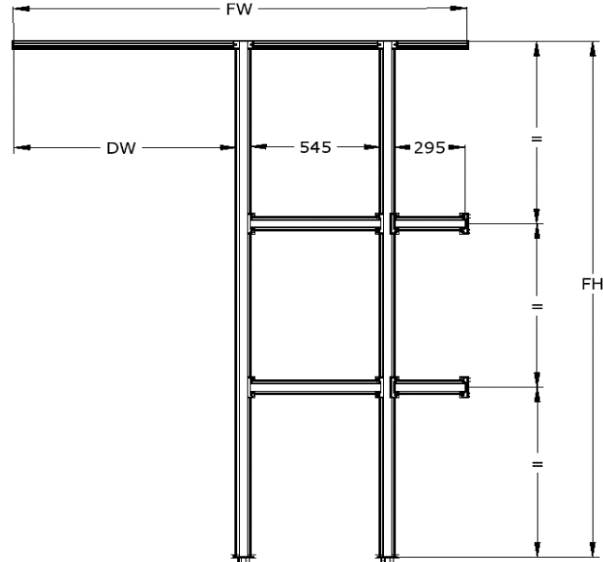
PDKPRO 1-7



KEY

DW = door width
FW = frame width
FH = frame height

PDKPRO10



KEY

DW = door width
FW = frame width
FH = frame height

POCKET DOOR PRO HEADER DETAIL

Header Connector Blocks

Aluminium Header Track

31

19 min -
32 max

Hanger 51/120/SS

Aluminium Upright

NOTE

* When using 120mm kit
** When using 125mm kit
*** Door thickness when specifying with an FD60 liner kit is 54mm

Door Thickness

35 – 45mm***

55* or
60**mm

95* or 100**mm

STEP BY STEP INSTRUCTIONS

NOTE: When installing a self closing liner kit, please refer to steps 1-5 of separate instructions before continuing.

Step 1: Prepare the rough opening.

How to Calculate the Opening Width Required

- Opening width in mm = (door width x 2) + 30mm (or 62mm if using with self-closing mechanism)
- Opening height in mm = door height + 70mm

Note: 70mm allows for door to floor clearance (7 - 20mm range) + top of door to bottom of track clearance (19 - 32mm range) + track height (31mm)

Finished Wall Thickness

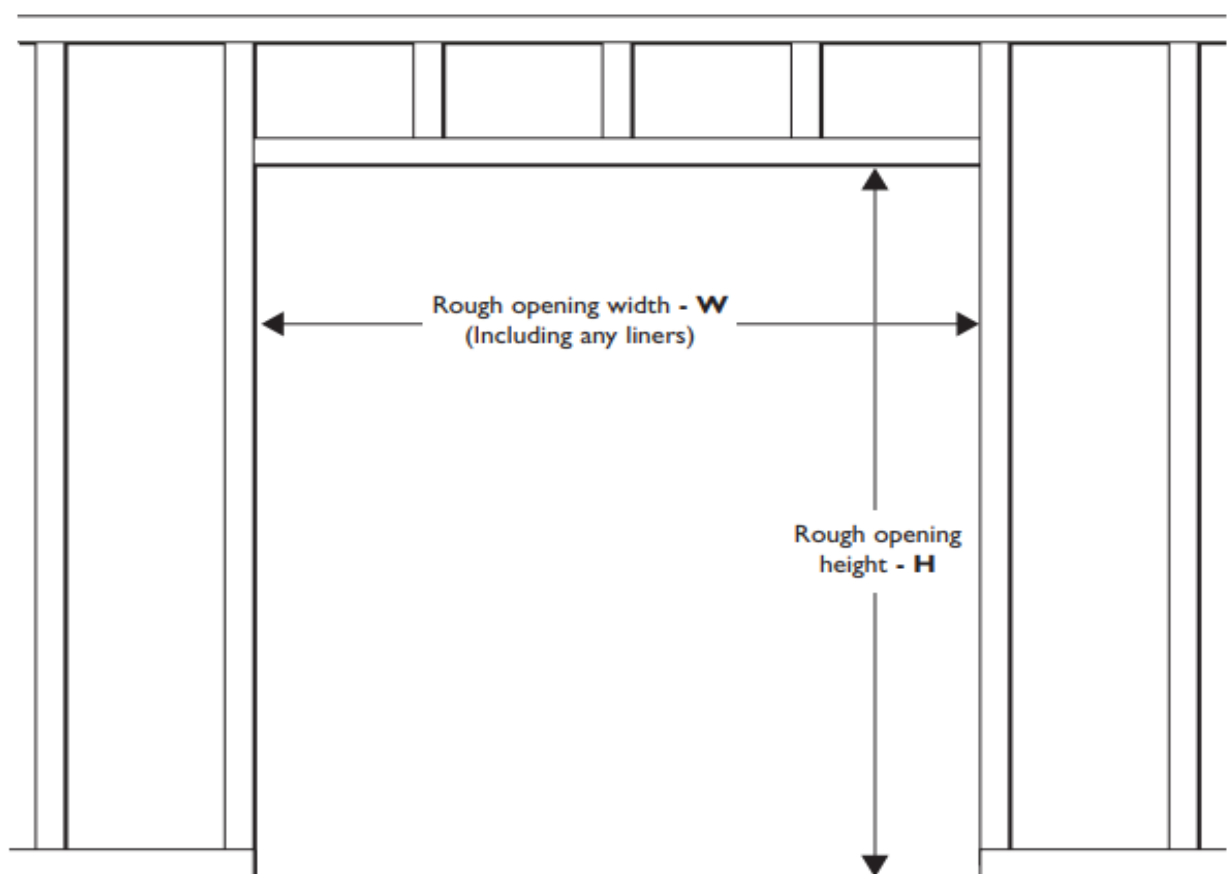
Finished wall thickness = cavity wall width + 12.5mm plasterboard either side e.g.

- 95mm cavity + (12.5mm x 2) = 120mm finished wall thickness
- 100mm + (12.5mm x 2) = 125mm finished wall thickness

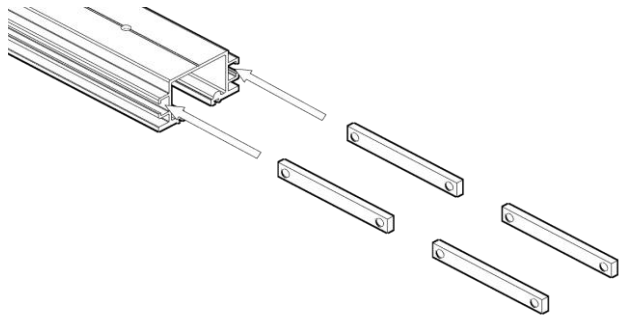
Finished Wall Thickness - Fire Doors

For fire installations, the system should be double boarded with fire rated board on both sides e.g.

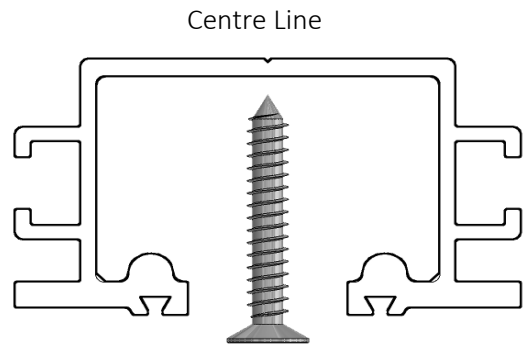
- 95mm cavity + (12.5mm x 4) = 145mm finished wall thickness
- 100mm cavity + (12.5mm x 4) = 150mm finished wall thickness



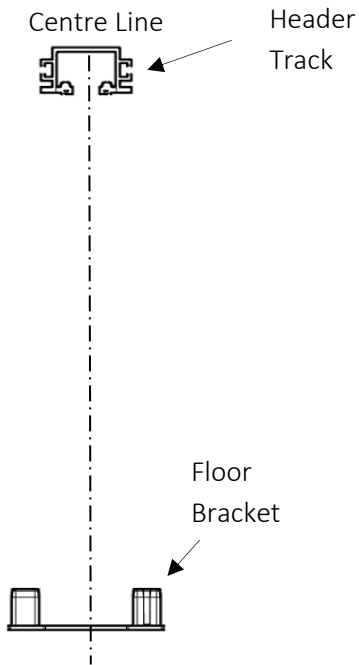
Step 2: Insert fixing plates into side wings of track.



Step 3: Using suitable fixings (not by PCH), centre and fix the track in the soffit location. Make sure the track cut out is used on the opening side.

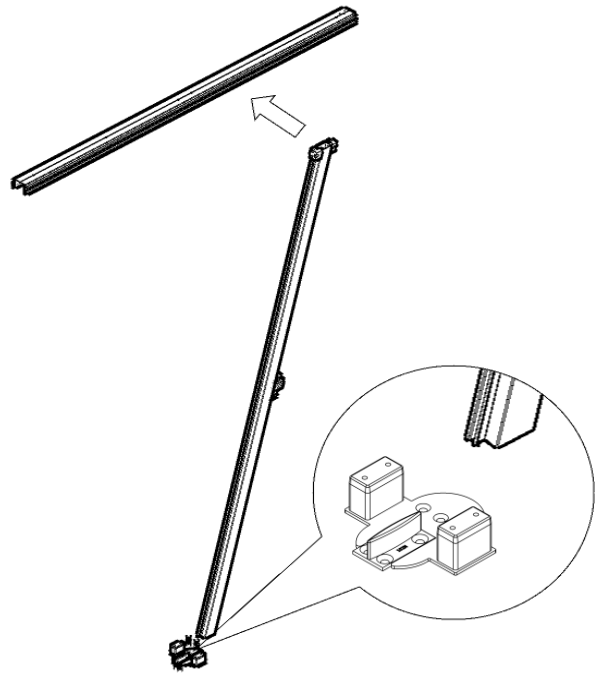


Step 4: Position the floor bracket on the ground so it is roughly in line with the centre of the header track.



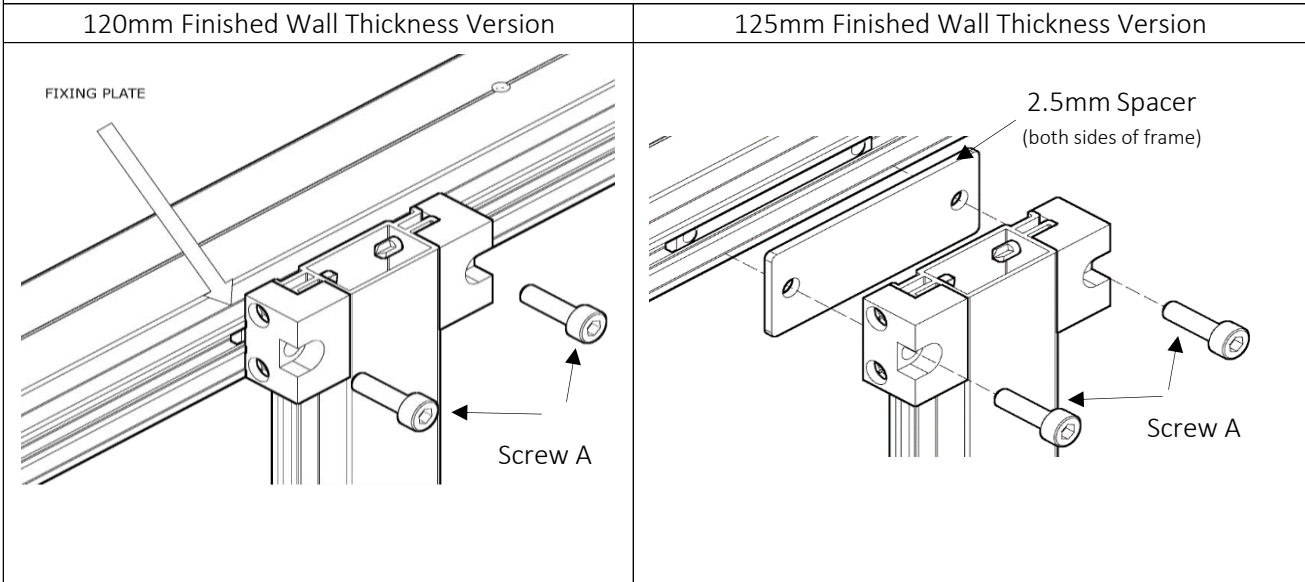
Note: Do not fix into place.

Step 5: Locate assembled upright on to floor guide and move into position.

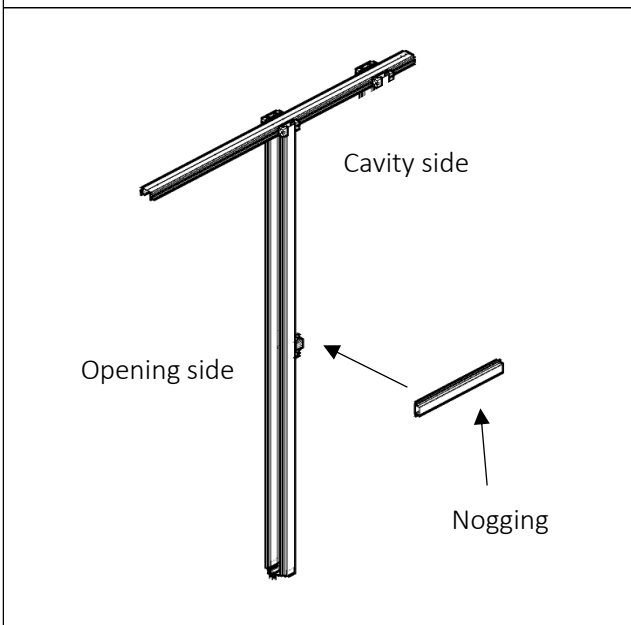


Note: Do not fix into place.

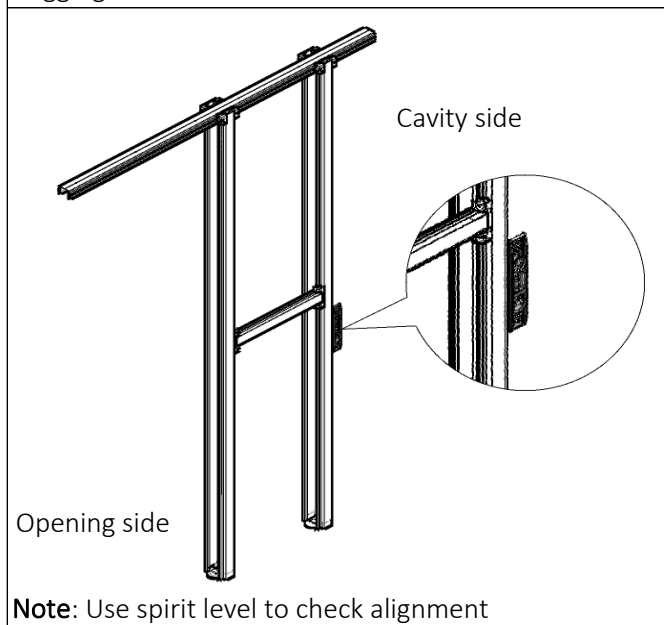
Step 6: Using the positioning detail from page two, affix the uprights to the header track using the fixing plates and screw A. Fix into place.



Step 7: Position noggings onto the pre-assembled plastic spacers.

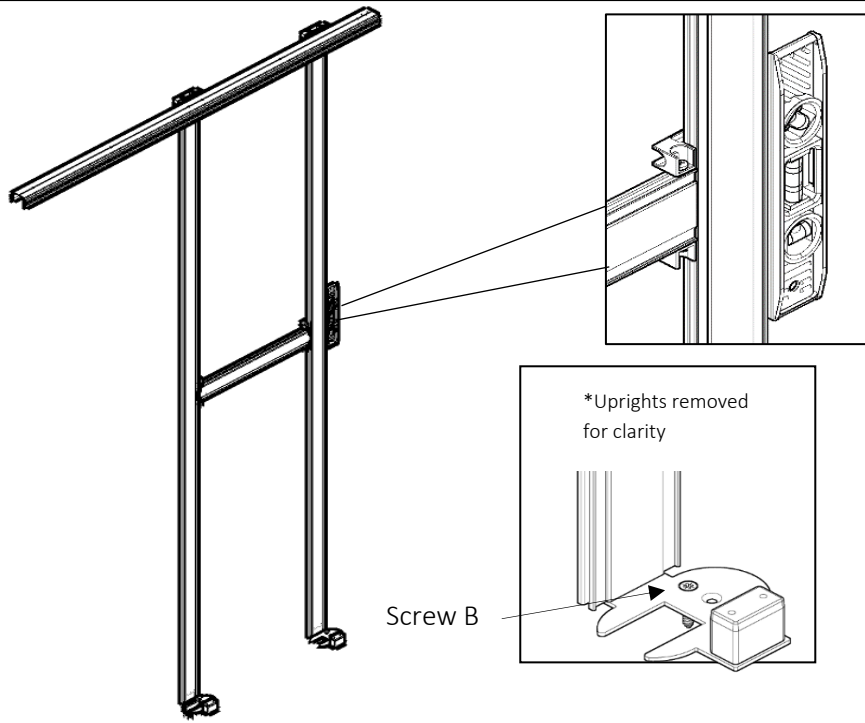


Step 8: Place second upright onto nogging to set width. Noggings are held in place by pre-assembled nogging blocks.



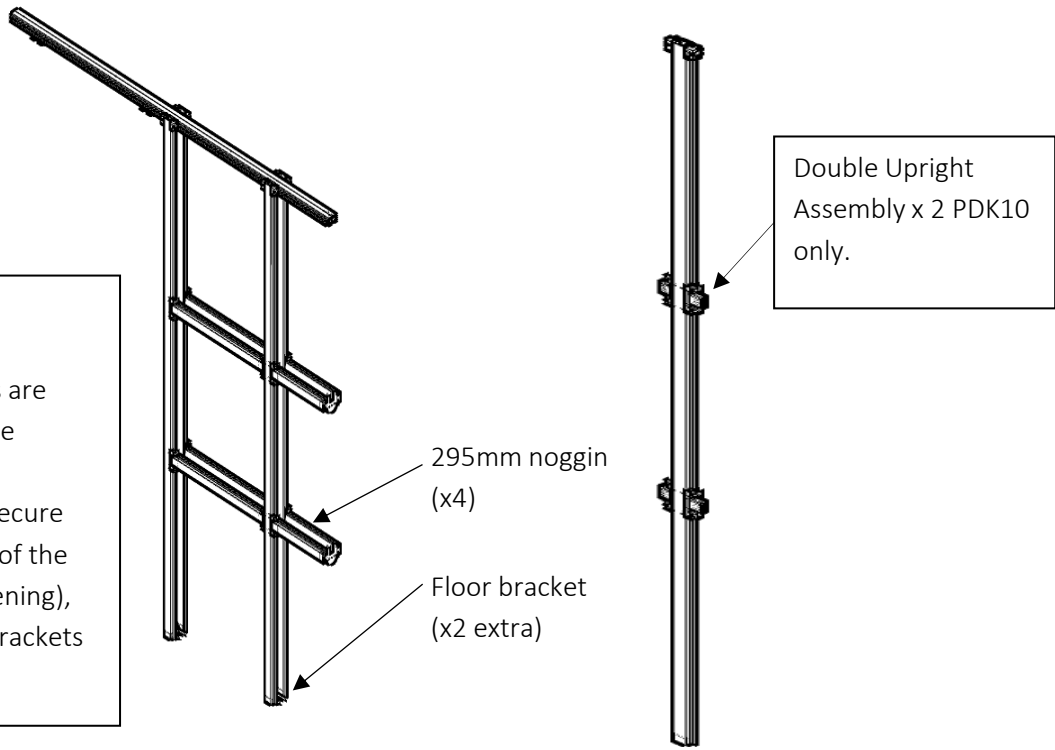
Step 9: Now everything is in place, fix both sets of floor brackets to the floor (using screw B), ensuring correct alignment using spirit level.

PDKPRO1-7 Only

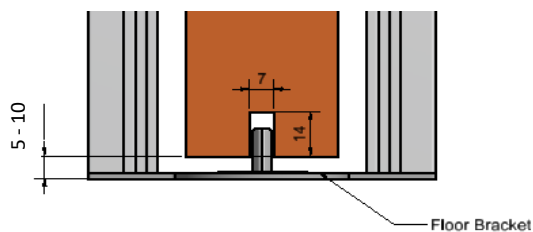


PDKPRO10 Only

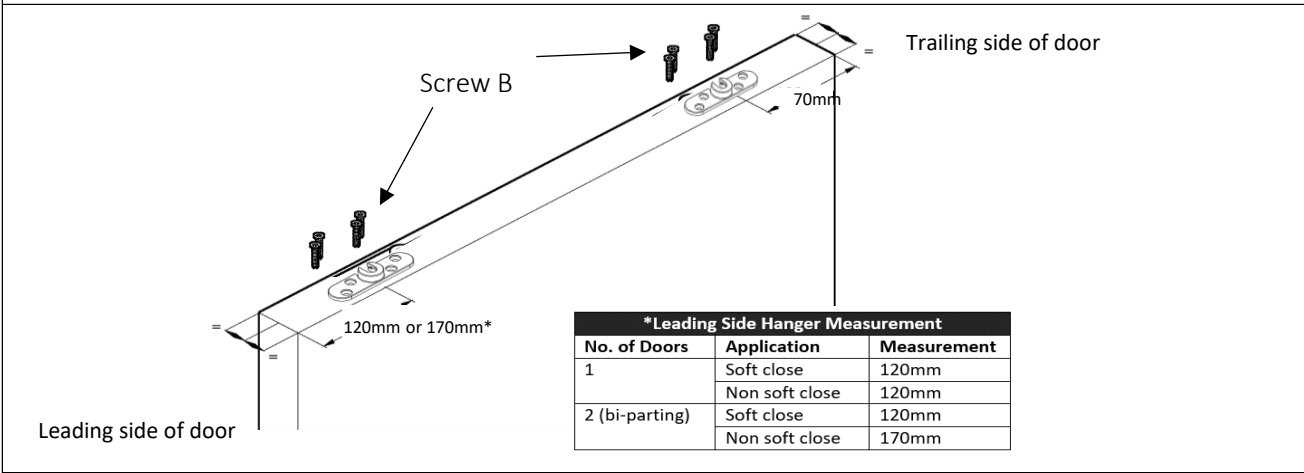
PDK PRO 10 CONFIGURATION
 295mm noggins are used to bridge the double upright assemblies and secure them to the end of the cavity (rough opening), using the floor brackets provided.



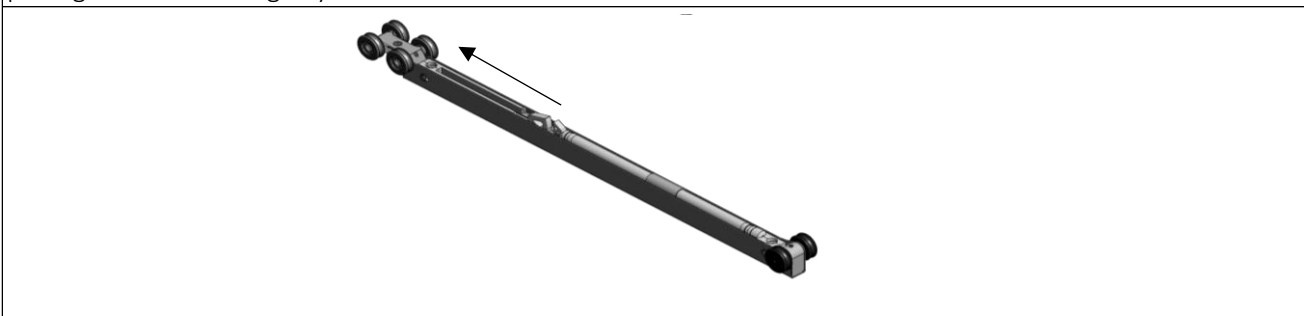
Step 10: Place 102N guide into gap in first floor bracket and screw into position.



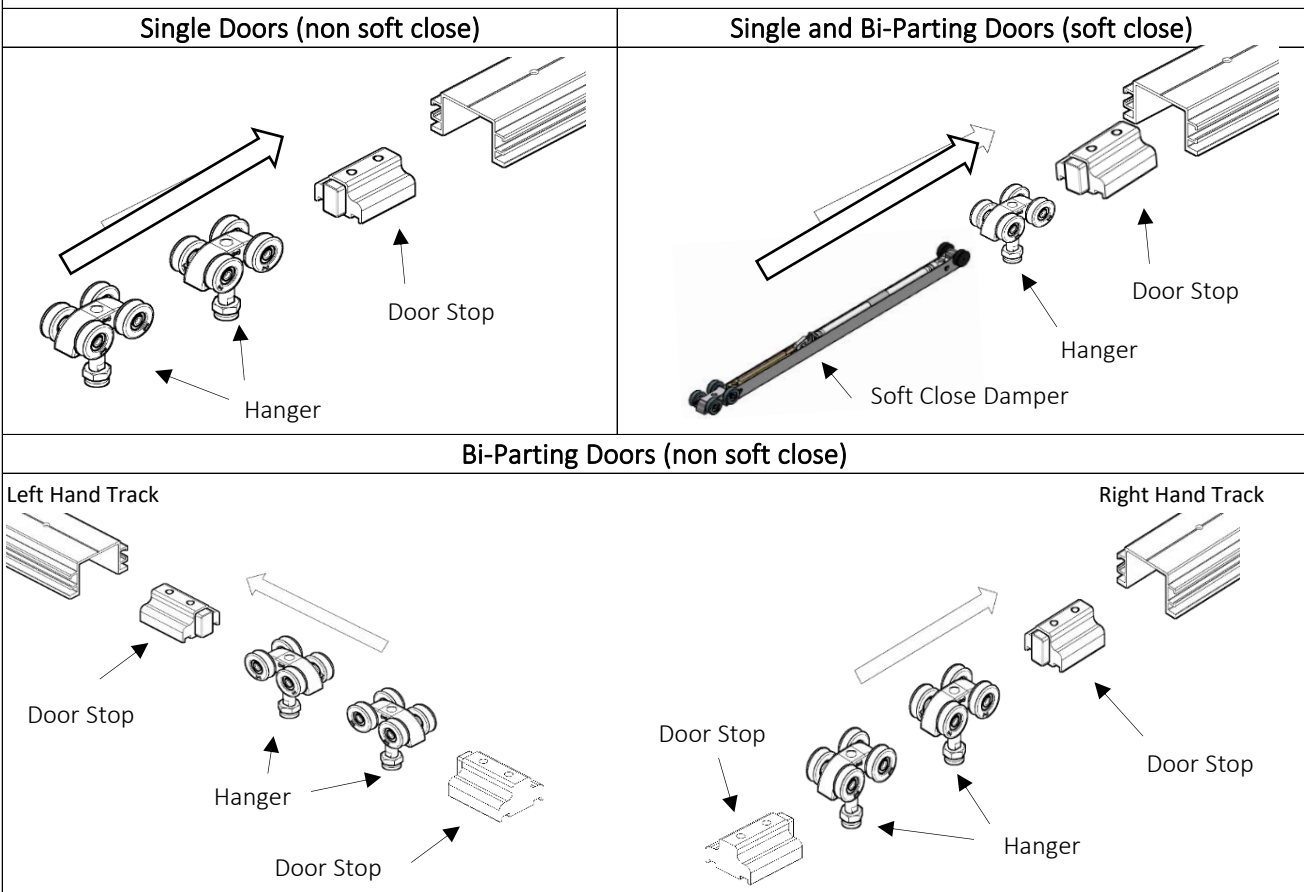
Step 11: Attach apron plates to the door using screw B.



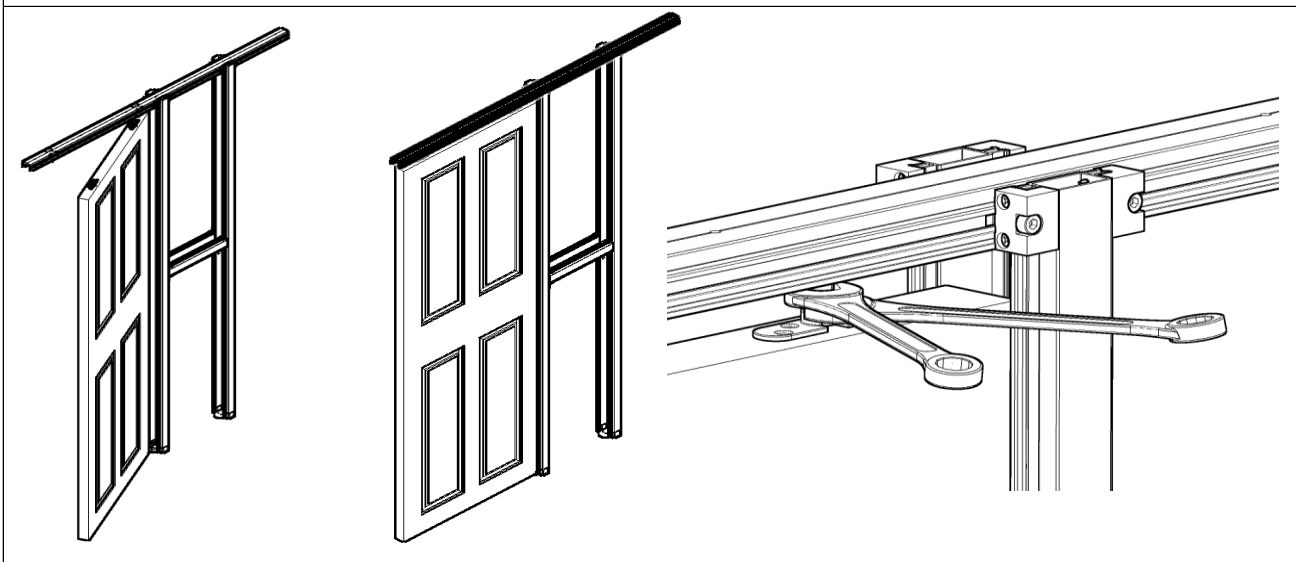
Step 12: For standard PDKPRO kits, skip to step 13. For PROSOFT kits, tension the spring of the soft close by pulling into the holding bay.



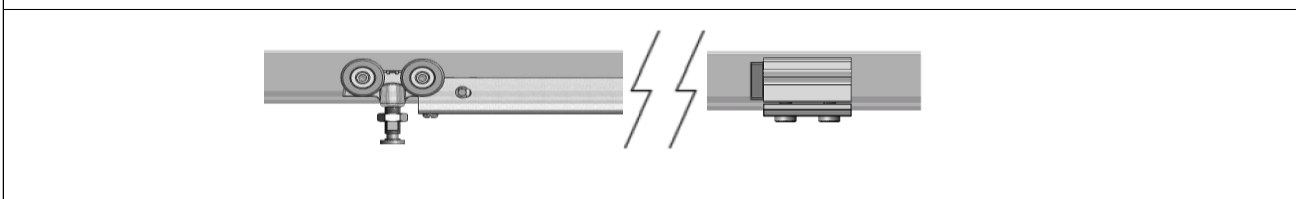
Step 13: Insert components into the track in the order shown (kit dependent)



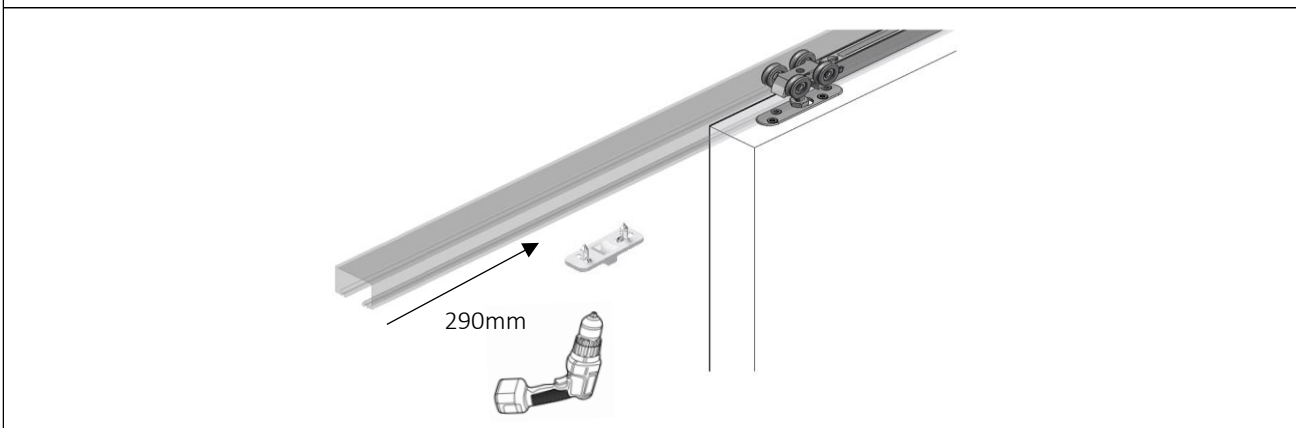
Step 14: Hang the door – attach door to hangers and secure lock nut using 6 and 13mm spanner



Step 15: Position the door to suit and secure track stop into position using an allen key.



Step 16: For PROSOFT installations only, fix the trigger to the underside of the track.



FINISHING TOUCHES

Using spirit level ensure all uprights are positioned correctly and tighten all bolts to fix in place

OPTIONAL EXTRAS

If installing a self closing liner kit, please continue to step 7 of separate fitting instructions.

If installing a non self closing liner kit, please skip to step 11 of separate fitting instructions.

P C Henderson Ltd, Durham Road, Bowburn, Co. Durham, DH6 5NG, UK

UK Sales

t: +44 (0) 191 377 7345
e: sales@pchenderson.com
w: www.pchenderson.com

Export Sales

t: +44 (0) 191 377 7346
e: international@pchenderson.com
w: export.pchenderson.com

664490

LVL08

Feb-20