

POCKET DOOR PRO LINER KIT

HENDERSON





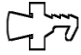



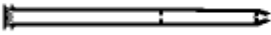

Fitting Instructions

KIT AND DOOR SPECIFICATION					
Kit Short Code	For Use With	Fire Rating	Self Close	Max. Door Size	Door Thickness Range
LK/***	PDKPRO1-7	None	None Self Closing	2040mm x 826mm	35 – 44mm
LK10/***	PDKPRO10			2315mm x 930mm	
LKFD30/***	PDKPRO1-7	FD30		2040mm x 826mm	44mm only
LK10FD30/***	PDKPRO10			2315mm x 930mm	
LKFD60/125	PDKPRO1-7	FD60		2040mm x 826mm	54mm only
LK10FD60/125	PDKPRO10			2315mm x 930mm	
SCLK/***	PDKPRO1-7	None	Self-Closing	2040mm x 826mm	35 – 44mm
SC10/***	PDKPRO10			2315mm x 930mm	
SCLKFD30/***	PDKPRO1-7	FD30		2040mm x 826mm	44mm only
SC10FD30/***	PDKPRO10			2315mm x 930mm	
SCLKFD60/125	PDKPRO1-7	FD60*		2040mm x 826mm	54mm only
SC10FD60/125	PDKPRO10			2315mm x 930mm	


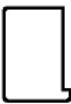








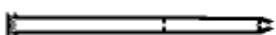

*** For full short code please replace with required finished wall thickness size - 120 or 125 (mm). *FD60 only available for 125mm finished wall thickness

NOTE: For self-closing liner kits, these fitting instructions should be used in conjunction with our Pocket Door Pro Self Close instructions.

KIT CONTENTS – NON FIRE RATED KIT

				
1 x Track Packer	1 x Brush Header	2 x Brush Upright	1 x Jamb Upright	Brush Strip x2 2 x Long for 35mm doors 2 x Short for 35mm doors 2 x Long for 44mm doors 2 x Short for 44mm doors
				
2 x Acoustic Seal	18 x Pozi Drive Screw Cap	6 x Screw A 4.8 x 45mm Self-Drilling	12 x Screw B 10G x 4" Wood	9 x Screw C 1 3/4" x 8G Wood Screw

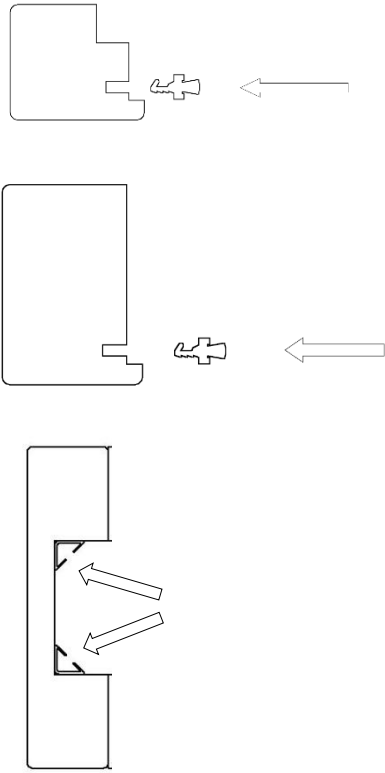
KIT CONTENTS – FIRE RATED KIT

				
1 x Track Packer	1 x Non Brush Header	2 x Non Brush Upright	2 x Acoustic Seal	1 x Jamb Intumescent Upright
				
2 x Intumescent Strip 30mm X 4mm	Intumescent Strip 15mm x 4mm 4 x Long 2 x Short	2 x Intumescent Strip 10mm x 4mm (FD60 Kit Only)		
				
18 x Pozi Drive Screw Cap	6 x Screw A 4.8 x 45mm Self-Drilling	12 x Screw B 10G x 4" Wood	9 x Screw C 1 3/4" x 8G Wood Screw	

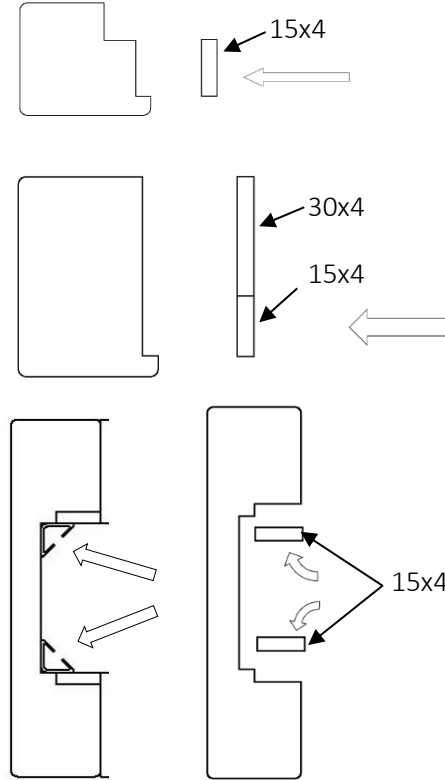
STEP BY STEP INSTRUCTIONS

NOTE: For non-fire rated systems follow STEP1A; for FD30 systems follow STEP 1B; for FD60 systems follow STEP1B and C.

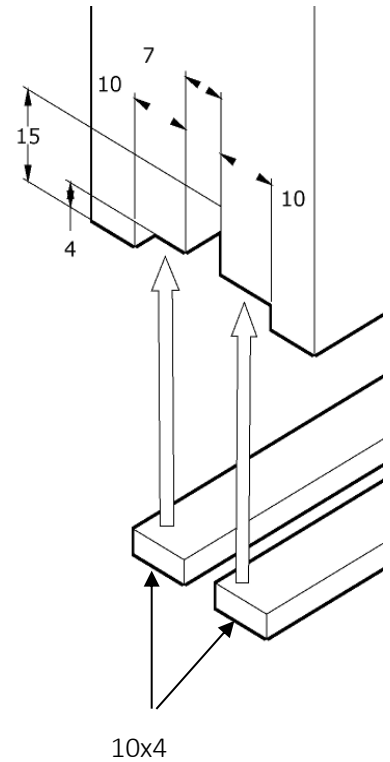
STEP 1A: Add brush strips & acoustic seal to non-fire rated liner kit



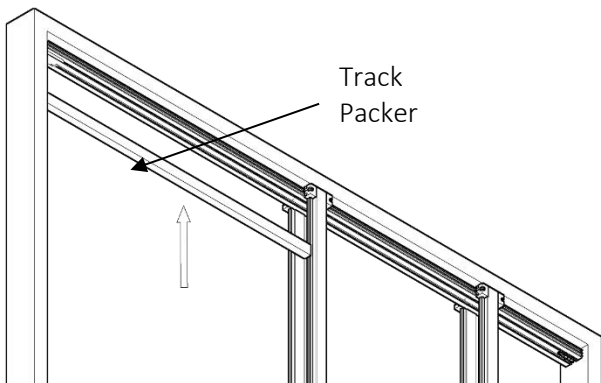
STEP 1B: Add intumescent strips and acoustic seal to fire rated liner kit



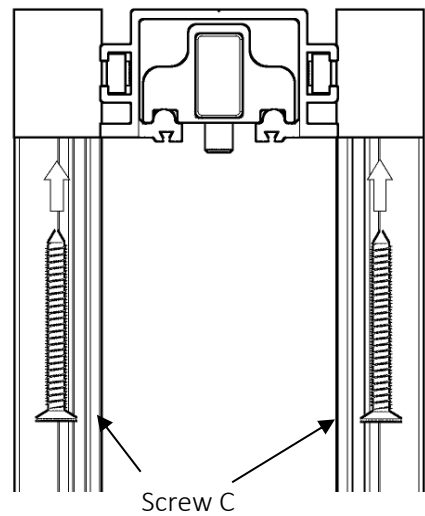
STEP 1C: Add intumescent strips to FD60 door (FD60 kit only)



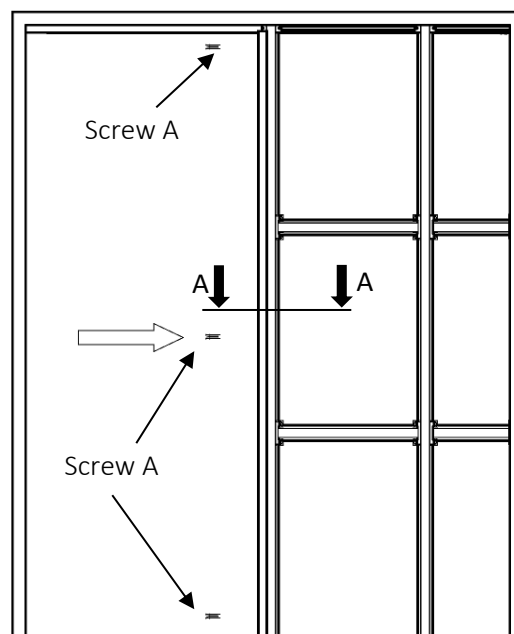
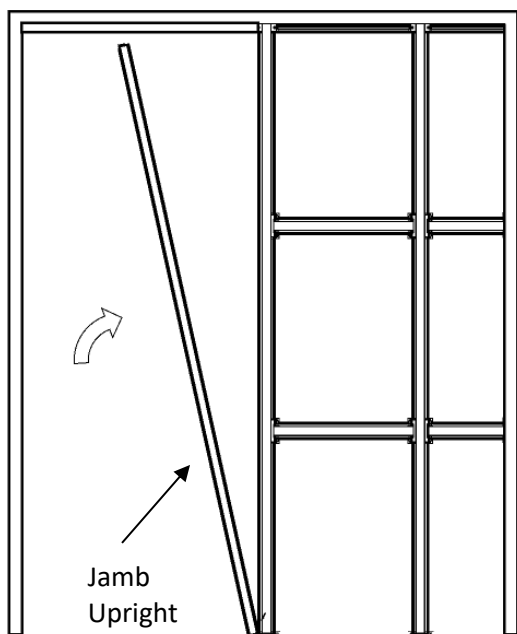
STEP 2: Cut track packer to suit opening and secure with screw C (pilot drill & countersink if required)



Track Packer Reduction Calculation
 $\text{Reduction} = \text{Door Width (DW)} - 12.5\text{mm}$

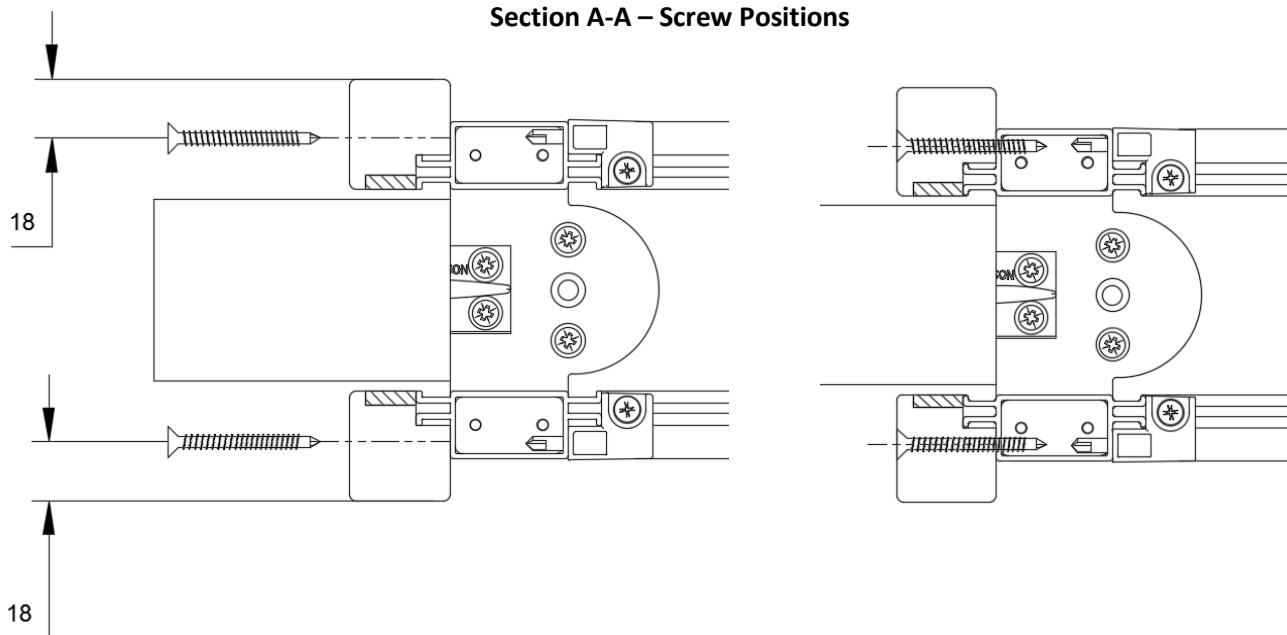


STEP 3: Cut down upright to suit opening and secure with screw A (pilot drill & countersink if required)



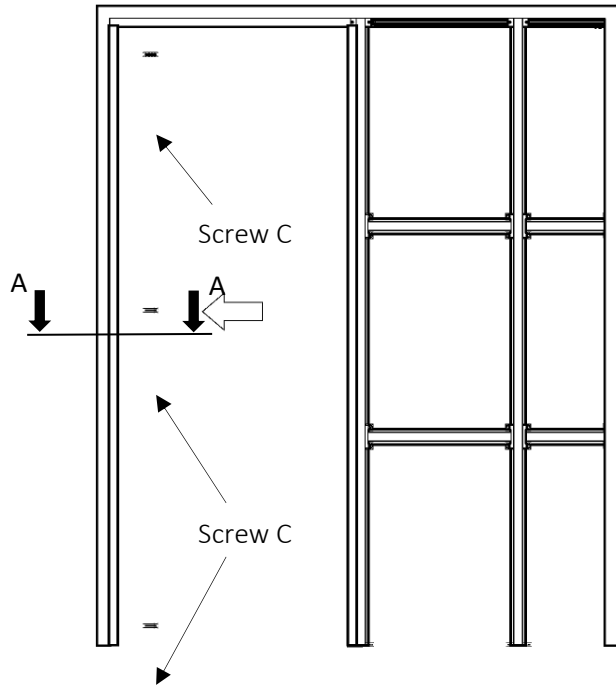
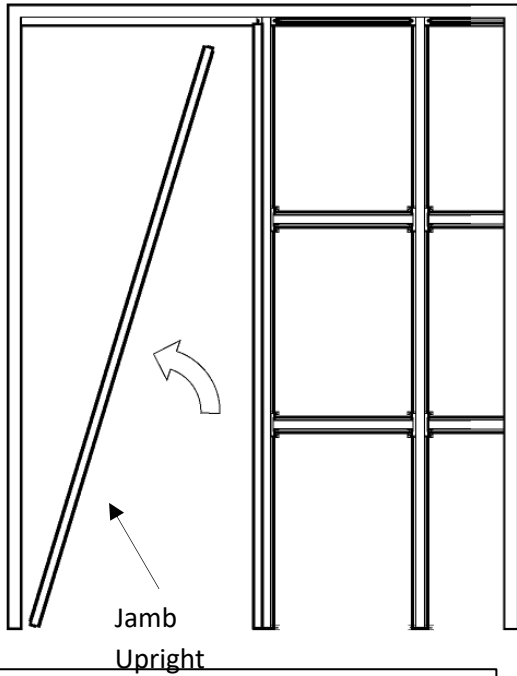
Cavity Upright Timber Reduction Calculation
Reduction = Opening Height (OH) – 30mm

Section A-A – Screw Positions



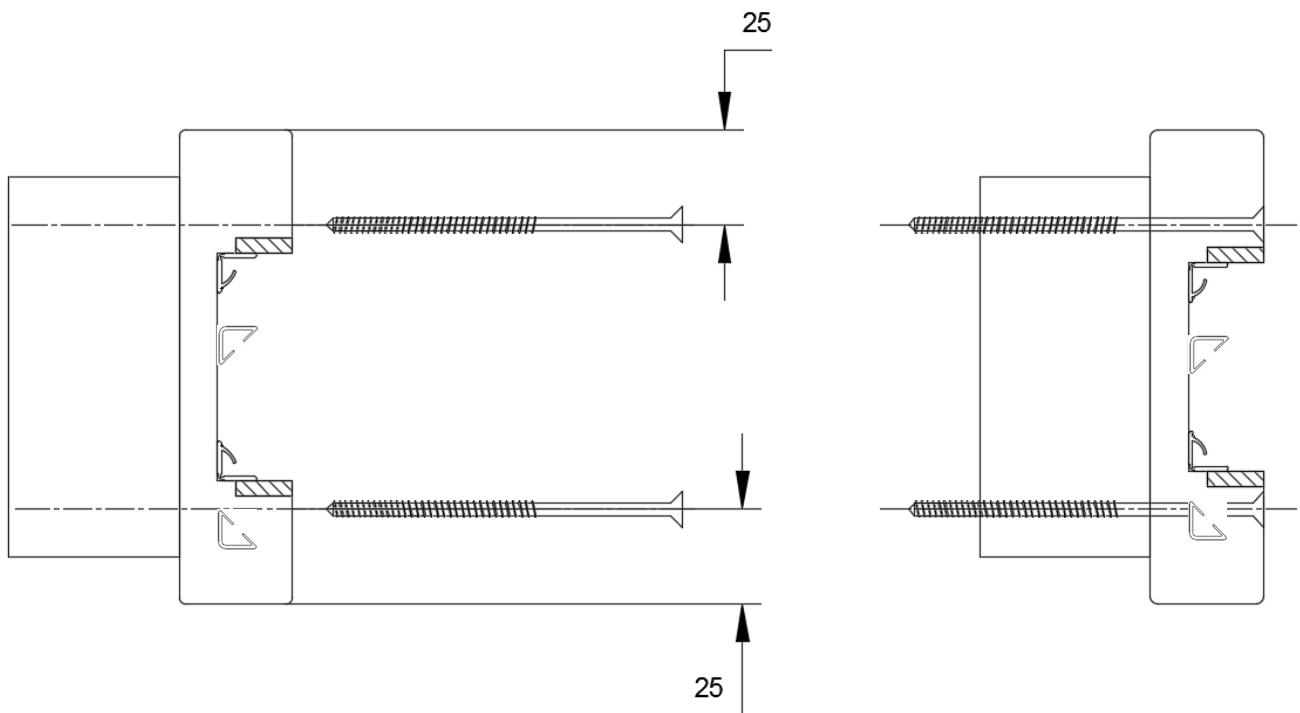
NOTE: For regular kits follow STEP4A, for self-closing systems follow STEP 4B.

STEP 4a: Cut down jamb upright to suit opening and secure with screw C (pilot drill & countersink if required)

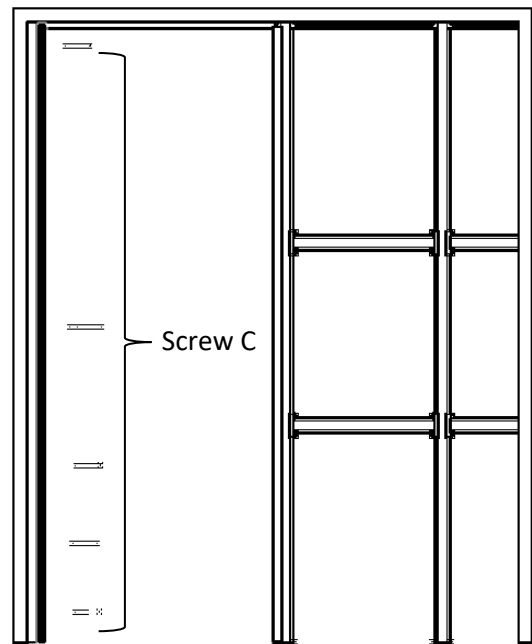
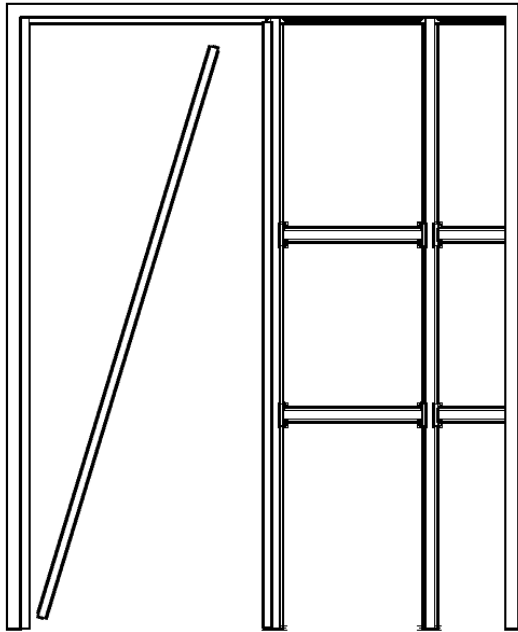


Jamb Timber Reduction Calculation
Reduction = Opening Height (OH) – 30mm

Section A-A – Screw Positions

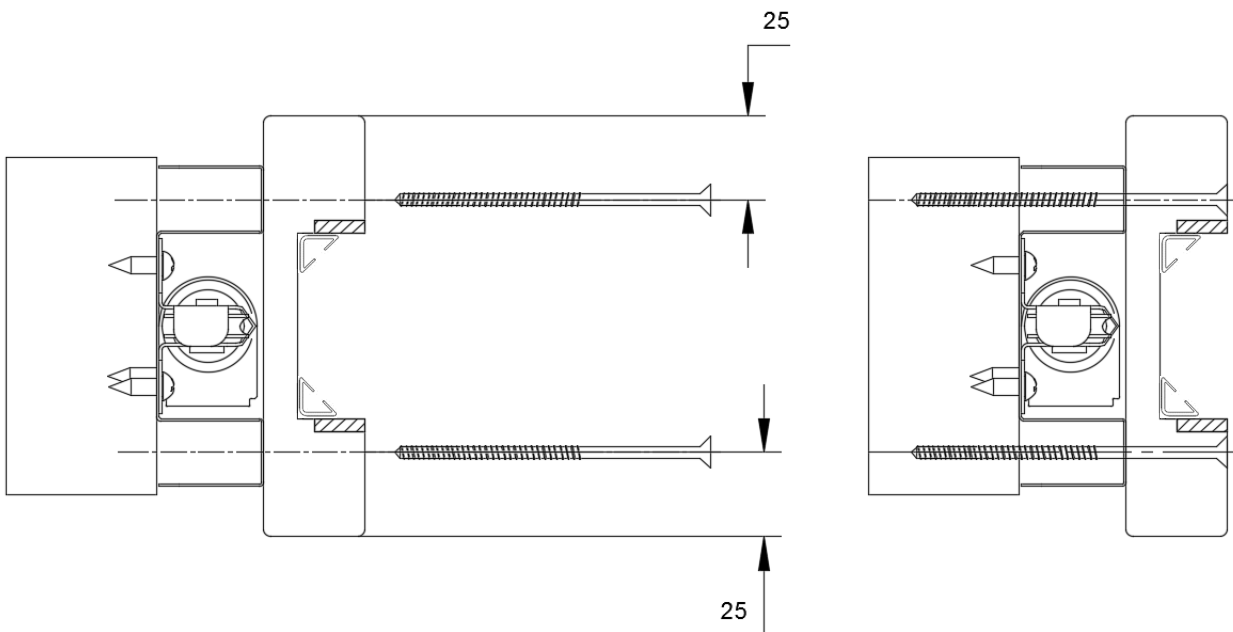


STEP 4b: For use of liner kit for self-closing mechanism; cut down jamb upright to suit opening and secure with Screw C. (pilot drill & countersink if required)

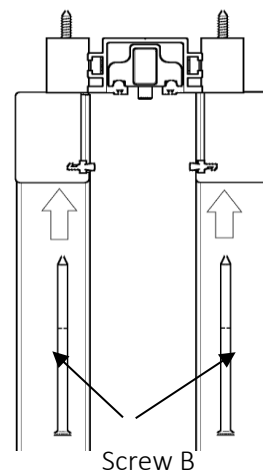
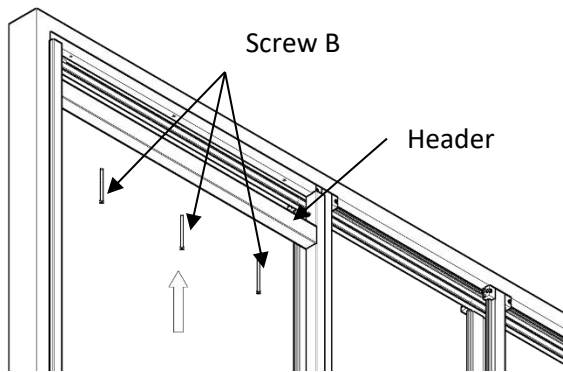


Jamb Timber Reduction Calculation

$$\text{Reduction} = \text{Opening Height (OH)} - 30\text{mm}$$



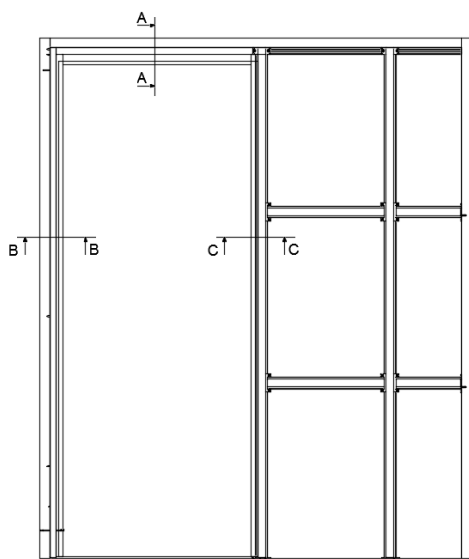
STEP 5: Cut header in half or to suit opening and secure with screw C (pilot drill & countersink if required).



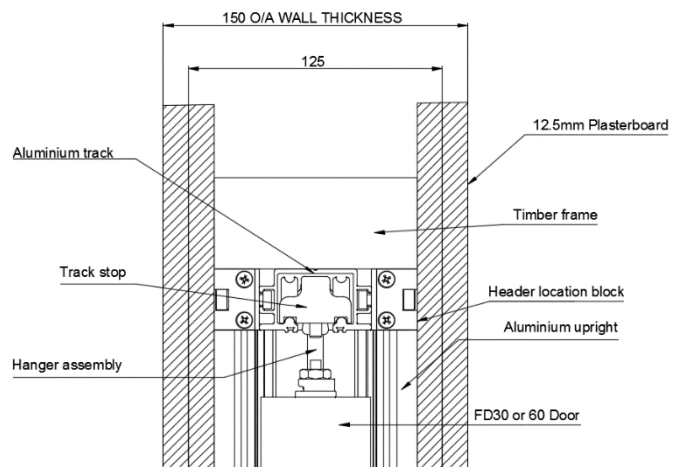
Header Timber Reduction Calculation
 Door width (DW) – 50mm = X

FIRE RATED VERSION:

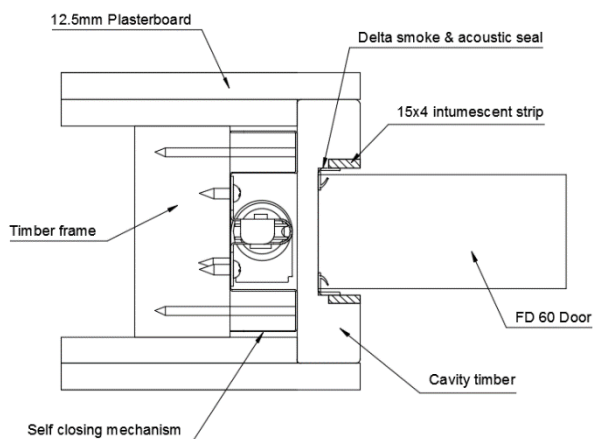
To ensure compliance with BS 476 Part 22 – PDK PRO should be double boarded with 12.5mm fire rated board. See page 3 of Pocket Door Pro fitting instructions for full equation.



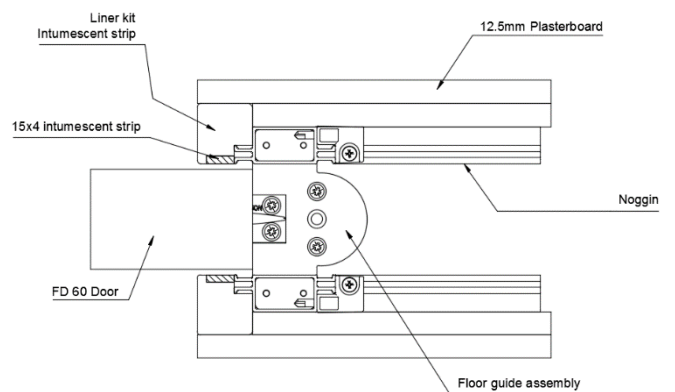
Section A



Section B



Section C



NOTES SPECIFIC TO ADDITION OF SELF-CLOSING MECHANISM

- When adding a self-closing system to the kit, ensure mechanism is adjusted to suit closing speed requirements (see separate instructions for details).
- Should you require to change the door within a system, ensure the self-closing mechanism is re adjusted to suit new door.

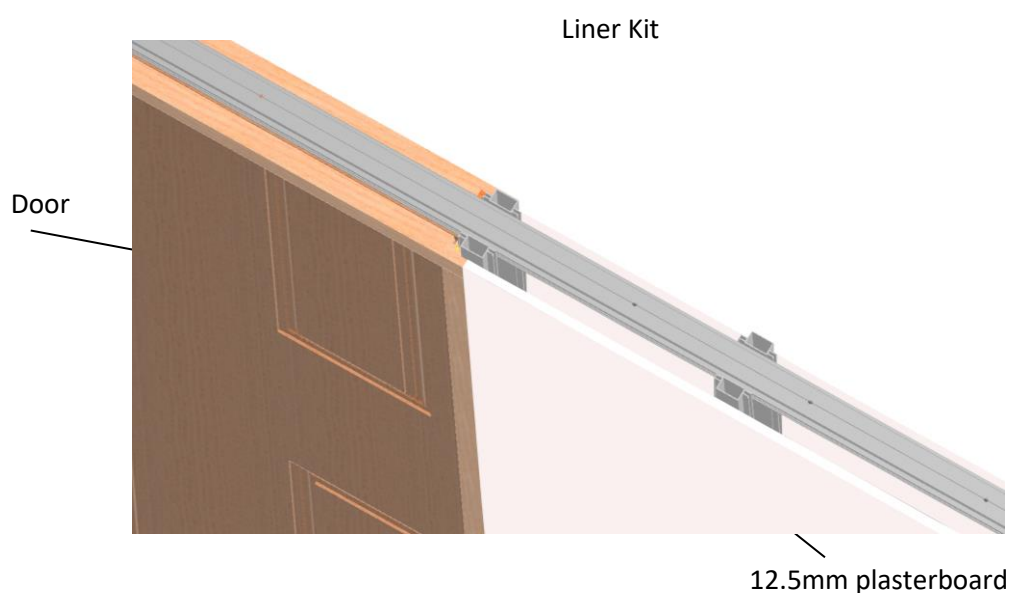
FINISHING TOUCHES

1. Finish off installation by adding provided screw caps to exposed screw heads.
2. Ensure plasterboard is butted up tight against the outside of all the jambs.
3. For fire installation applications, plasterboard requirement is double.

ARCHITRAVE FREE INSTALLATION - OPTIONAL

NON-FIRE RATED SYSTEM

Install the 12.5mm plasterboard in-line with the liner kit for a flush finish.



FIRE RATED SYSTEM

Install the first layer of 12.5mm fire board in line with the liner kit and the second layer on top of the first layer for a flush finish.

P C Henderson Ltd, Durham Road, Bowburn, Co. Durham, DH6 5NG, UK

UK Sales

t: +44 (0) 191 377 7345

e: sales@pchenderson.com

w: www.pchenderson.com

Export Sales

t: +44 (0) 191 377 7346

e: international@pchenderson.com

w: export.pchenderson.com

664488

LVL4

JUNE 2019