

**FITTING INSTRUCTIONS - NOTICE DE POSE - MONTAGE HANDLEIDING -
MONTAGEANLEITUNG ISTRUZIONI DI MONTAGGIO - INSTUCCIONES DE MONTAJE**

Warranty. This product is covered by a 10 year manufacturer's warranty. Please see the P C Henderson website for terms and conditions.

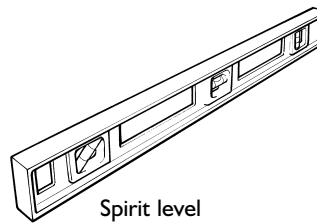
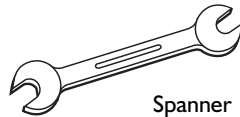
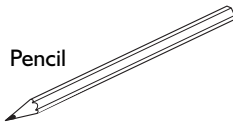
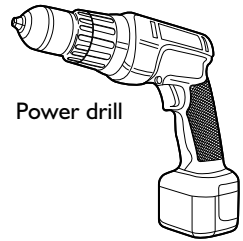
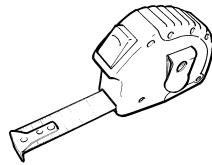
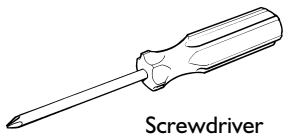
WATCH THE INSTALLATION VIDEO

Visit: www.pchenderson.com/rustic-installation

Or scan the QR code using your phone



Tools Required



Contents of Kit

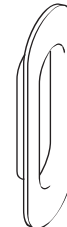


*M8x85 (x5) 2M (x7) 3M



(x5) 2M
(x7) 3M

(x2)



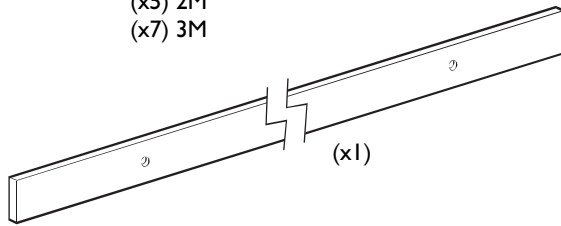
(x2)



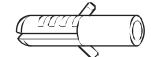
ST4.2x25 (x2)



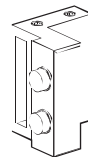
*M8x60 (x5) 2M
(x7) 3M



(x2)



(x2)



(x2)

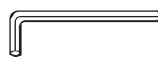


(x1)



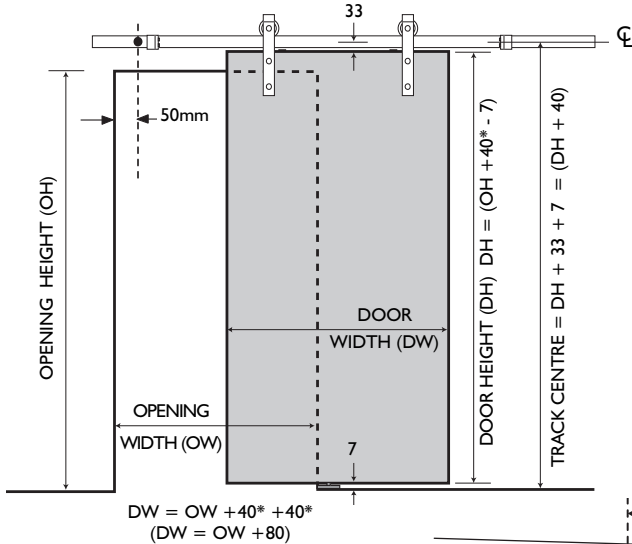
*M8x25 (x5) 2M
(x7) 3M

(x1)

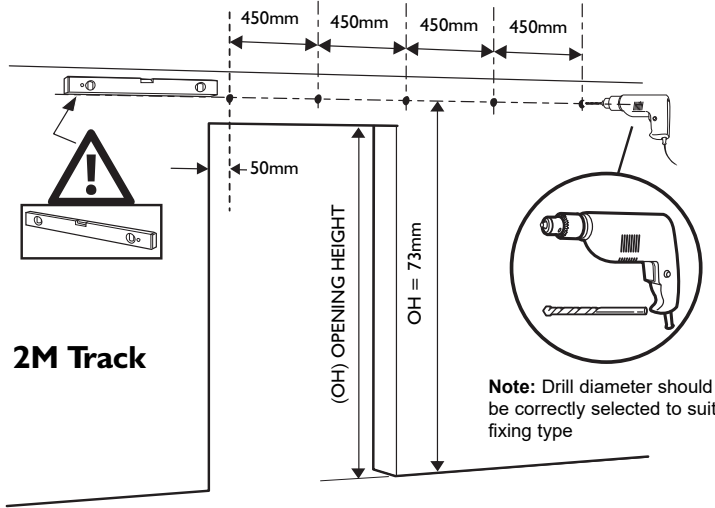


*Alternative track fixings provided - depending on wall type

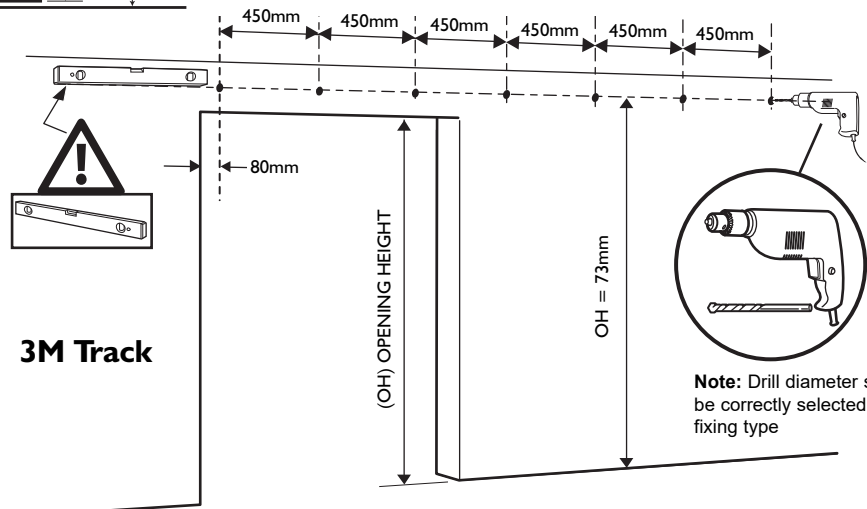
I. Mark and drill fixing holes



*PCH Suggests 40mm overlap of the door to the opening.

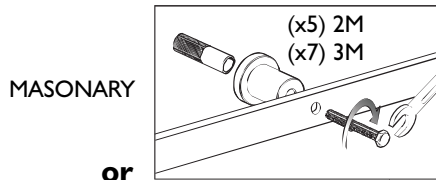


Note: Drill diameter should be correctly selected to suit fixing type

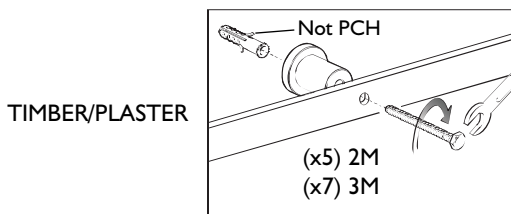


Note: Drill diameter should be correctly selected to suit fixing type

2. Fix M8 screw inserts, spacers and track to wall

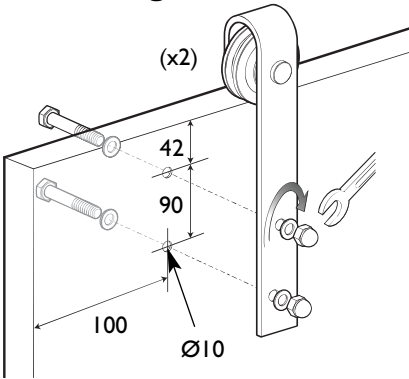


or

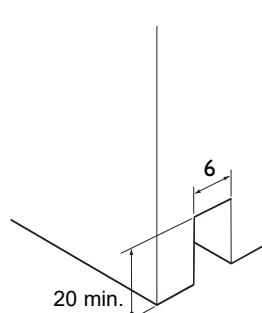


* It is the installers responsibility to ensure the correct fixing/wall insert is suitable to be used, depending on wall type/quality. The structure of the wall must also be able to take the weight of the door and system.

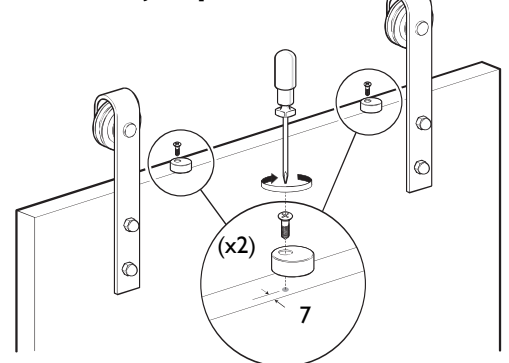
3. Fix hangers to door



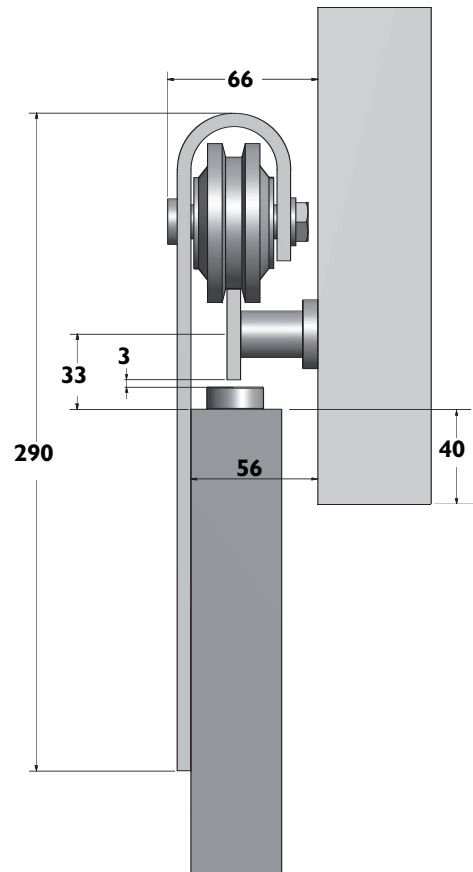
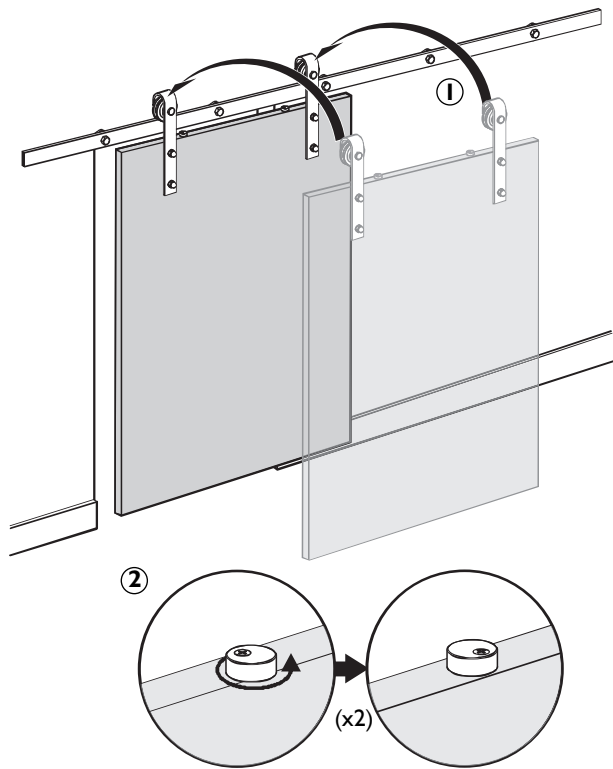
4. Floor guide routing detail



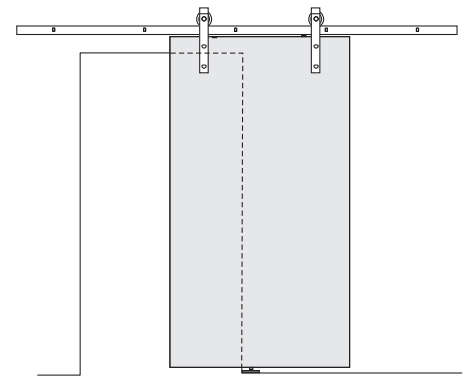
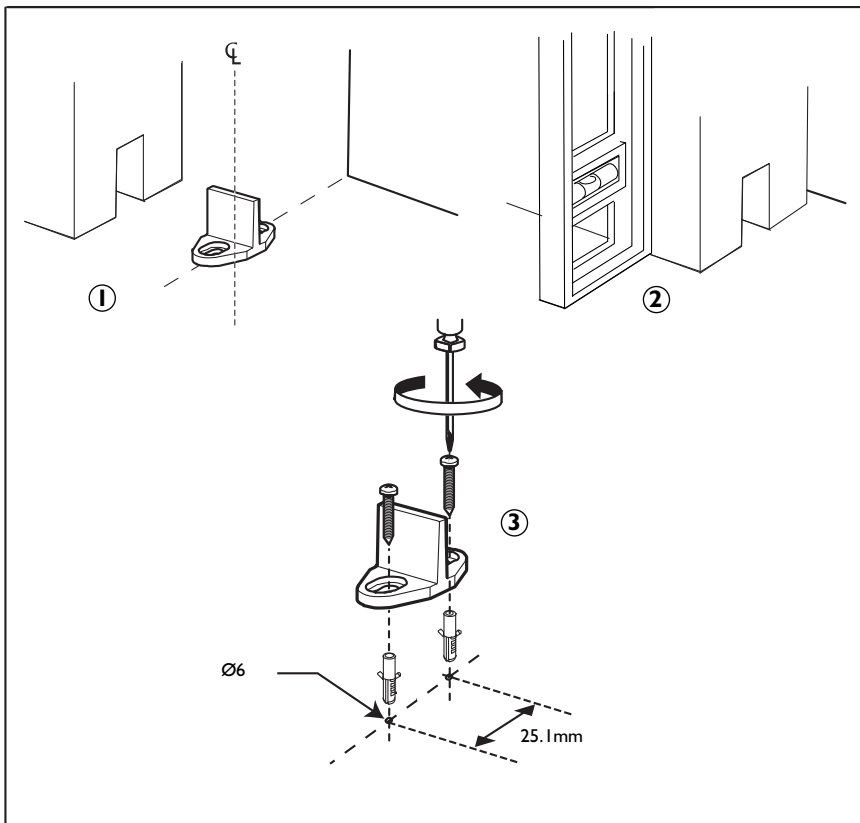
5. Fit anti-jump cams



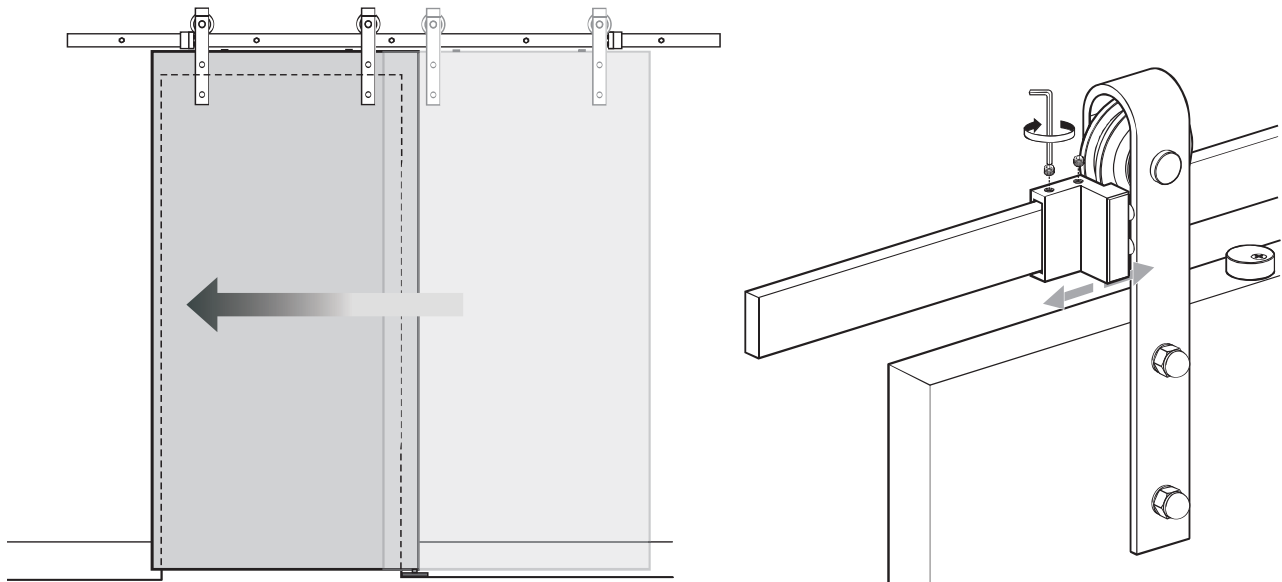
6. Hang door and adjust anti-jump cams



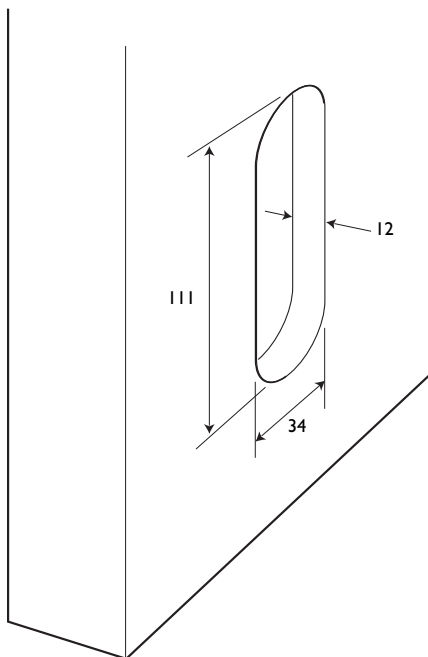
7. Fit floor guide



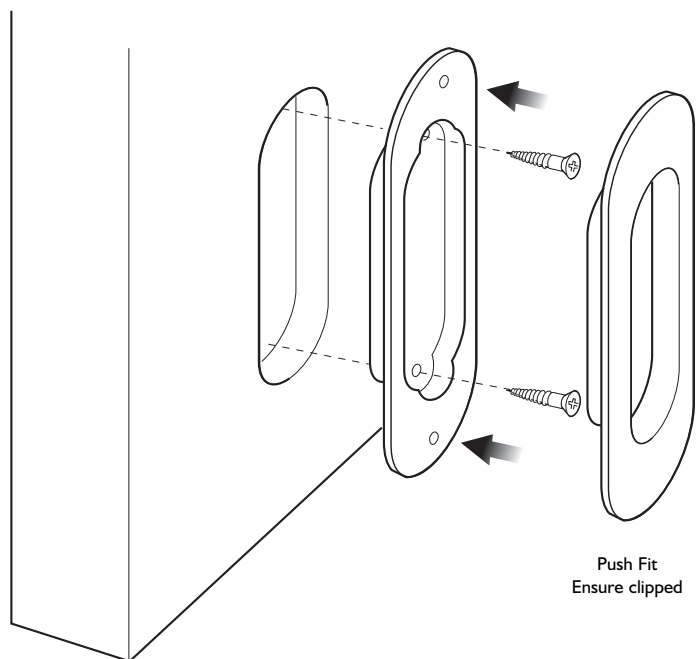
8. Fit and adjust door stops



9. Flush pull handle routing detail



10. Fit flush pull handle



P C Henderson Ltd, Durham Road, Bowburn, Co. Durham, DH6 5NG, UK

UK Sales

t: +44 (0) 191 377 7345

e: sales@pchenderson.com

w: www.pchenderson.com

Export Sales

t: +44 (0) 191 377 7346

e: international@pchenderson.com

w: export.pchenderson.com

UK Registered Address: P C Henderson Ltd, Durham Road, Bowburn, Co. Durham, DH6 5NG

Republic of Ireland Registered Address: P C Henderson Ltd, Westlink Industrial Estate, Kylemore Road, Dublin 10, Ireland

Holland Registered Address: Henderson Nederland BV, Rootveen 14, 5531 MB, Bladel

Part No: 440155

March 2020

Issue 12

