

**FITTING INSTRUCTIONS - NOTICE DE POSE - MONTAGE HANDLEIDING - MONTAGEANLEITUNG
ISTRUZIONI DI MONTAGGIO - INSTRUCCIONES DE MONTAJE**

Warranty. This product is covered by a 10 year manufacturer's warranty. Please see the P C Henderson website for terms and conditions.

WATCH THE INSTALLATION VIDEO

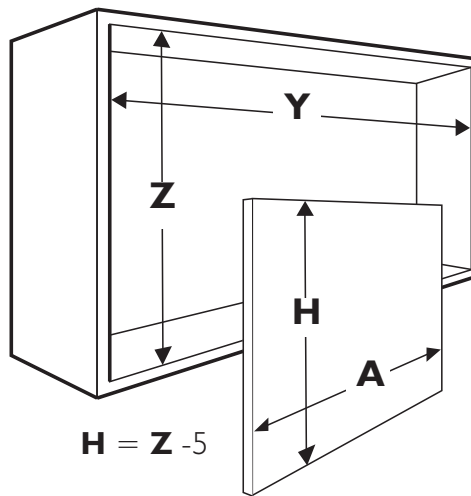
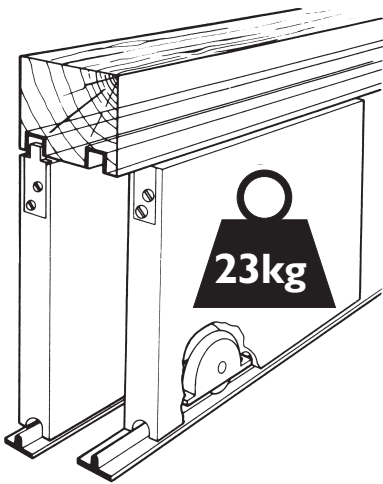
Visit: www.pchenderson.com/loretto-installation

Or scan the QR code using your phone

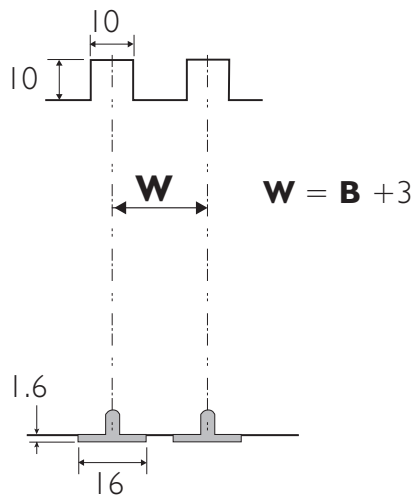


B = 19 to 45mm

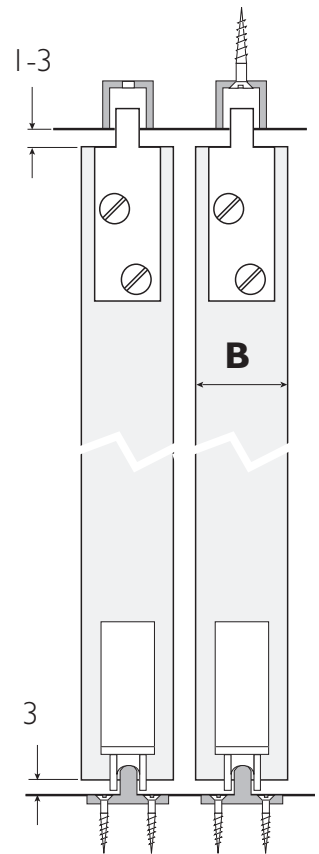
A = $\frac{Y}{2} + 20\text{mm}$



H = **Z** - 5



W = **B** + 3

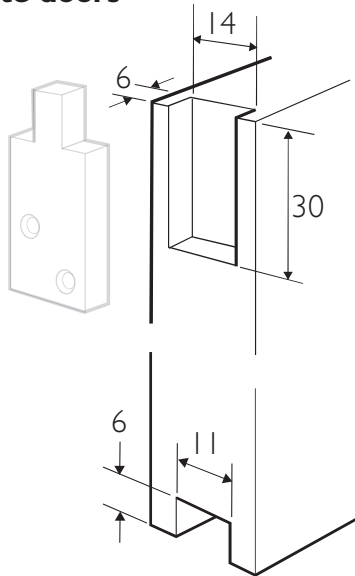


OPENING WIDTH/
TRACK LENGTH

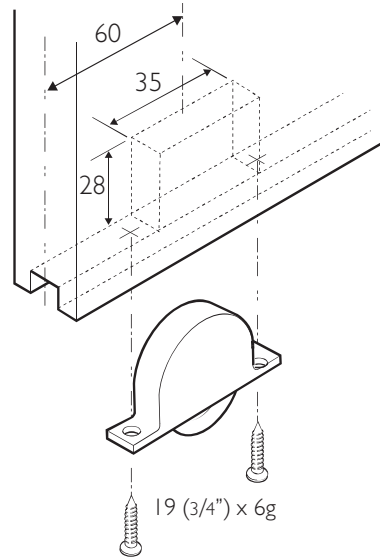


KIT	OPENING WIDTH/ TRACK LENGTH (Y)	MAX DOOR WEIGHT	No. OF DOORS
D4	1200mm	23kg	2
D5	1500mm	23kg	2
D6	1800mm	23kg	2

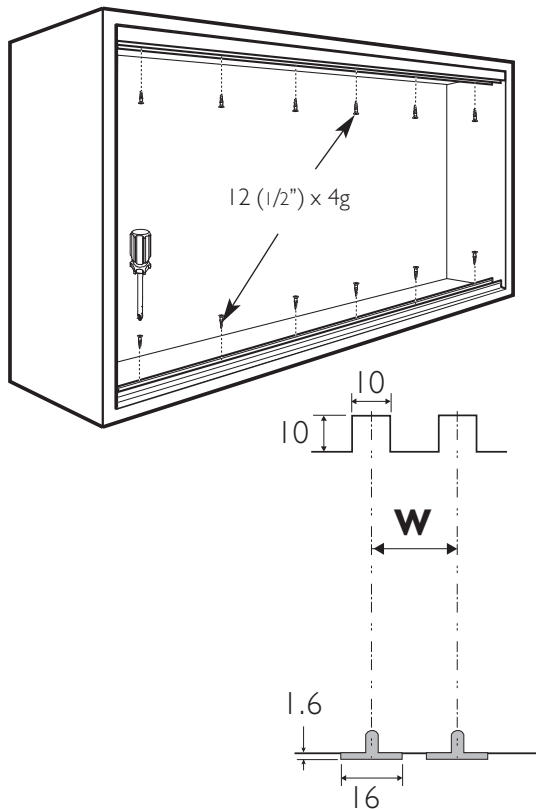
1 Rebate doors



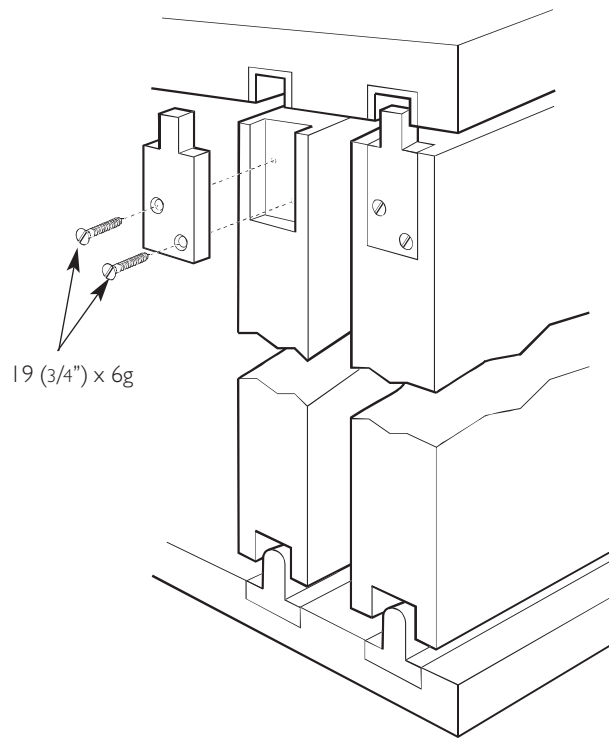
2 Fit bottom rollers x 2 per door



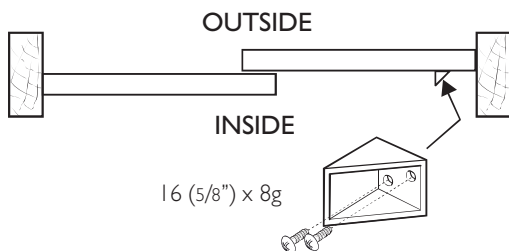
3 Fit top and bottom tracks



4 Fit guides x 2 per door



5 Fit door stop



All dimensions in mm

