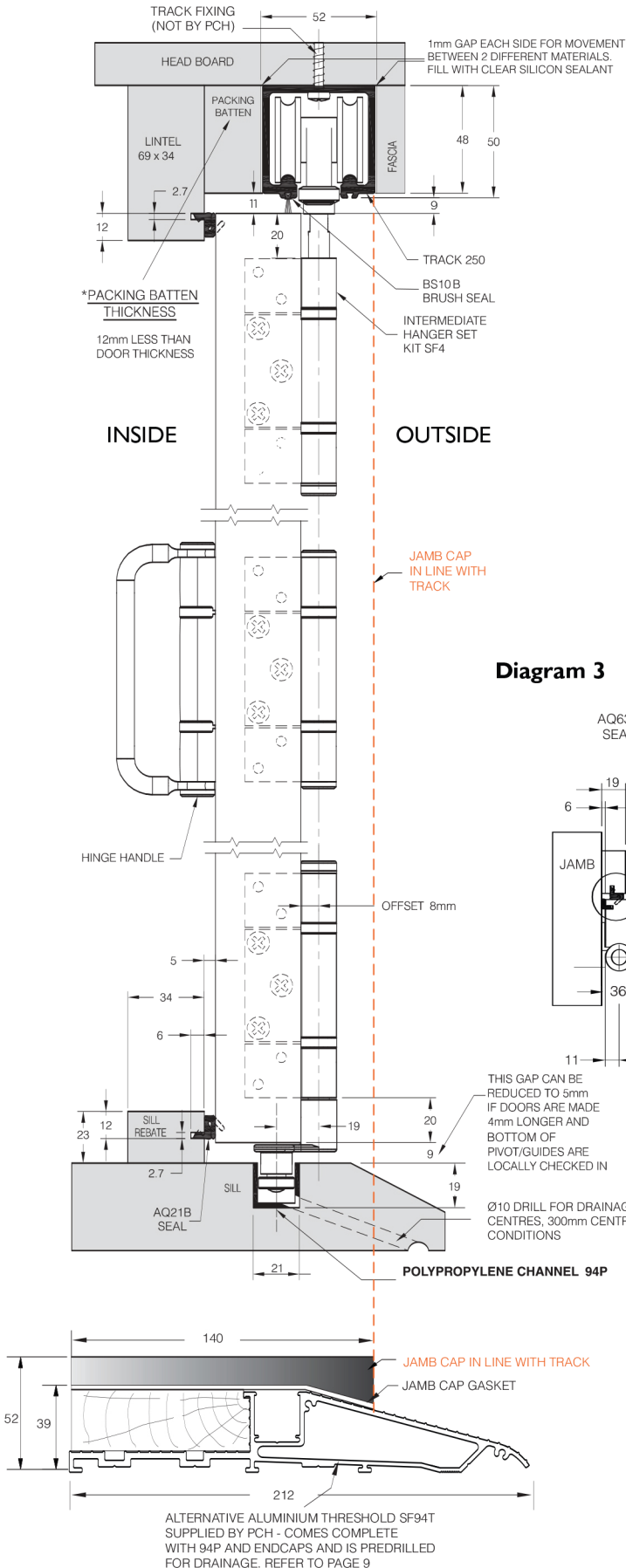


Fitting Instructions for top hung exterior folding doors with **NON-MORTICE HINGES**

Diagram 1



SYSTEM CAPACITY

Maximum leaf height- 3300mm Maximum leaf weight- 100kg
 Maximum leaf width- 1000mm Maximum leaf thickness- 35-68mm

On systems using door leaves that are narrow and thick and the hypotenuse is more than the door width x 1.004 then a risk of camming exists (see diagram 12).

*For doors between 35-44mm an alternative to the Securefold flushbolt is required.

**For thicker or thinner doors please contact PC Henderson Technical Department technical@pchenderson.com

Diagram 2

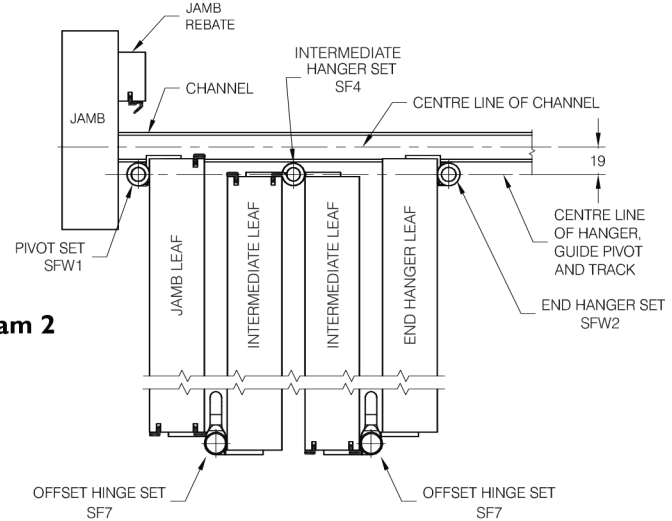


Diagram 3

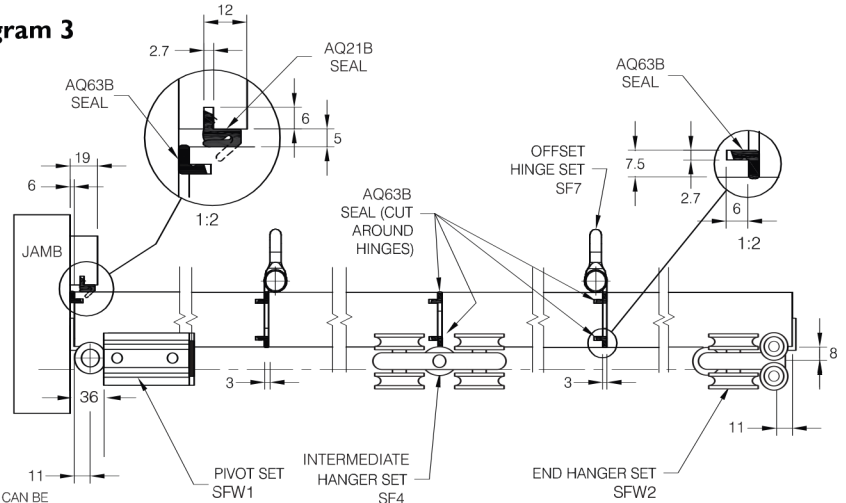
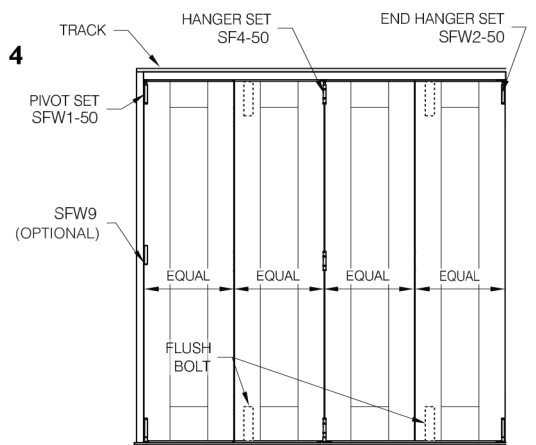


Diagram 4



PREPARATION

- SFW1 - Pivot Assembly Set
- SFW2R - End Hanger Set Right Hand
- SFW2L - End Hanger Set Left Hand
- SF3 - Hinge Set with Handle
- SF4 - Intermediate Hanger Set
- SF5 - Hinge Set Inward Opening
- SF6 - Hinge Set Offset Inward Opening
- SF7 - Hinge Set Offset Outward Opening
- SFW8 - Rebated End Hanger Meeting
- SFW9 - Pivot Hinge for Doors Over 2200mm High (Optional)
- SF10 - Face Fix Handle (Optional)

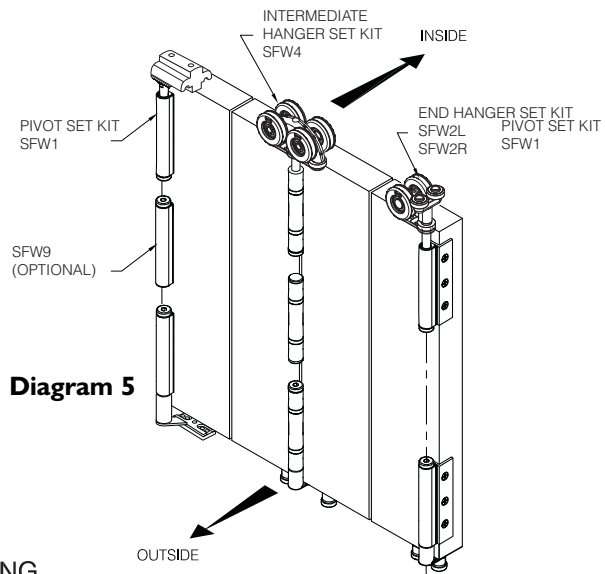
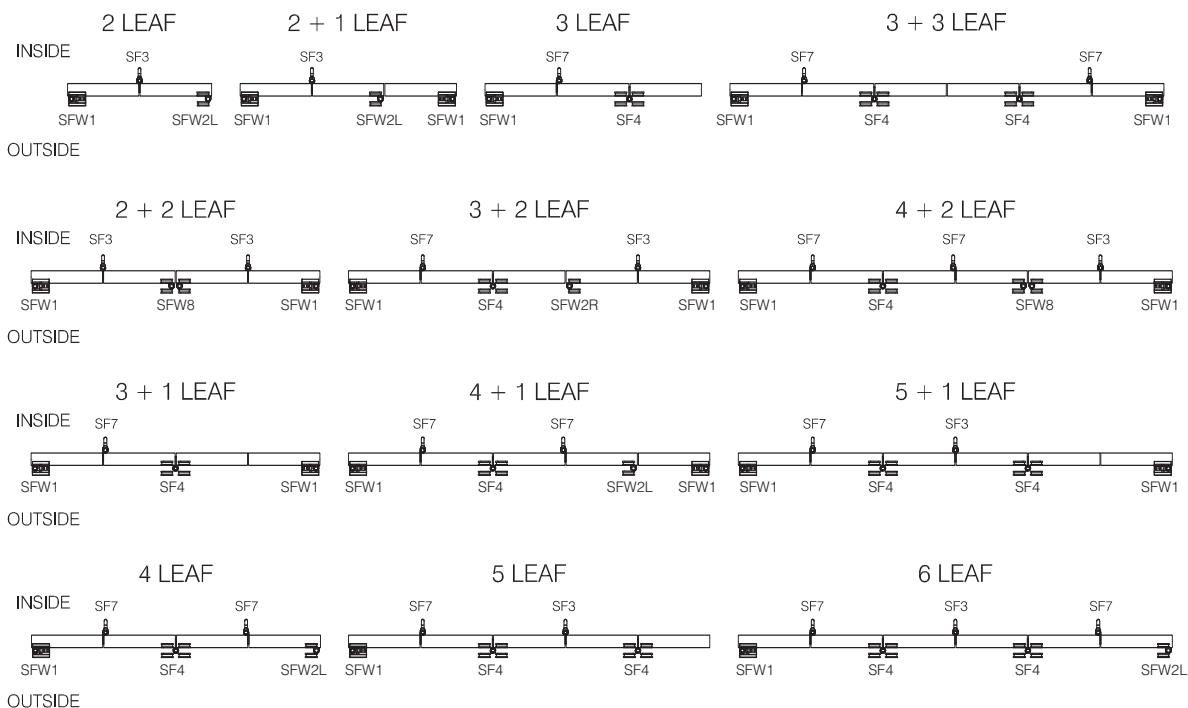
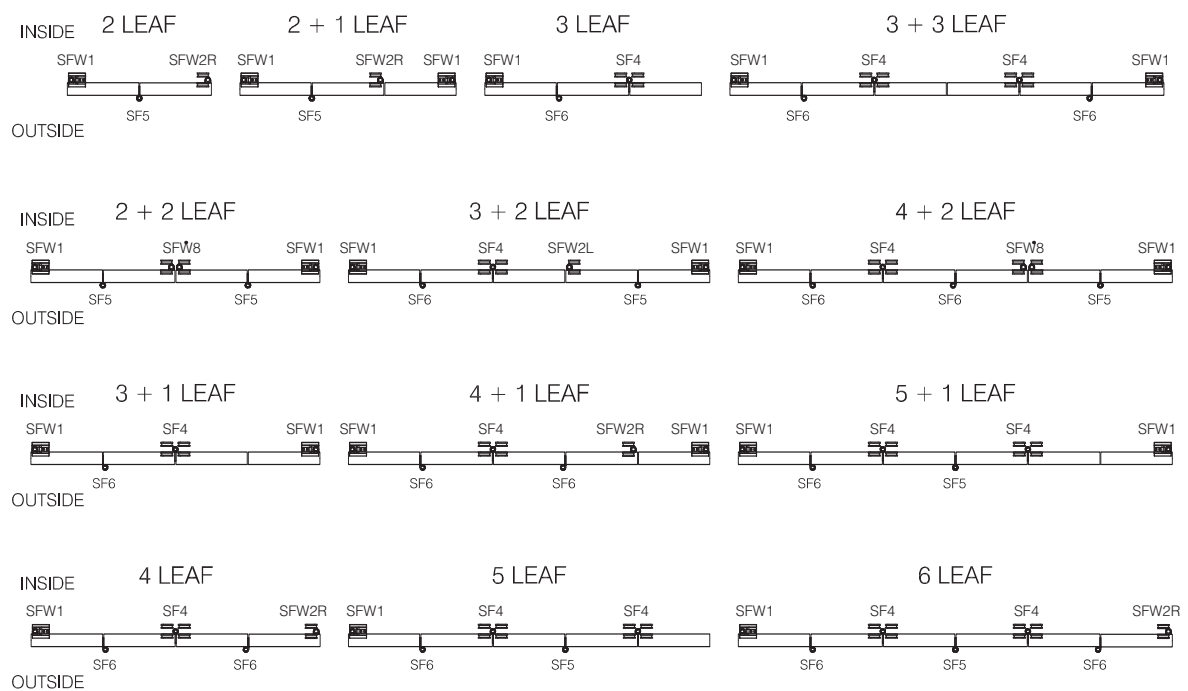


Diagram 6

DOOR HARDWARE - KIT ORIENTATION, OUTWARD OPENING

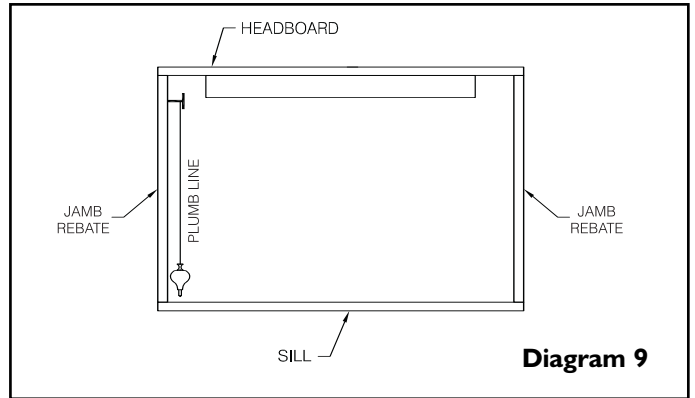
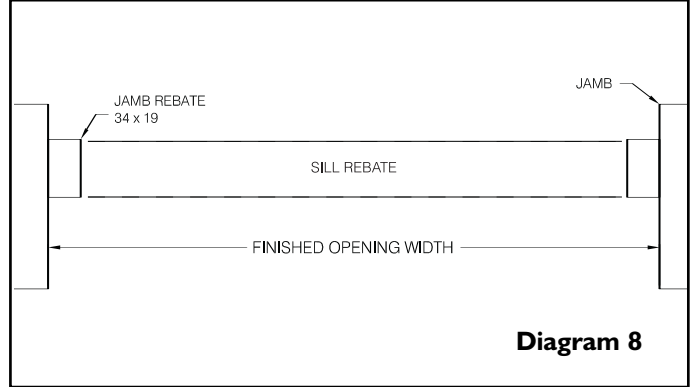
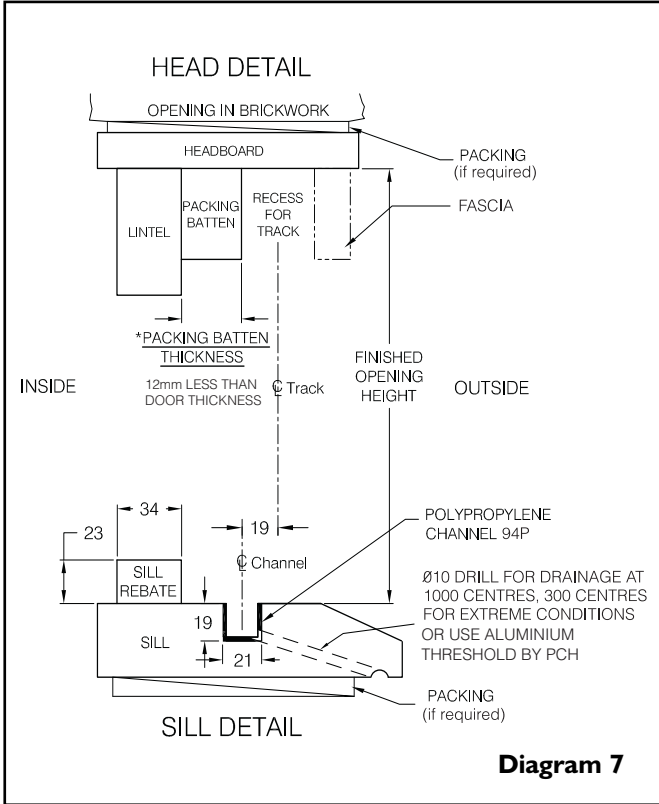


DOOR HARDWARE - KIT ORIENTATION, INWARD OPENING

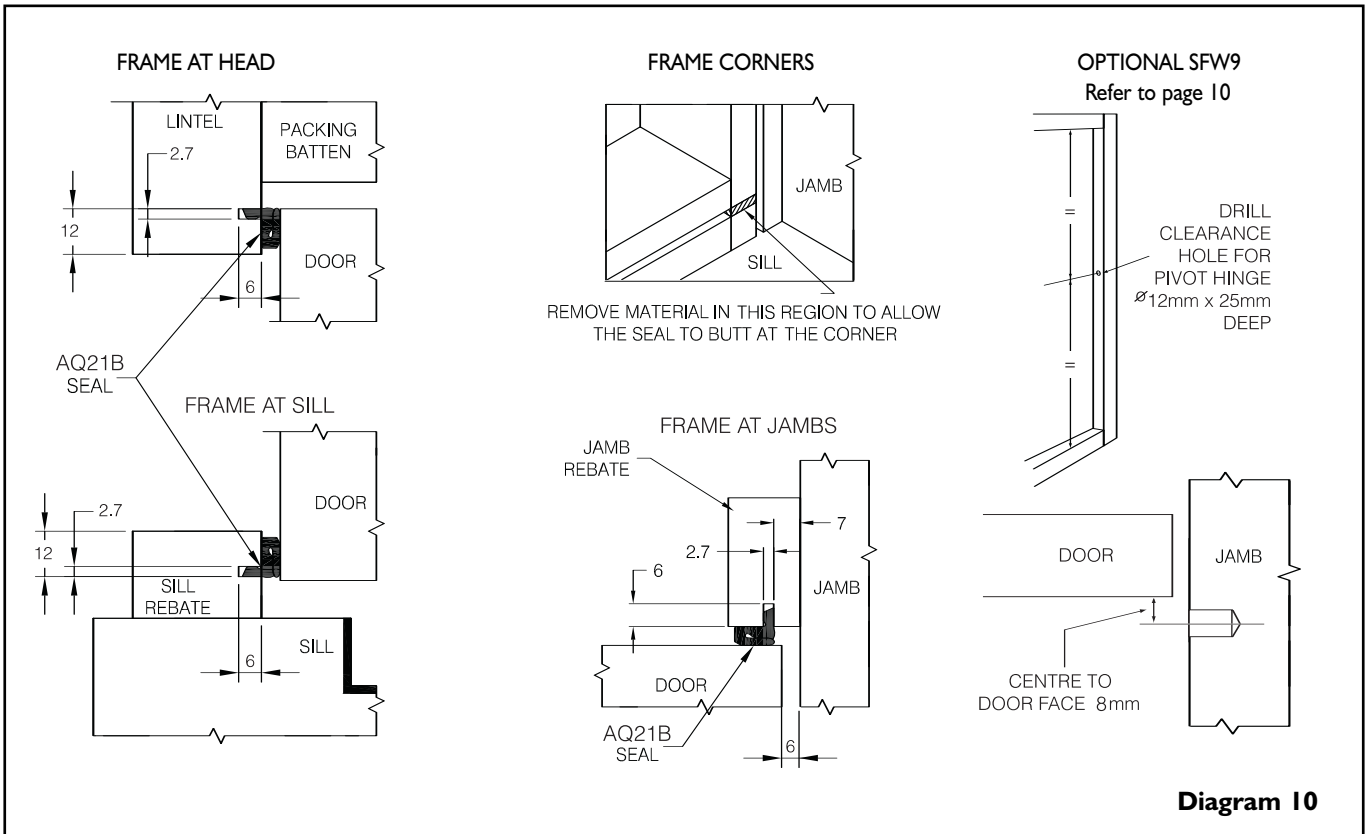


Preparing the opening

Ensure the opening is square and all load bearing areas are suitable for the weight of the system. Take particular care to ensure there is sufficient strength in the structure above the opening to take the concentrated weight of the doors, when in the open stacked position. The Securefold system provides 10mm of horizontal and vertical adjustment. Use a plumb line to ensure that the centre line of the track and the centre line of the channel are offset by 19mm.



Preparing the door frame



Preparing the door leaves

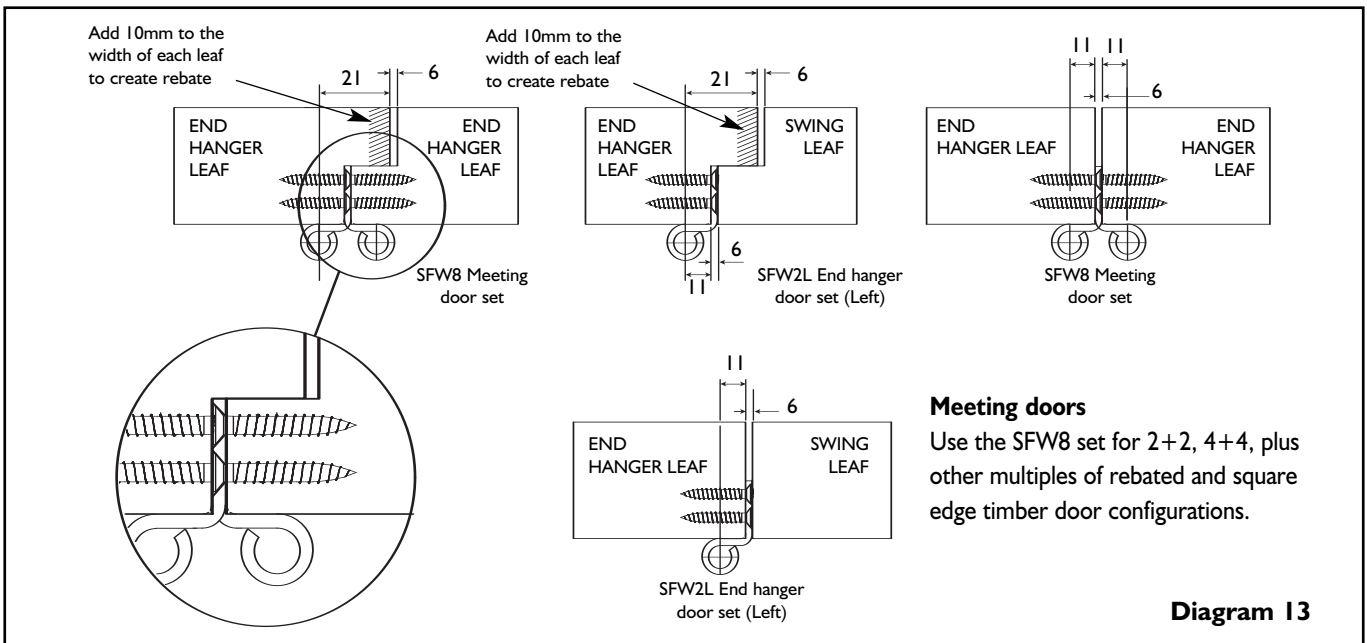
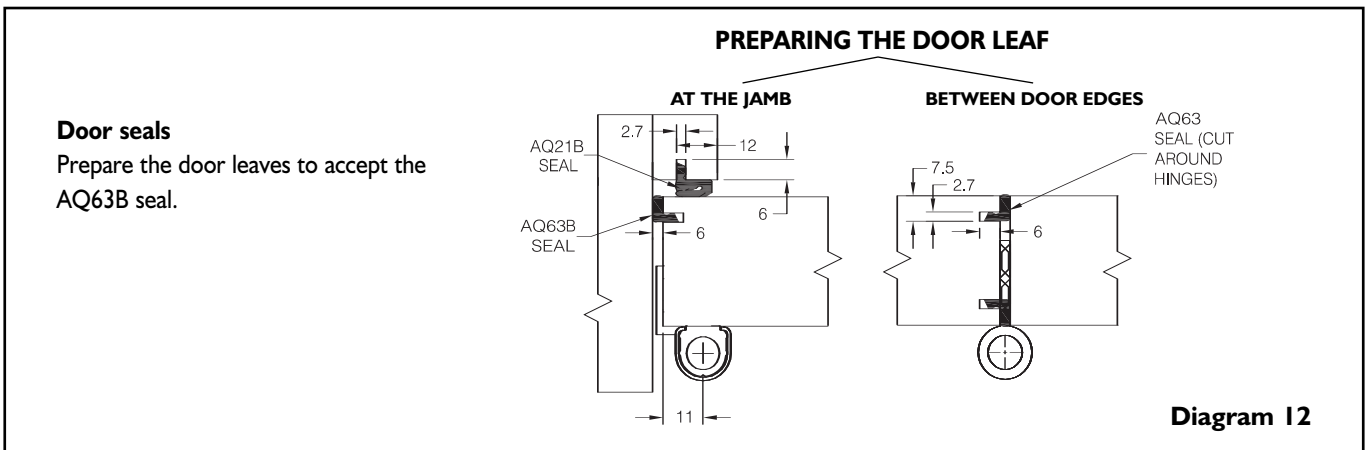
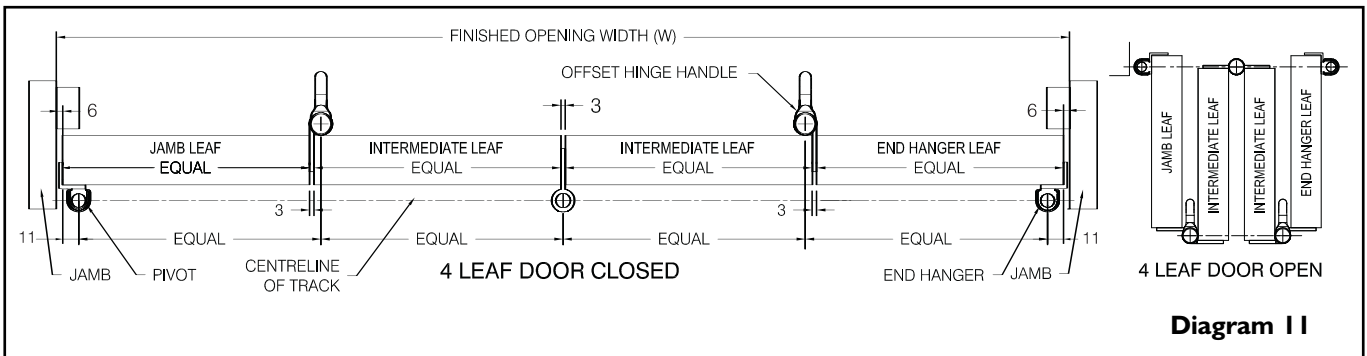
Door leaf width calculation

1. Decide how many door leaves you want in the opening.
2. Add together all the 3mm clearances required between door leaves and 6mm between the door and the jambs (there will be one more than the number of door leaves). This is the total clearance figure.
3. Measure the finished opening width (W) and deduct from this the total clearance figure.
4. Divide this new figure (finished opening width minus total clearance) by the number of doors to produce the actual door width. (N.B. all doors with the Securefold system are the same width).

For example: For a 4 door leaf system with a finished opening width of 2345mm the door leaf width would be 2345mm minus (3x3mm) + (2x6mm) divided by 4 (number of door leaves) = 581mm.

Door leaf height calculation

Leaf height = finished opening height (see diagram 7) minus 66mm.



Door hardware positioning

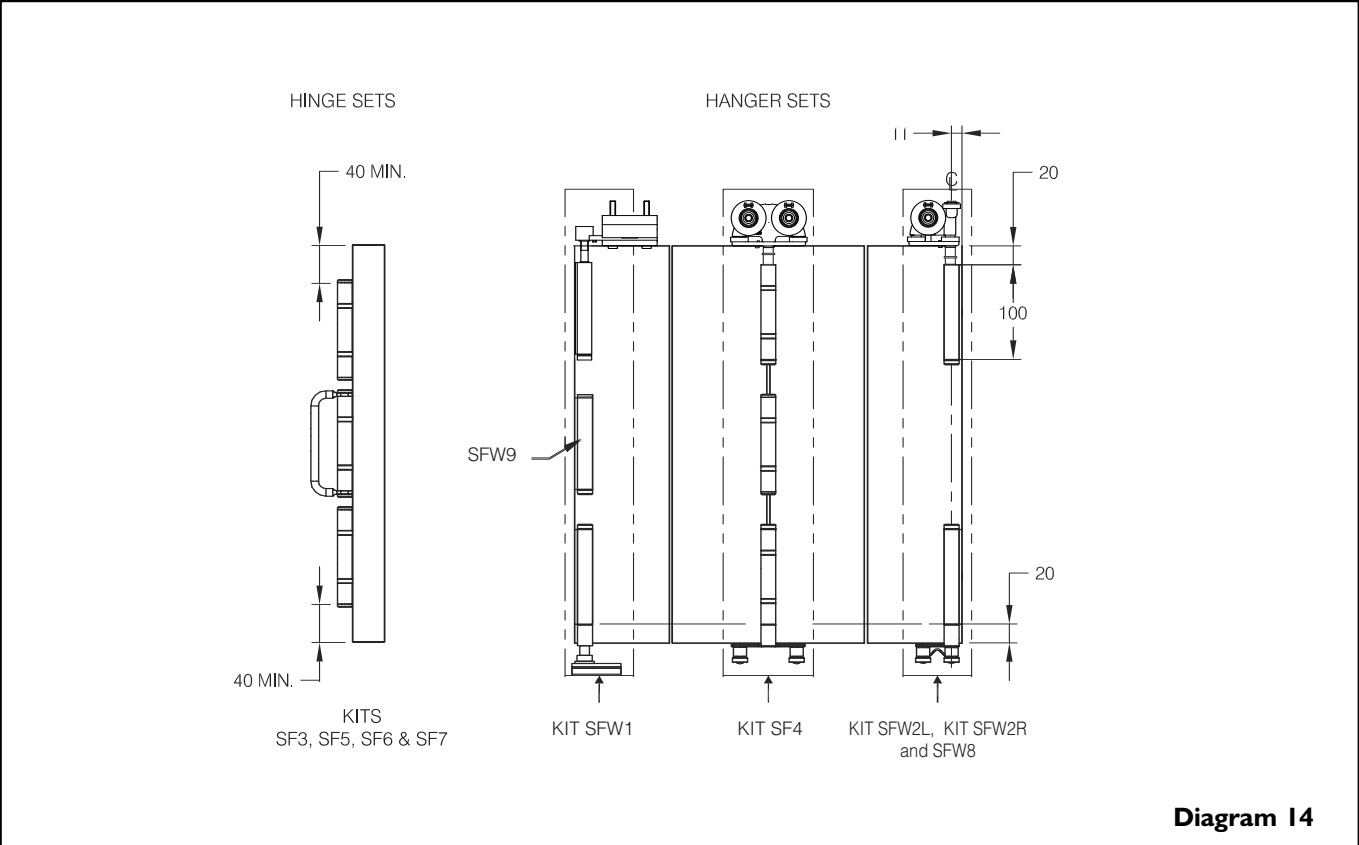


Diagram 14

End door leaf preparation

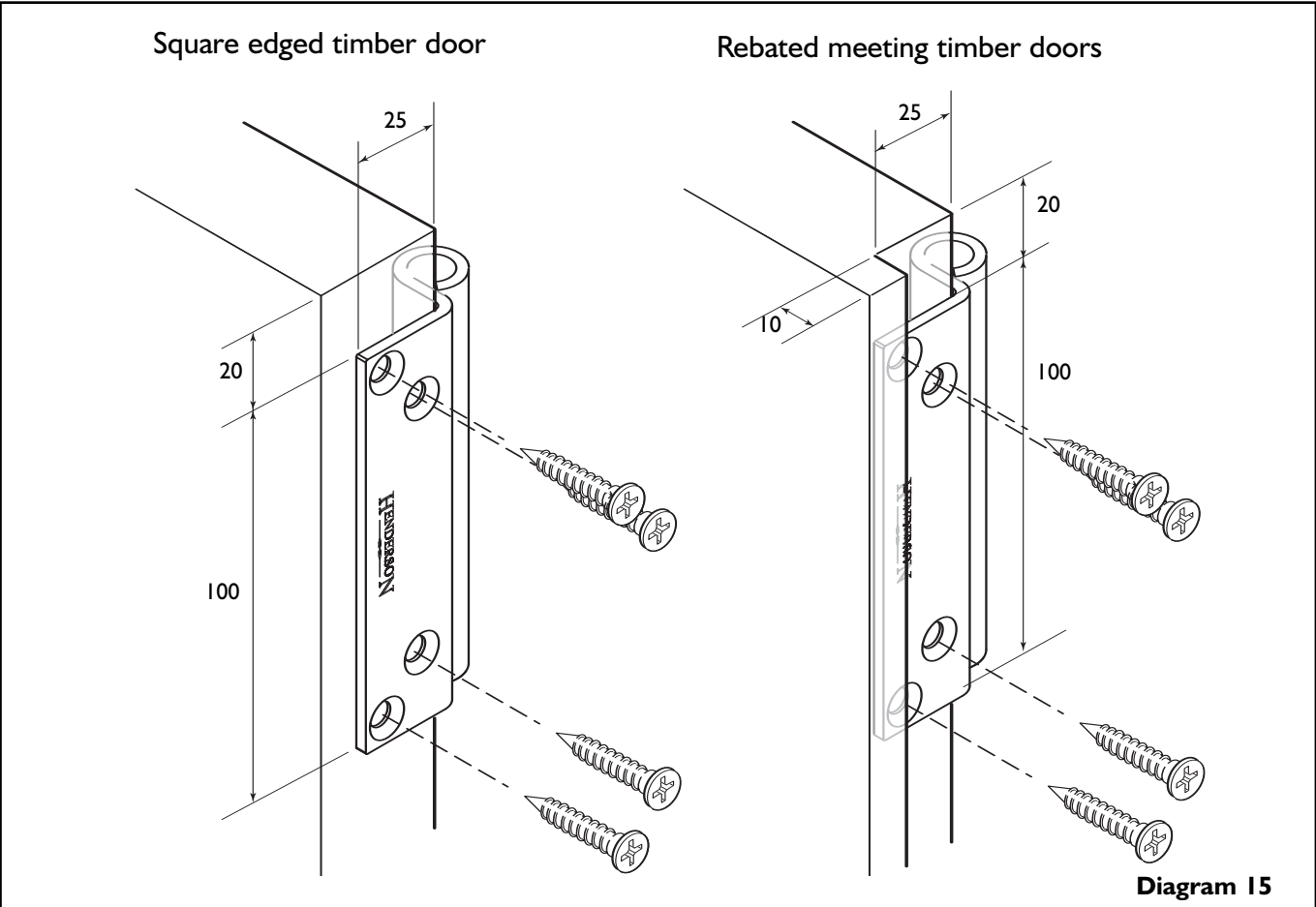


Diagram 15

Door hardware attachment

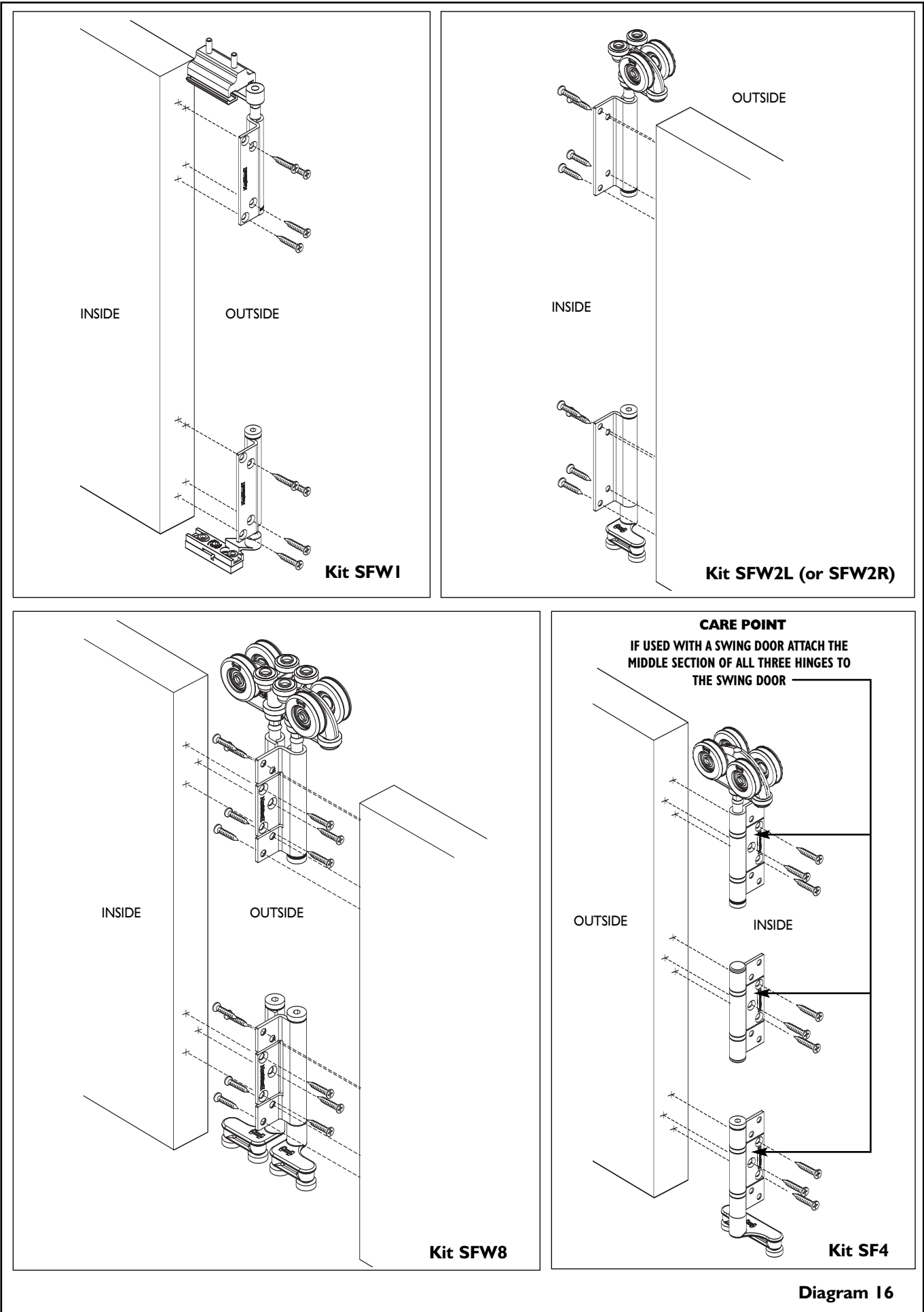


Diagram 16

INSTALLATION

1. Ensure that you have all the required parts. Unpack the components and identify the parts. Lay the parts on the ground in the same configuration as they will be when installed. It is recommended that a light smear of general purpose grease is applied to all bolts prior to assembly.

2. Cut the track to the required length and pre-drill for fixings in accordance with diagram 17. Please note that the extra fixings are required where the doors stack together.

3. Cut the channel to the required length and fit in the sill. Drill drainage holes (see diagram 1).

4. Remove all the wheel assemblies and pivot block from the hanger and pivot bolts, and disassemble top pivot block assembly. Move bolt hold to unwind/unlock.

5. Slide the wheel assemblies and track pivot block into the track in the correct order, orientation, and position and fix the track in position. Reassemble top pivot block assembly (see diagram 18).

6. Remove the bottom pivot assembly and guide roller assembly (see diagram 19). Disassemble the bottom pivot assembly.

7. For installation, assemble leaves in pairs via the hinges. To improve the ease of installation pre-drill pilot holes for all hinge parts. Fit kits SFWI, SF7, SF4 and SFW9 (optional) to first pair of leaves.

Please ensure all 4 screws are fixed per end hinge.

8. Screw the bottom anchor of the bottom pivot assembly to the base of the channel 14mm from the jamb. Please note, the screw nearest the end of the bottom anchor is closest to the jamb (see diagram 20). Reassemble the pivot assembly leaving the clamping screws loose (see diagram 24). Line up flats, turn to tighten (audible clicks).

9. Suspend pairs of leaves by engaging top pivot and hanger bolts using 5mm allen key (not supplied) (see top of diagram 19).

10. Attach the bottom pivot and guide assembly to their respective hinges, adjust the bottom pivot side plates position so that it engages with the hinge bolt. Tighten pivot and guide strap bolts (see diagram 21).

11. Lift the next pair of leaves into position and support their weight by screwing the hanger strap bolt into the hanger wheel assembly and fixing the second and third leaves together.

12. Continue this procedure until all leaves are fitted.

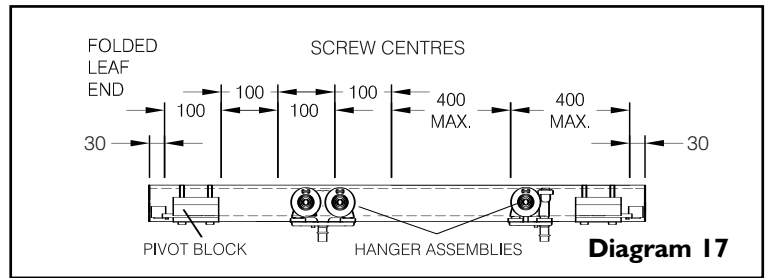


Diagram 17

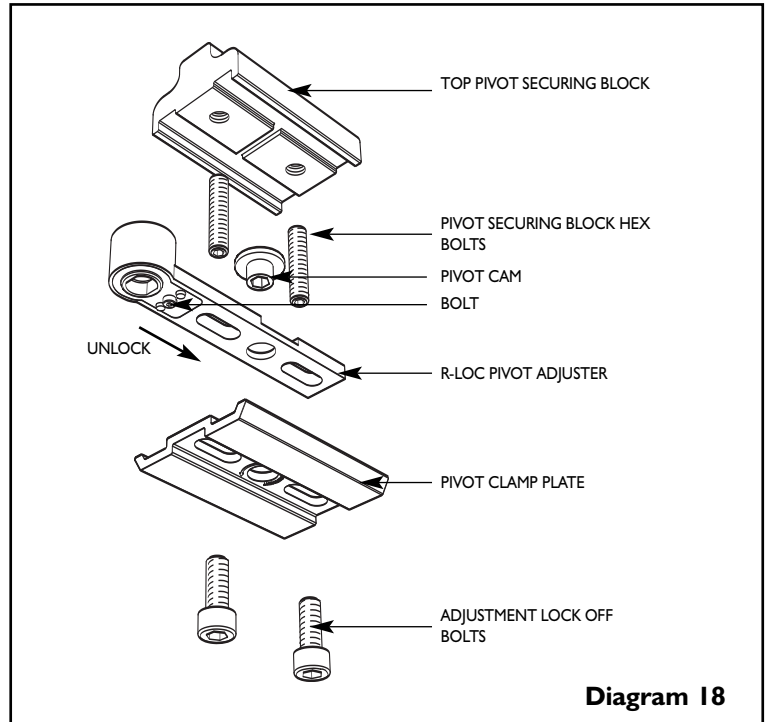


Diagram 18

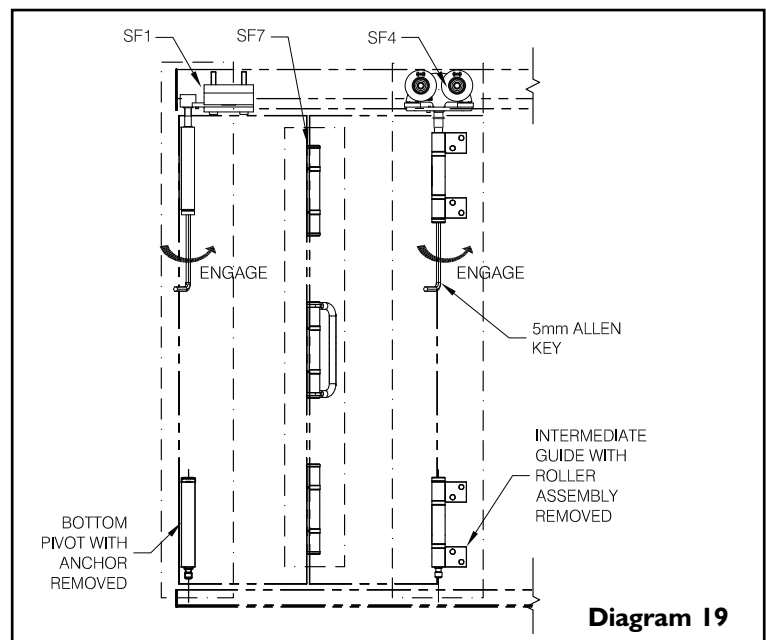


Diagram 19

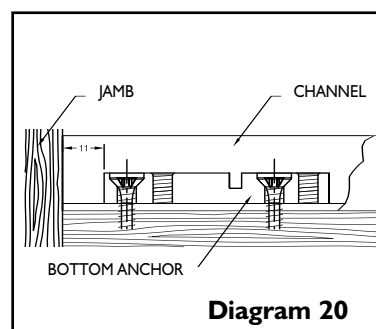


Diagram 20

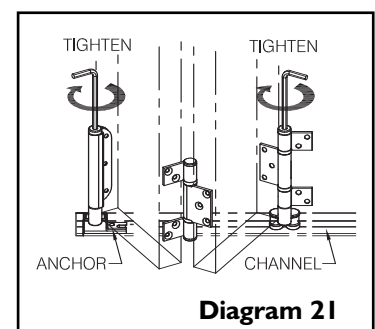


Diagram 21

ADJUSTMENT

Height Adjustment ($\pm 3\text{mm}$)

1. Close leaves and adjust the door height to achieve an equal gap between the top of the leaves and the track (a 9mm gap is recommended). (see diagram 22).

2. To adjust turn strapbolt (audible clicks)

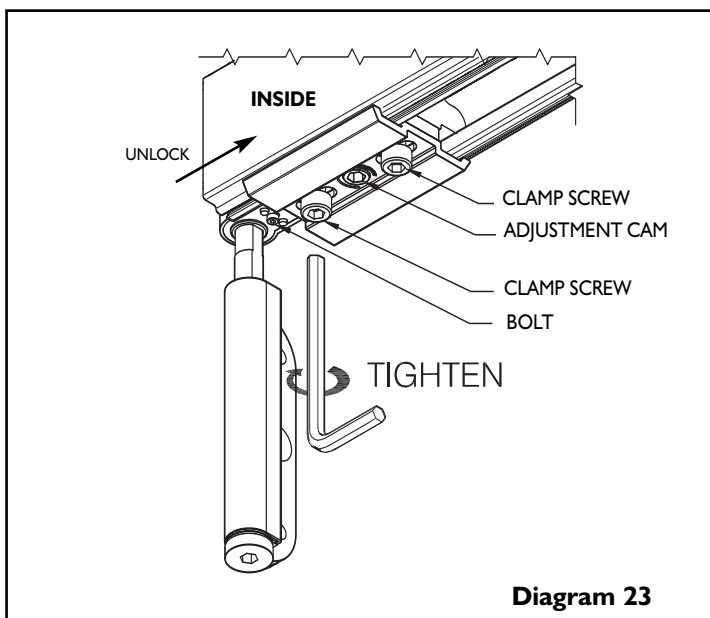
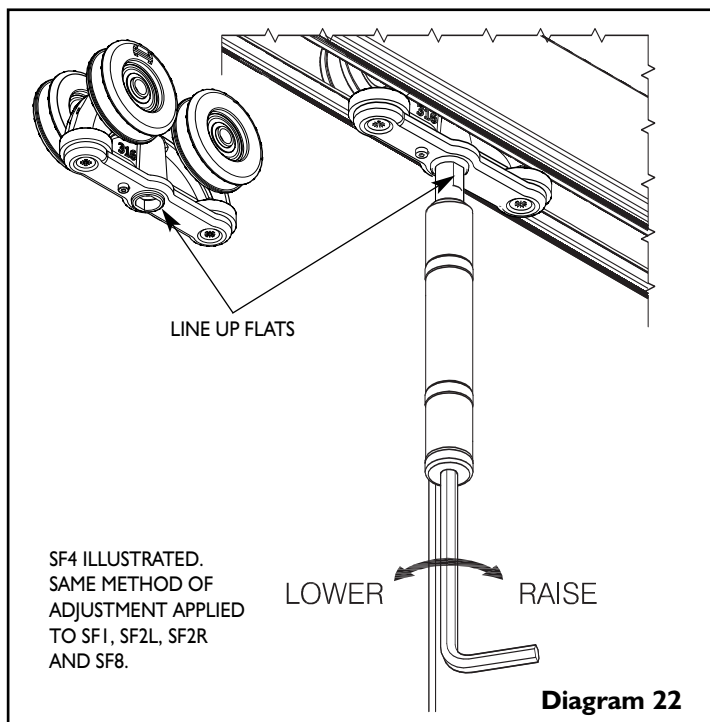
To adjust down slide and hold bolt head at the same time loosening strapbolt

Lateral Adjustment

1. With the unit still in the closed position, slide the set of leaves towards the jamb to obtain the desired gap between the jamb and the pivot door. A gap of 6mm is recommended using the adjustment cam. Once in position tighten the clamp screws. (see diagram 24).

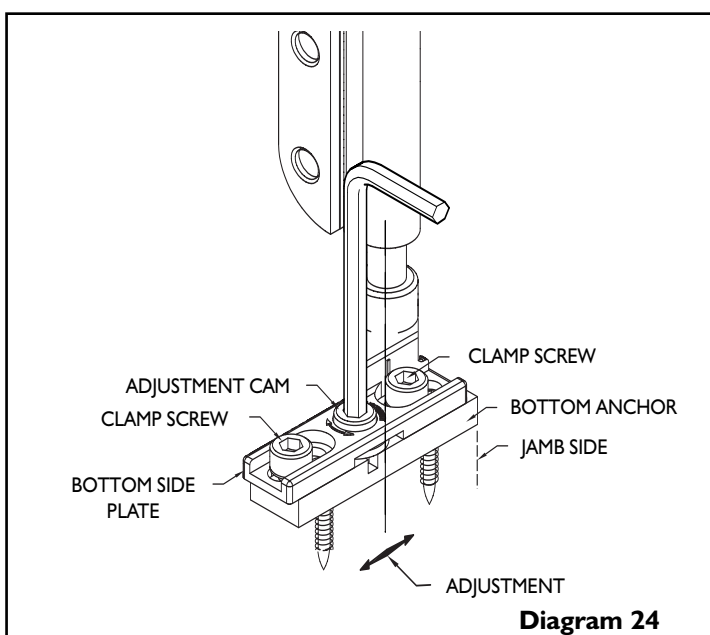
2. Fold the leaves and adjust the bottom side plate using the allen key so that the gap between the door and the jamb is the same over the full length of the door.

3. Tighten the two clamping screws to lock the side plate to the bottom anchor.

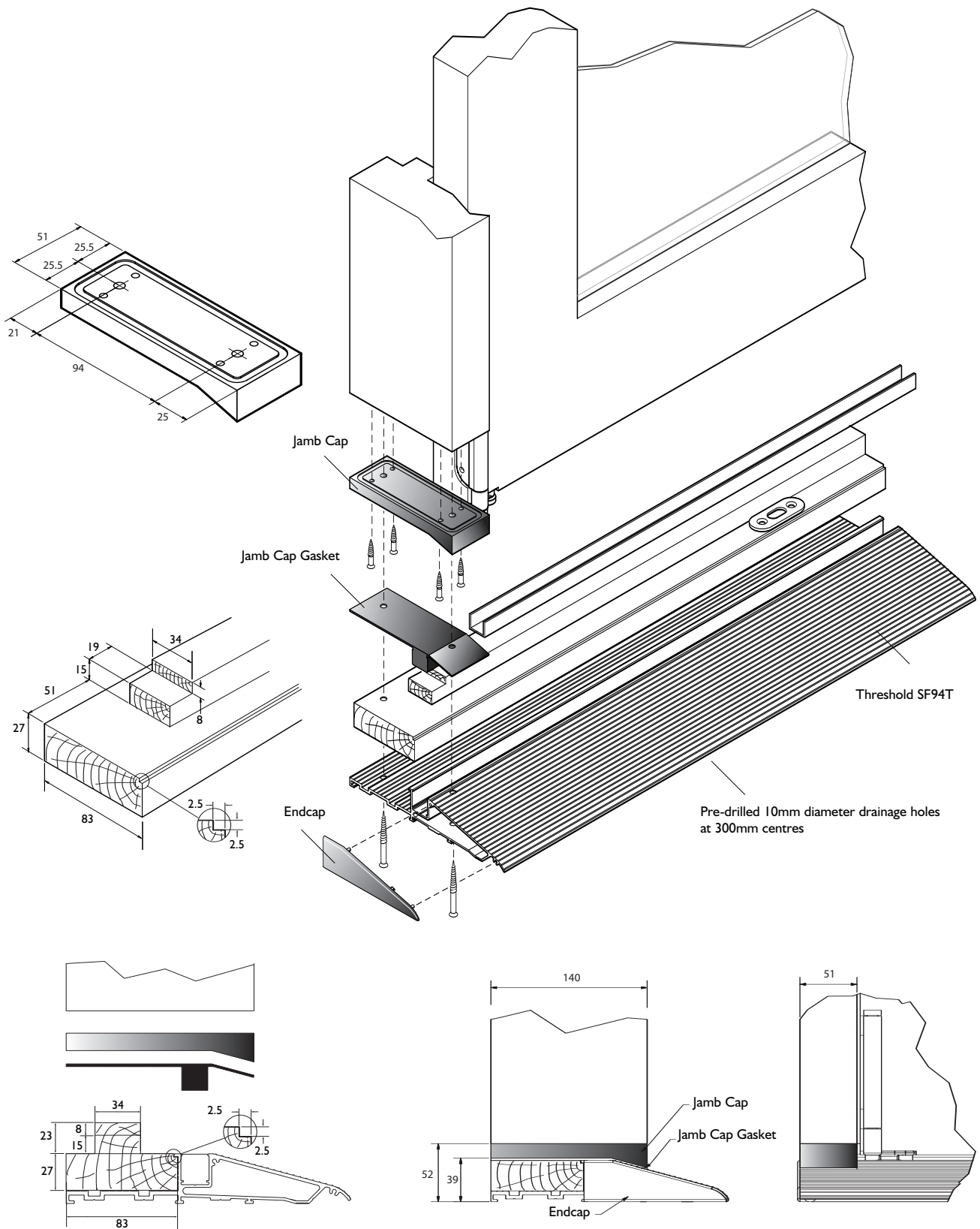


CARE AND MAINTENANCE

To provide years of trouble free operation, it is recommended that the track is kept free from dirt and debris. Periodically replace the general purpose grease on all bolts. To prolong the appearance of the exposed hinge parts, it is recommended they are periodically washed with soap and water. Maintenance is required on all components including stainless steel to validate manufacturers warranty. For further maintenance details please refer to our website.



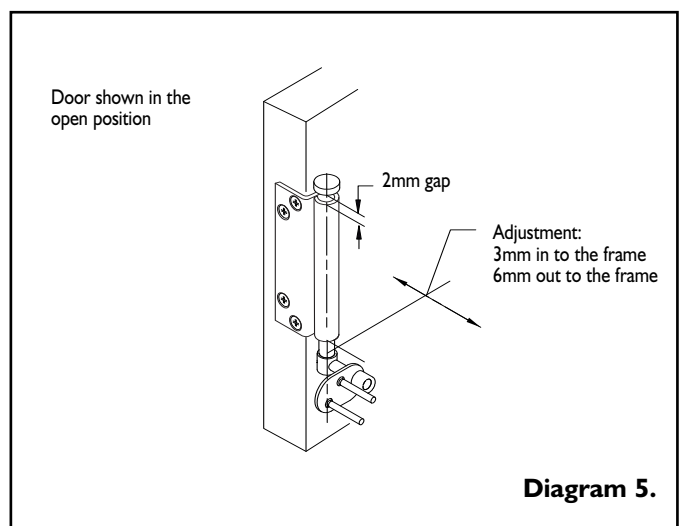
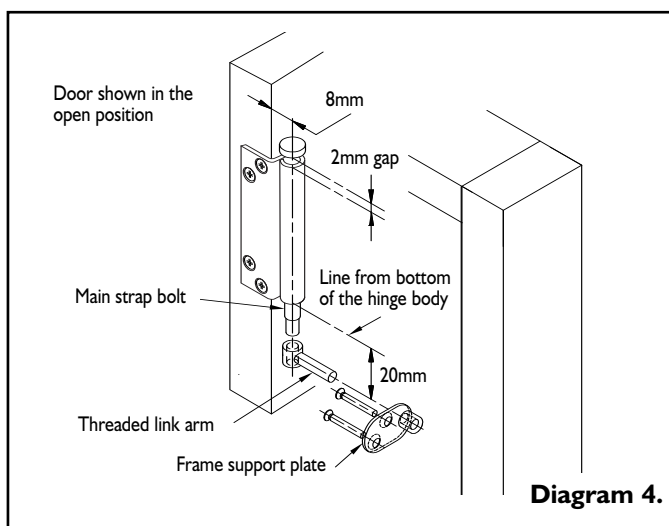
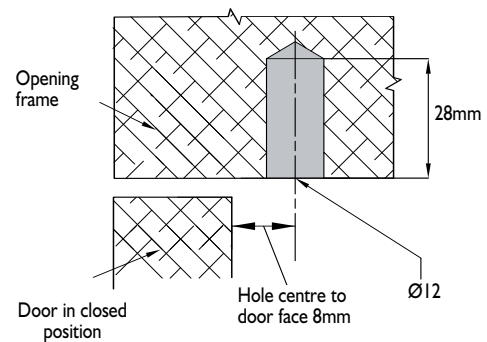
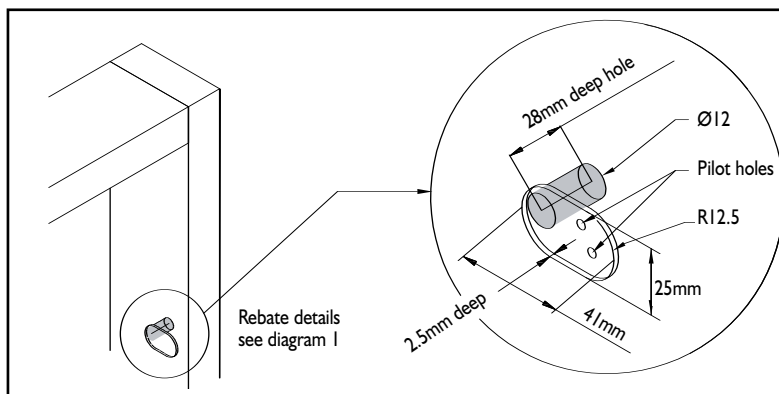
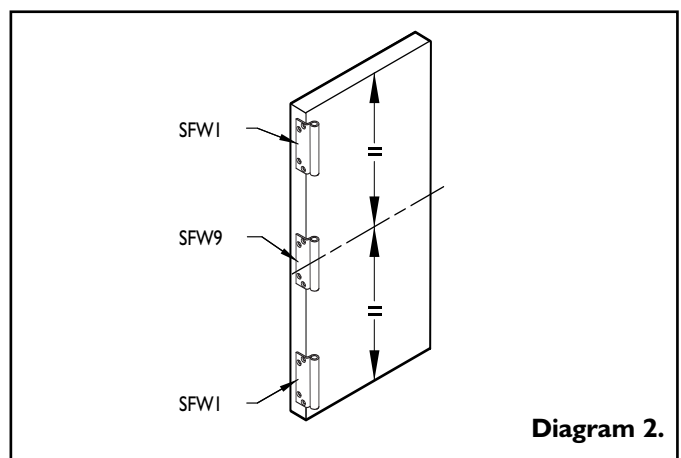
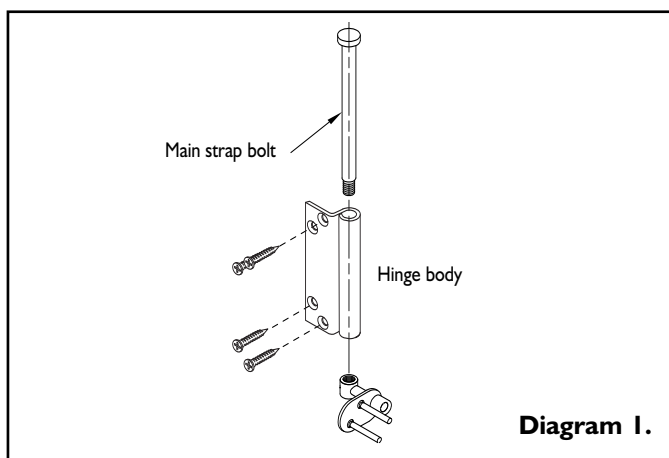
Aluminium Threshold Jamb Kit



(All dimensions in mm)

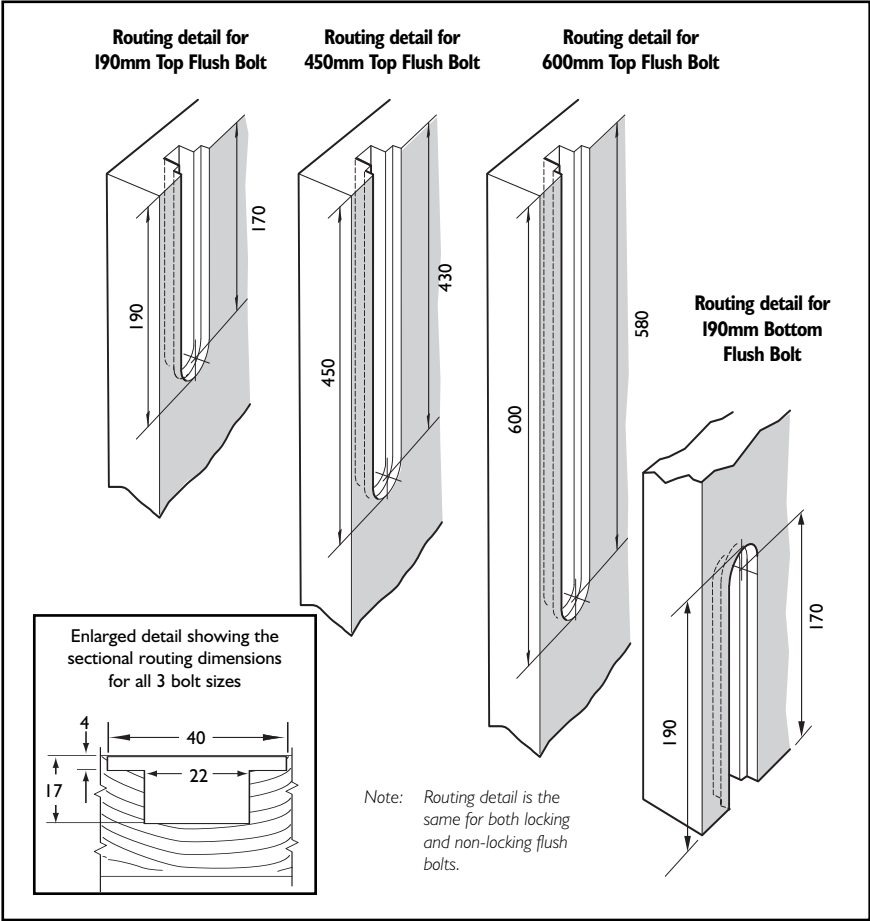
SFW9 Intermediate Pivot Set

1. The Securefold SFW9 intermediate pivot set shown in Diagram 1, should be fitted to the pivot door approximately mid way between the SFW1 top and bottom pivot assemblies. The SFW9 hinge must be positioned on the same centre line as the SFW1 top and bottom pivot hinge bodies.
 2. Prepare the frame for the opening by drilling a $\text{Ø}12\text{mm}$ hole (as shown in Diagram 3), ensuring that the centre point of the hole is 20mm lower than the bottom of the hinge body as shown on Diagram 4. Rebate the frame support plate, if required.
 3. Screw the frame support plate on to the opening frame preparation, as shown in Diagram 3.
 4. Fit the pivot door into position using the SFW1 pivot set.
 6. Fit the SFW9 cover sleeve on to the SFW9 hinge body and drop the hinge strap bolt into position, as shown in Diagram 4.
 7. Screw the threaded link arm fully into the frame support plate. The centre of the threaded hole in the link arm should be positioned to receive the strap bolt. Screw the strap bolt in to the link arm until there is a 2mm gap between the head of the strap bolt and the hinge body, as shown in Diagram 4.
 8. Adjust the SFW9 pivot set to ensure the clearance between the pivot door and the frame is uniform (Diagram 5).
- Note: These fitting instructions should be used in conjunction with the Securefold Non -Mortise Fitting Instructions

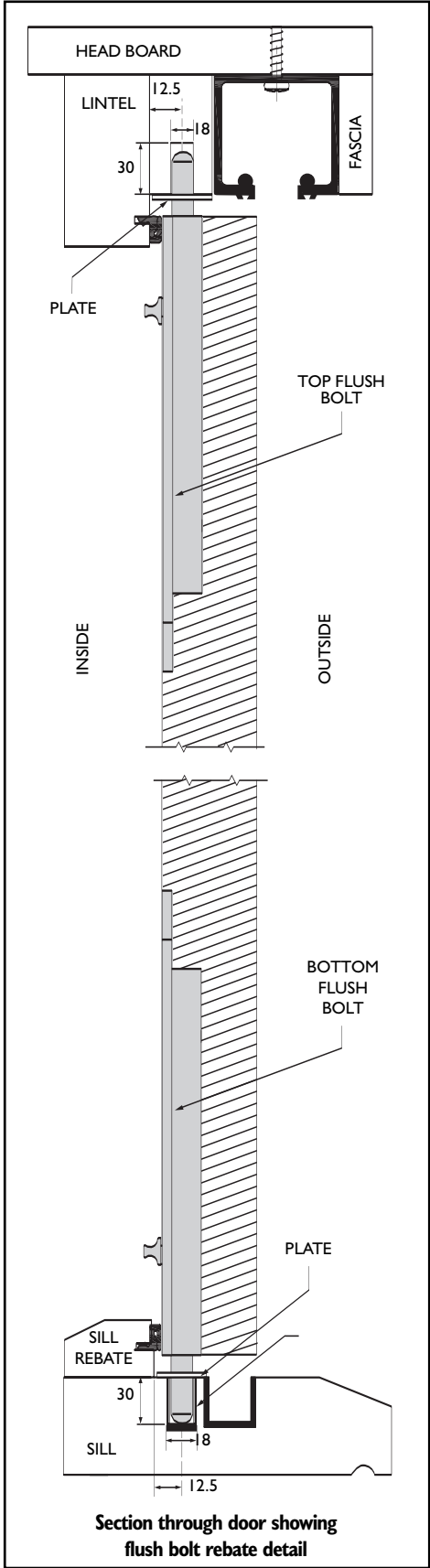
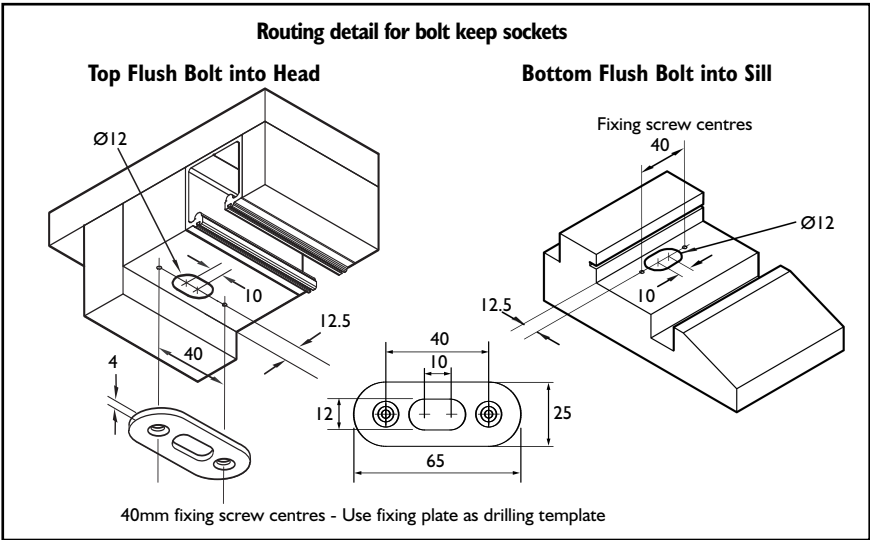


Outward Opening Flush Bolt

For top hung exterior folding doors. For use in conjunction with standard outward opening fitting instructions. Follow routing instructions for the bolt keep and flush bolt length to be fitted, fit both with the screws supplied. Suitable pilot holes for screws are recommended.



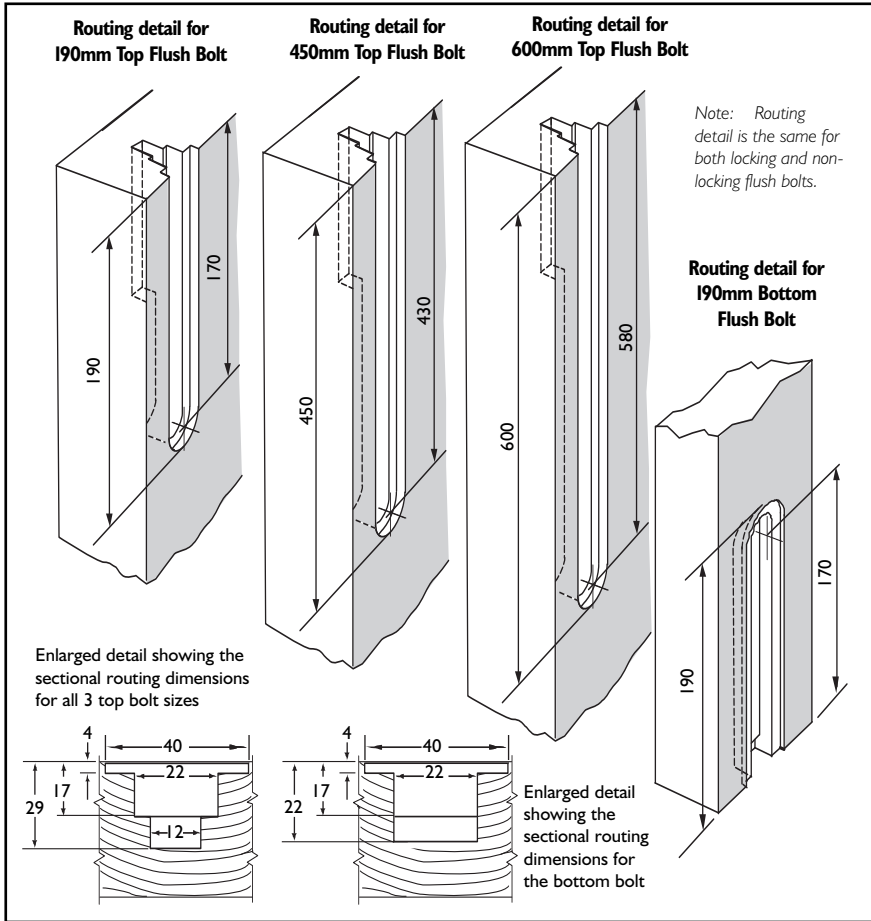
Door height	Recommended Bolt length for top of door	Recommended Bolt length for bottom of door
Upto 2200mm	190mm	190mm
Upto 2450mm	450mm	190mm
Over 2450mm	600mm	190mm



(All dimensions in mm)

Inward Opening Flush Bolt

For top hung exterior folding doors. For use in conjunction with standard inward opening fitting instructions. Follow routing instructions for the bolt keep and flush bolt length to be fitted, fit both with the screws supplied. Suitable pilot holes for screws are recommended.



Door height	Recommended Bolt length for top of door	Recommended Bolt length for bottom of door
Upto 2200mm	190mm	190mm
Upto 2450mm	450mm	190mm
Over 2450mm	600mm	190mm

