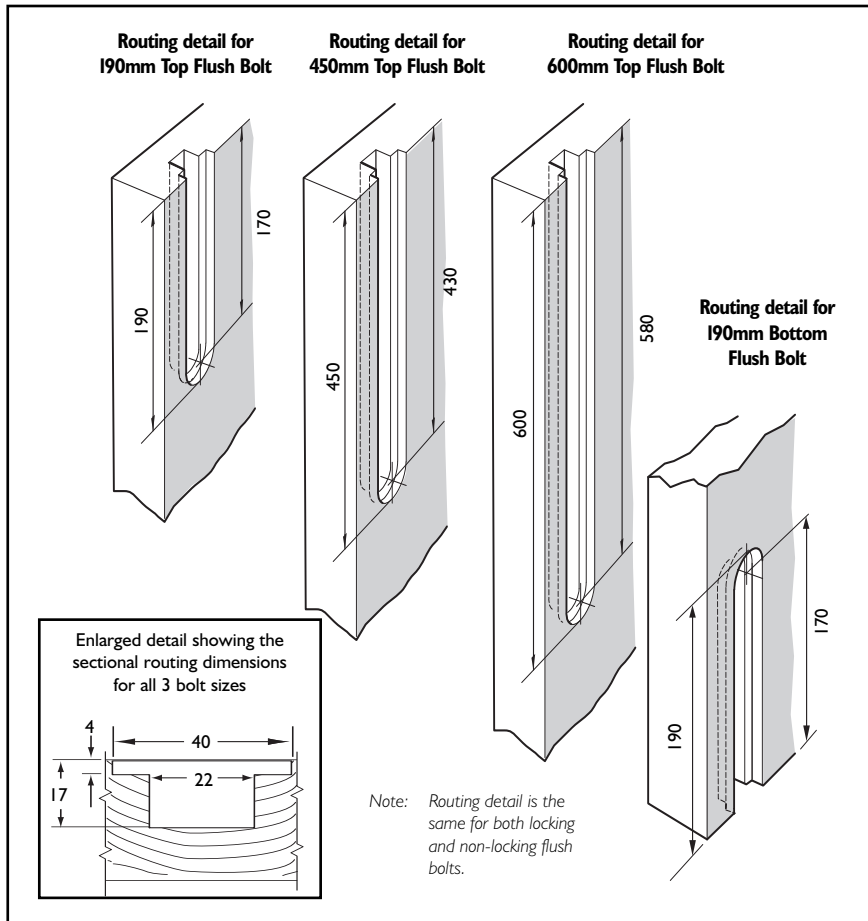
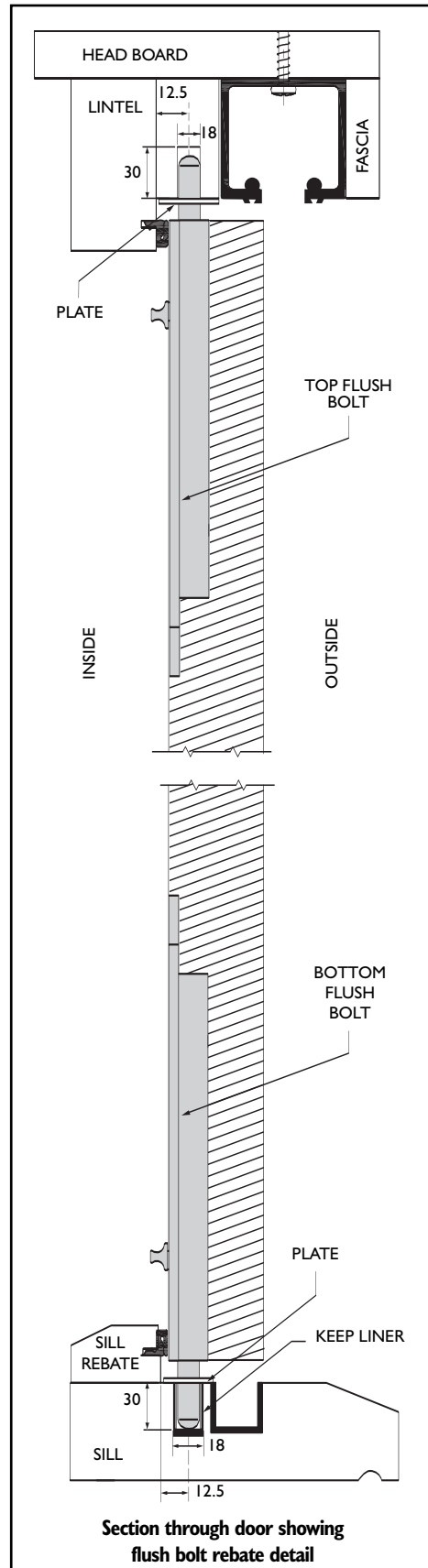
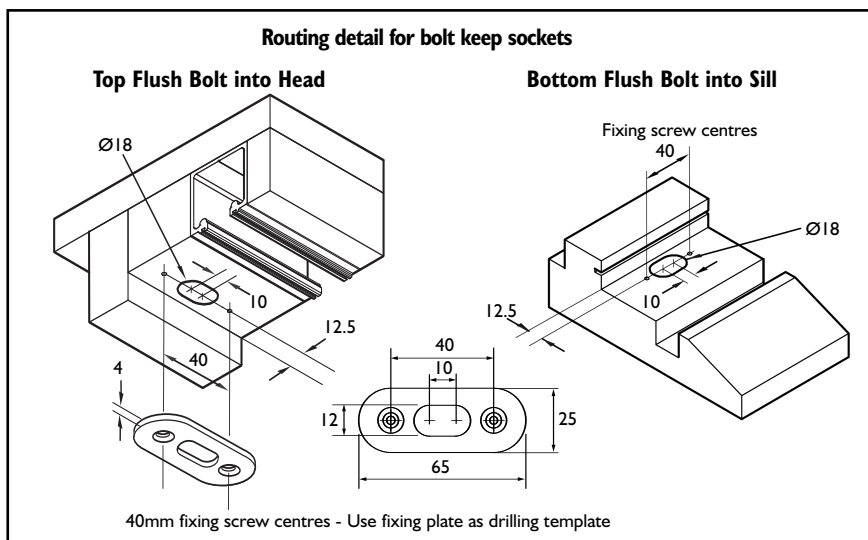


## Outward Opening Flush Bolt Fitting Instructions

For top hung exterior folding doors. For use in conjunction with standard outward opening fitting instructions. Follow routing instructions for the bolt keep and flush bolt length to be fitted, fit both with the screws supplied. Suitable pilot holes for screws are recommended.



Door height	Recommended Bolt length for top of door	Recommended Bolt length for bottom of door
Upto 2200mm	190mm	190mm
Upto 2450mm	450mm	190mm
Over 2450mm	600mm	190mm



(All dimensions in mm)