

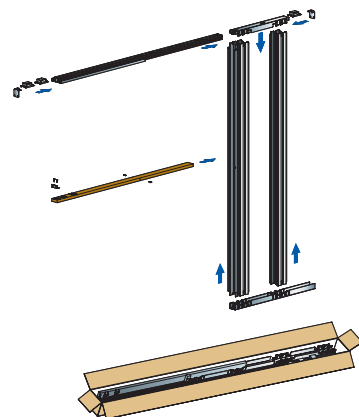
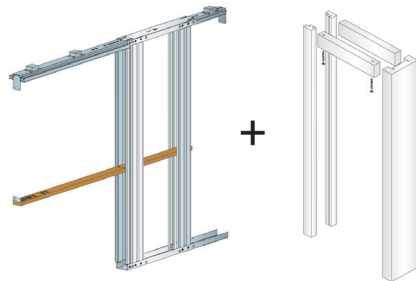
Choosing the right Pocket Door system

Your requirements will help you decide the correct pocket door system. See below to discover the advantages and benefits of each.

flusso. Kit*

- Ideal for small projects such as home renovations
- Self-assembly kit
- 30 minute installation time
- Available for wood and glass doors*
- Suits doors 35 or 40mm thick dependant on set purchased
- Maximum door weight 120kg per leaf
- 7 pieces in 1 kit to assemble a unit
- Drywall screws included
- Compatible pocket door hardware available
- 125mm finished wall
- Two single kits can be joined together to create a double pocket door, please see more info on page 4 in our Flusso brochure. This is available on our website or call us for a copy posting out to you.

Cost effective solution



Oak Melbourne shown with Scorpio Matt Black handle

*Please note: Doors are sold separately. Please check with LPD for what doors can be used with this kit.

flusso. Pre-Assembled Set*

- Can be used for large scale construction projects or home renovations
- Rapid installation time, completed within 15 minutes
- 125mm finished wall
- Available for wood and glass doors*
- Suits doors 35 or 40mm thick dependant on set purchased
- Maximum door weight 120kg per leaf
- Sides of the metal box are made using single corrugated steel sheets giving the structure extra rigidity
- No frame deflection
- 60 screws included for precise fitting
- Compatible pocket door hardware available

Available for Single or Double Doors



Oak Melbourne shown with Scorpio Matt Black handle

*Please note: Doors are sold separately. Please check with LPD for what doors can be used with this set.

