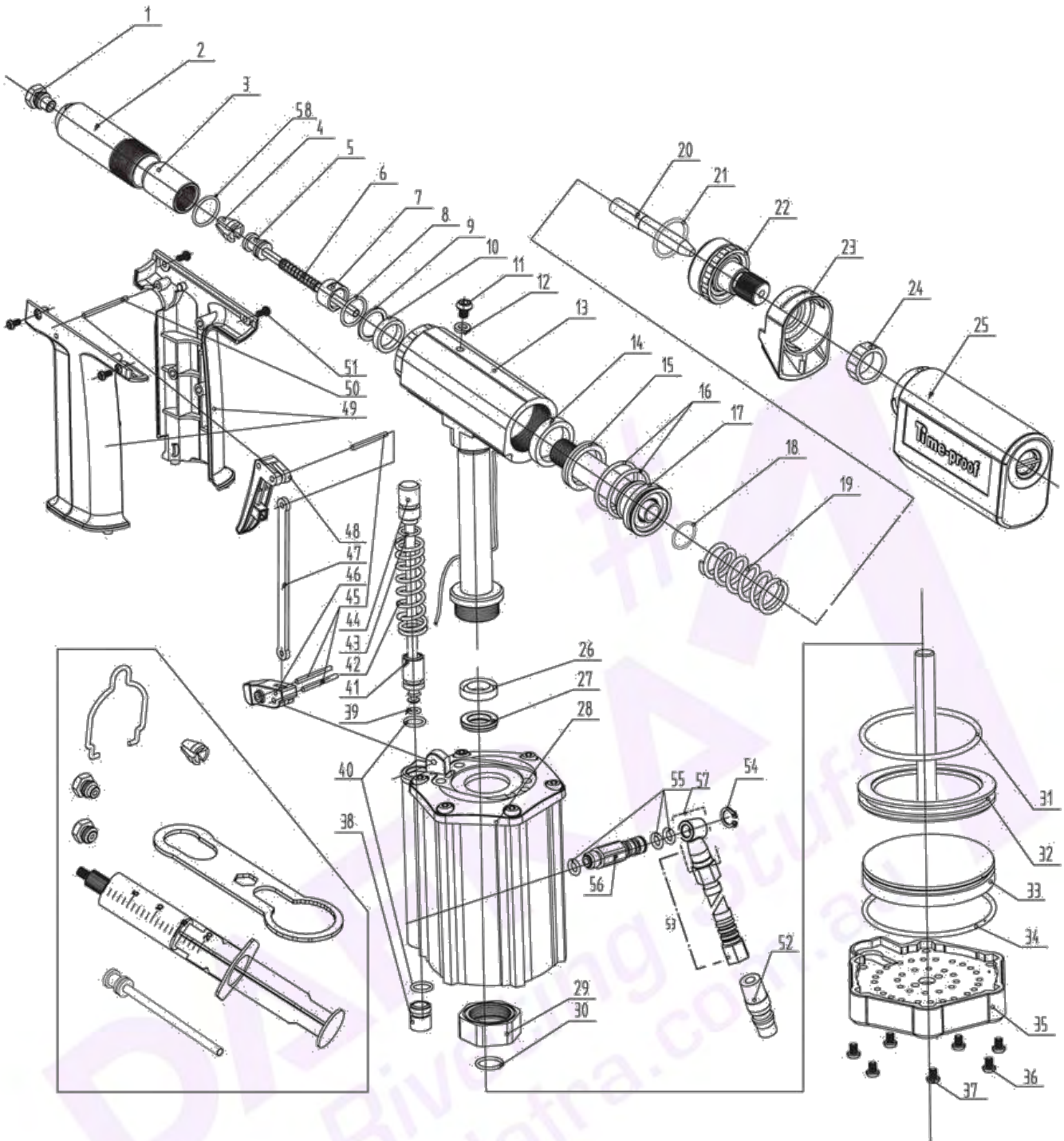


# DRPN264V – PARTS LIST



PART POSITION	PART CODE	DESCRIPTION	QTY in Tool/Kit
1	P09008-00	Nosepiece 6.4mm ID-H 4.3	1
2	A00001-00	Assembly front sleeve	1
3	P00003-00	Clamping sleeve	1
4	P00053-00	3-jaw set 30-deg.	1
5	P03820-00	Pusher 6.4mm	1
6	P00181-00	Pusher spring	1
7	P00173-00	Clamping sleeve locknut	1
8	F00021-00	O-ring	1

**Dafra Fastening Systems - Rivets Rivnuts & Tooling**

1 / 7 Jarrah Drv, Braeside VIC 3195 Australia

P: +61 3 9555 6872 | F: +61 3 9555 0803

E: sales@dafra.com.au | [dafra.com.au](http://dafra.com.au)

#  
**DAFRA**  
in Riveting Stuff  
[dafra.com.au](http://dafra.com.au)

# DRPN264V – PARTS LIST

PART POSITION	PART CODE	DESCRIPTION	QTY in Tool/Kit
9	P00047-00	Support ring	1
10	F00022-00	U-ring	1
11	P00009-00	Screw	1
12	F00002-00	Washer	1
13	A02088-00	Assembly oil cylinder	1
14	F00026-00	U-ring	1
15	P00062-00	Support ring	1
16	F00027-00	O-ring	2
17	A00049-00	Assembly plunger	1
18	F00011-00	O-ring	1
19	P00174-00	Return spring	1
20	P00186-01	Mandrel tube	1
21	F00046-00	O-ring	1
22	A00058-01	Assembly air adjuster	1
23	P00136-00	Retaining mandrel collector	1
24	P00137-00	Locknut	1
25	A00119-00	Assembly mandrel collector / neutral	1
26	F00029-00	U-ring	1
27	P00072-00	Support ring	1
28	A00134-00	Assembly air cylinder	1
29	P00073-00	Oil cylinder locknut	1
30	F00030-00	O-ring	1
31	F00023-00	O-ring	1
32	A00135-00	Assembly air plunger	1
33	P00054-00	Piston pedestal	1
34	F00024-00	O-ring	1
35	P00055-00-00	Air cylinder bottom	1
36	P00021-00	Air cylinder screw	6
37	P00029-00	Air cylinder pedestal screw	1
38	P00030-00	Switch lower base	1
39	F00010-00	O-ring	1
40	F00011-00	O-ring	2
41	P00031-00	Switch upper base	1
42	P00068-00	Trigger shaft spring	1
43	F00012-00	O-ring	1
44	A00031-00	Assembly trigger shaft	1
45	F00013-00	Pin	3
46	P00057-00	Lever	1

# DRPN264V – PARTS LIST

PART POSITION	PART CODE	DESCRIPTION	QTY in Tool/Kit
47	P00245-00	Connecting rod	1
48	P00058-00-77	Trigger-short	1
49	A00069-00-00	Assembly grips	1
50	F00014-00	Pin	1
51	P00039-00	Screw	4
52	F00015-00	Air adaptor (CHN)	1
53	A00118-00	Assembly air hose with switch	1
54	F00048-00	A-circlip	1
55	F00016-00	O-ring	3
56	P00144-00	Assembly air adaptor joint	1
57	P00150-00	Swivel joint	1
58	F00163-00	Wave ring	1
Accessory	P09005-00	Nosepiece 4.8mm / 5.0mm ID-E 3.3	1
Accessory	P09003-00	Nosepiece 4.0mm ID-C 2.7	1
Accessory	P00053-00	3-jaw set 30-deg.	1
Accessory	P09051-00	Hook	1
Accessory	P03847-00	Wrench	1
Accessory	P03822-00	Pusher 4.0mm	1
Accessory	A00009-00	Oil injection set	1