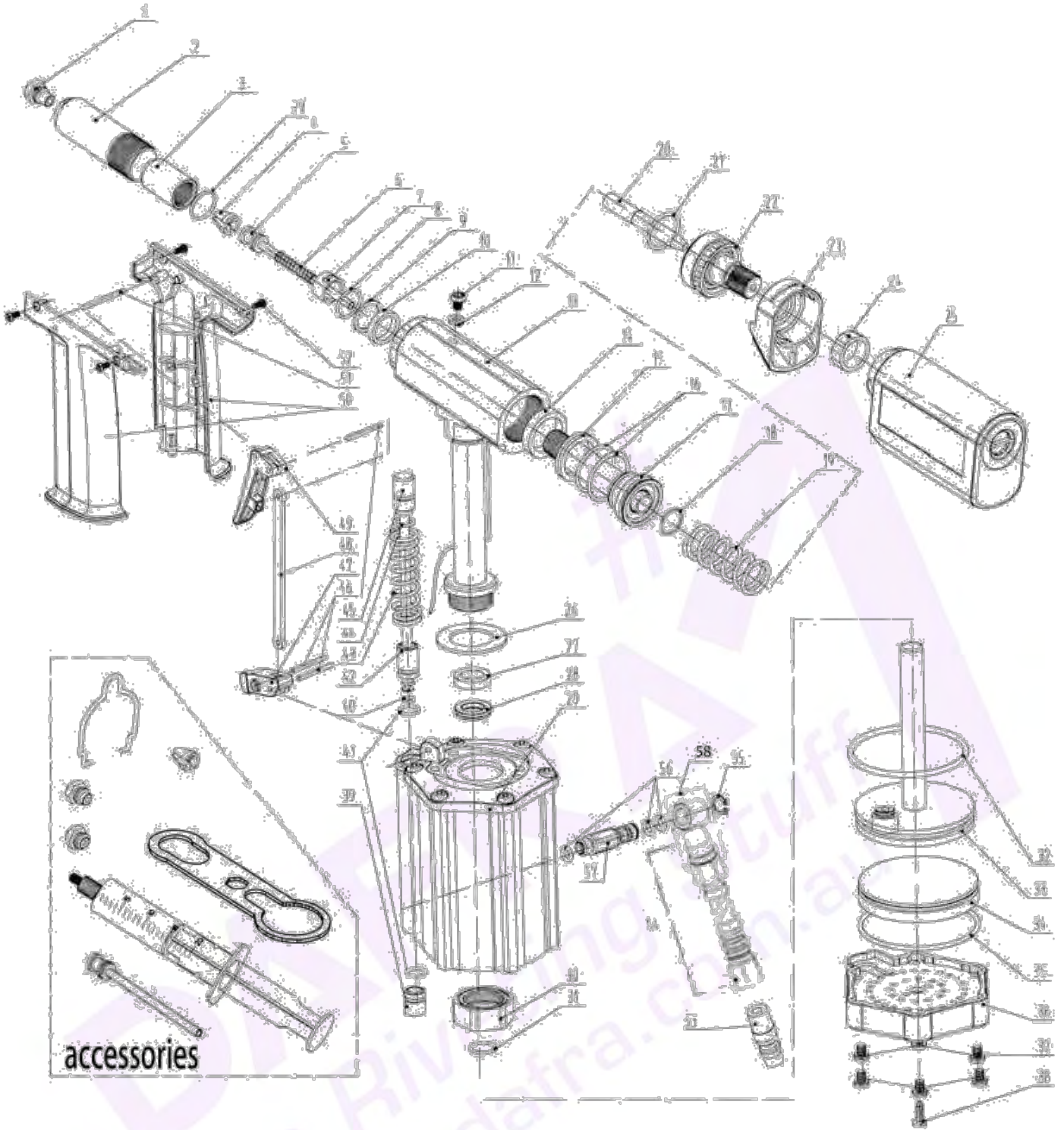


DRPN250V – PARTS LIST



PART POSITION	PART CODE	DESCRIPTION	QTY in Tool/Kit
1	P09005-00	Nosepiece 4.8mm / 5.0mm ID-E 3.3	1
2	A00001-00	Assembly front sleeve	1
3	P00252-00	Clamping sleeve 20-deg.	1
4	P00405-00	3-jaw set 20-deg.	1
5	P03821-00	Pusher 5.0mm	1
6	P00181-00	Pusher spring	1

DRPN250V – PARTS LIST

PART POSITION	PART CODE	DESCRIPTION	QTY in Tool/Kit
7	P00173-00	Clamping sleeve locknut	1
8	F00021-00	O-ring	1
9	P00047-00	Support ring	1
10	F00022-00	U-ring	1
11	P00009-00	Screw	1
12	F00002-00	Washer	1
13	A02078-00	Assembly oil cylinder	1
14	F00003-00	U-ring	1
15	P00010-00	Piston pedestal washer	1
16	F00004-00	O-ring	2
17	A00039-00	Assembly plunger	1
18	F00011-00	O-ring	1
19	P00174-00	Return spring	1
20	P00186-01	Mandrel tube	1
21	F00105-00	O-ring	1
22	A00053-01	Assembly air adjuster	1
23	P00136-00	Retaining mandrel collector	1
24	P00137-00	Locknut	1
25	A00119-00	Assembly mandrel collector / neutral	1
26	P00017-00	Oil cylinder washer	1
27	F00006-00	U-ring	1
28	P00018-00	Support ring	1
29	A00045-00	Assembly air cylinder	1
30	P00022-00	Oil cylinder locknut	1
31	F00007-00	O-ring	1
32	F00023-00	O-ring	1
33	A00012-00	Assembly air plunger	1
34	P00054-00	Piston pedestal	1
35	F00024-00	O-ring	1
36	P00055-00-00	Air cylinder bottom	1
37	P00021-00	Air cylinder screw	6
38	P00029-00	Air cylinder pedestal screw	1
39	P00030-00	Switch lower base	1
40	F00010-00	O-ring	1
41	F00011-00	O-ring	2
42	P00031-00	Switch upper base	1
43	P00032-00	Switch shaft spring	1
44	F00012-00	O-ring	1

DRPN250V – PARTS LIST

PART POSITION	PART CODE	DESCRIPTION	QTY in Tool/Kit
45	A00013-00	Assembly trigger shaft	1
46	F00013-00	Pin	3
47	P00057-00	Lever	1
48	P00245-00	Connecting rod	1
49	P00058-00-77	Trigger-short	1
50	A00178-00-00	Assembly grips	1
51	F00014-00	Pin	1
52	P00039-00	Screw	4
53	F00015-00	Air adaptor default	1
54	A00118-00	Assembly air hose with switch	1
55	F00048-00	A-circlip	1
56	F00016-00	O-ring	3
57	P00144-00	Assembly air adaptor joint	1
58	P00150-00	Swivel joint	1
59	F00163-00	Wave ring	1
Accessory	P00405-00	3-jaw set 20-deg.	1
Accessory	A00009-00	Oil injection set	1
Accessory	P03822-00	Pusher 4,0mm	1
Accessory	P03847-00	Wrench	1
Accessory	P09002-00	Nosepiece 3.0mm / 3.2mm ID-B 2.3	1
Accessory	P09003-00	Nosepiece 4.0mm ID-C 2.7	1
Accessory	P09051-00	Hook	1