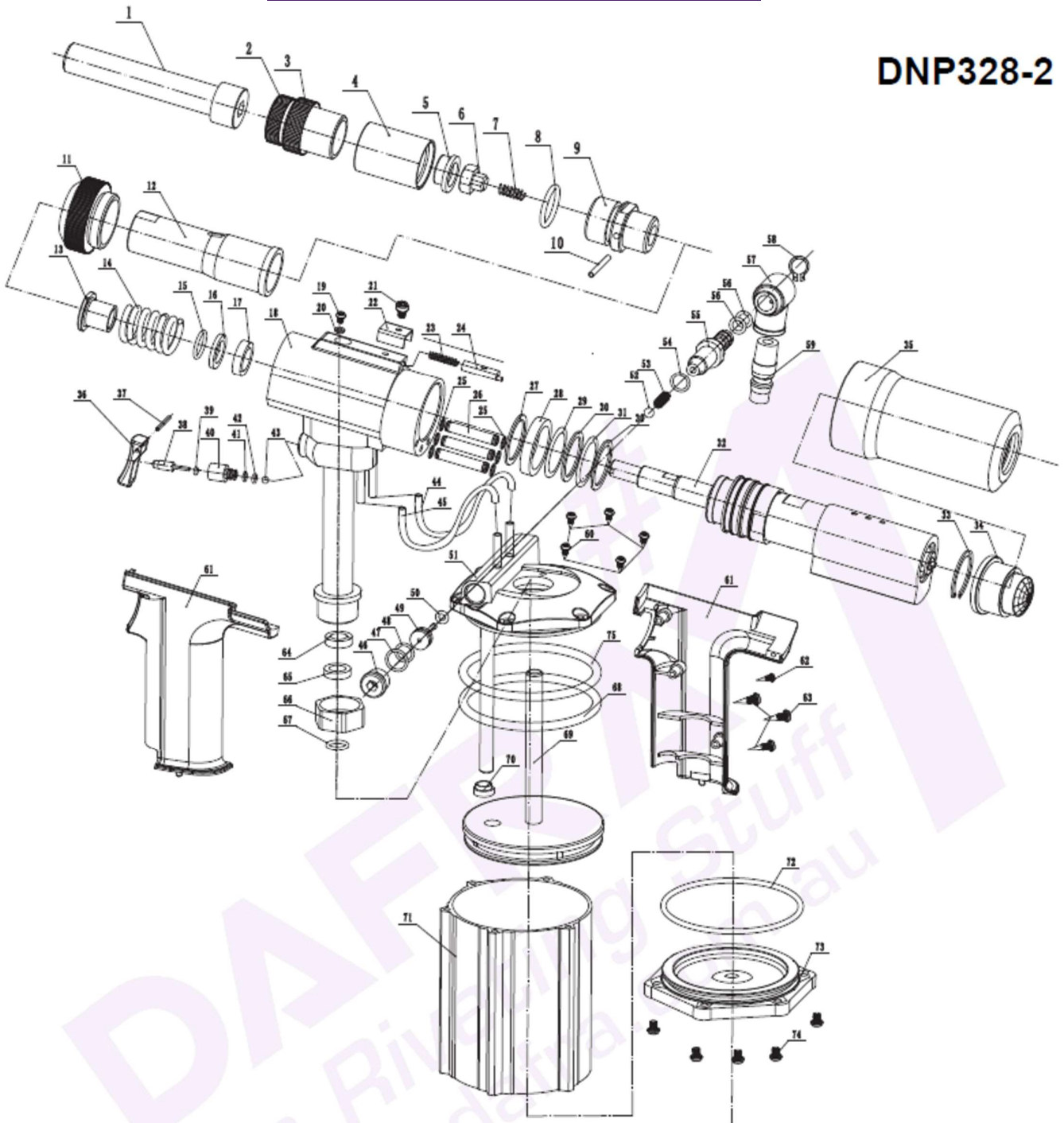


DNP328-2 – PARTS LIST

DNP328-2



PART POSITION	PART CODE	DESCRIPTION	QTY in Tool/Kit
1	P03006-00	Screw puller M8	1
2	P00306-00	Anvil M8	1
3	P01090-00	Locknut	5
4	P00481-00	Sleeve	1
5	P00488-00	M8 puller washer	1
6	P00494-00	M8 drive bar	1

Dafra Fastening Systems - Rivets Rivnuts & Tooling

1 / 7 Jarrah Drv, Braeside VIC 3195 Australia

P: +61 3 9555 6872 | F: +61 3 9555 0803

E: sales@dafra.com.au | dafra.com.au

DAFRA
in Riveting Stuff
dafra.com.au

DNP328-2 – PARTS LIST

PART POSITION	PART CODE	DESCRIPTION	QTY in Tool/Kit
7	P03003-00	Spring	1
8	F60074-00	O-ring 16 x 2.4	1
9	P04404-00	Spring seat	1
10	F00121-00	Pin	1
11	P04416-00	Retaining ring	1
12	P04699-00	Nose sleeve	1
13	P03963-00	Spring seat	1
14	P03964-00	Spring	1
15	F60038H00	O-ring 18 x 1.9	1
16	P03967-00	Support ring	1
17	F00031-00	U-ring 14 x 21 x 5	1
18	A02187-00	Oil cylinder (Daфра Logo)	1
19	P00009-00	Screw	1
20	F00002-00	Washer	1
21	P03970-00	Screw	1
22	P03971-00	Stroke set slider	1
23	P03969-00	Spring	1
24	P03972-00	Lock pin	1
25	F60200-00	O-ring 6 x 1	6
26	P04004-00	Hose	3
27	P04422-00	Support ring	1
28	F00278-00	U-ring 24 x 30 x 6	1
29	F60083-00	O-ring 30 x 1.5	1
30	P04482-00	Support ring	2
31	F00308-00	O-ring 30 x 1	1
32	A02188-00	Air motor	1
33	F00211-00	Circlip	1
34	A02255-00	Release button set	1
35	P04423-00	Spring sleeve	1
36	P03986-00	Trigger	1
37	P00358-00	Trigger pin	1
38	P03985-00	Pusher rod	1
39	F00115-00	O-ring 5 x 1.9	1
40	P03984-00	Sleeve	1
41	F60200-00	O-ring 6 x 1	1
42	F00140-00	O-ring 6 x 1.5	1
43	F00052-00	Steel ball	1
44	P03982-00	Hose 6 x 112 mm	1

DNP328-2 – PARTS LIST

PART POSITION	PART CODE	DESCRIPTION	QTY in Tool/Kit
45	P03983-00	Hose 4.5 x 109 mm	1
46	P04001-00	Blockage end	1
47	F00174-00	O-ring	1
48	F00011-00	O-ring 12 x 1.5	1
49	P04000-00	Control rod	1
50	F00113-00	O-ring 4.6 x 2	1
51	A02190-00	Air cylinder upper lid	1
52	P03998-00	Rubber ball	1
53	P03997-00	Spring	1
54	F00011-00	O-ring 12 x 1.5	1
55	P04484-00	Connector	1
56	F00016-00	O-ring	2
57	P04154-00	Air adaptor joint	1
58	F00048-00	Circlip	1
59	F00015-00	Air adaptor	1
60	P04858-00	Screw	5
61	P03979-00	Grip	1
62	F00299-00	Screw	1
63	F00315-00	Screw	3
64	F00134-00	U-ring 9 x 19 x 6	1
65	P04967-00	Support ring	1
66	P04411-00	Nut	1
67	F00011-00	O-ring 12 x 1.5	1
68	F00008-00	O-ring	1
69	A02324-00	Air piston	1
70	F00226-00	Ring 8 x 12 x 3.5	1
71	P04414-00-96	Air cylinder blue	1
72	F00009-00	O-ring	1
73	A02246-00	Air cylinder bottom	1
74	P04858-00	Screw	5
75	F00307-00	O-ring 70 x 1.9	1
accessory	P00307-00	Anvil M6	1
accessory	P00308-00	Anvil M5	1
accessory	P00309-00	Anvil M4	1
accessory	P00310-00	Anvil M3	1
accessory	P00484-00	M3 puller washer	1
accessory	P00485-00	M4 puller washer	1
accessory	P00486-00	M5 puller washer	1

DNP328-2 – PARTS LIST

PART POSITION	PART CODE	DESCRIPTION	QTY in Tool/Kit
accessory	P00487-00	M6 puller washer	1
accessory	P00490-00	M4 drive bar	1
accessory	P00491-00	M5 drive bar	1
accessory	P00492-00	M3 drive bar	1
accessory	P00493-00	M6 drive bar	1
accessory	P03007-00	Screw puller M6	1
accessory	P03008-00	Screw puller M5	1
accessory	P03009-00	Screw puller M4	1
accessory	P03010-00	Screw puller M3	1
accessory	P04714-00	Anti-block sticker	1
accessory	P03215-00	Wrench	1
accessory	P03200-00	Hook-shaped wrench	1
accessory	P04156-00	Hook	1
accessory	A02254-00	Injection tube	1

