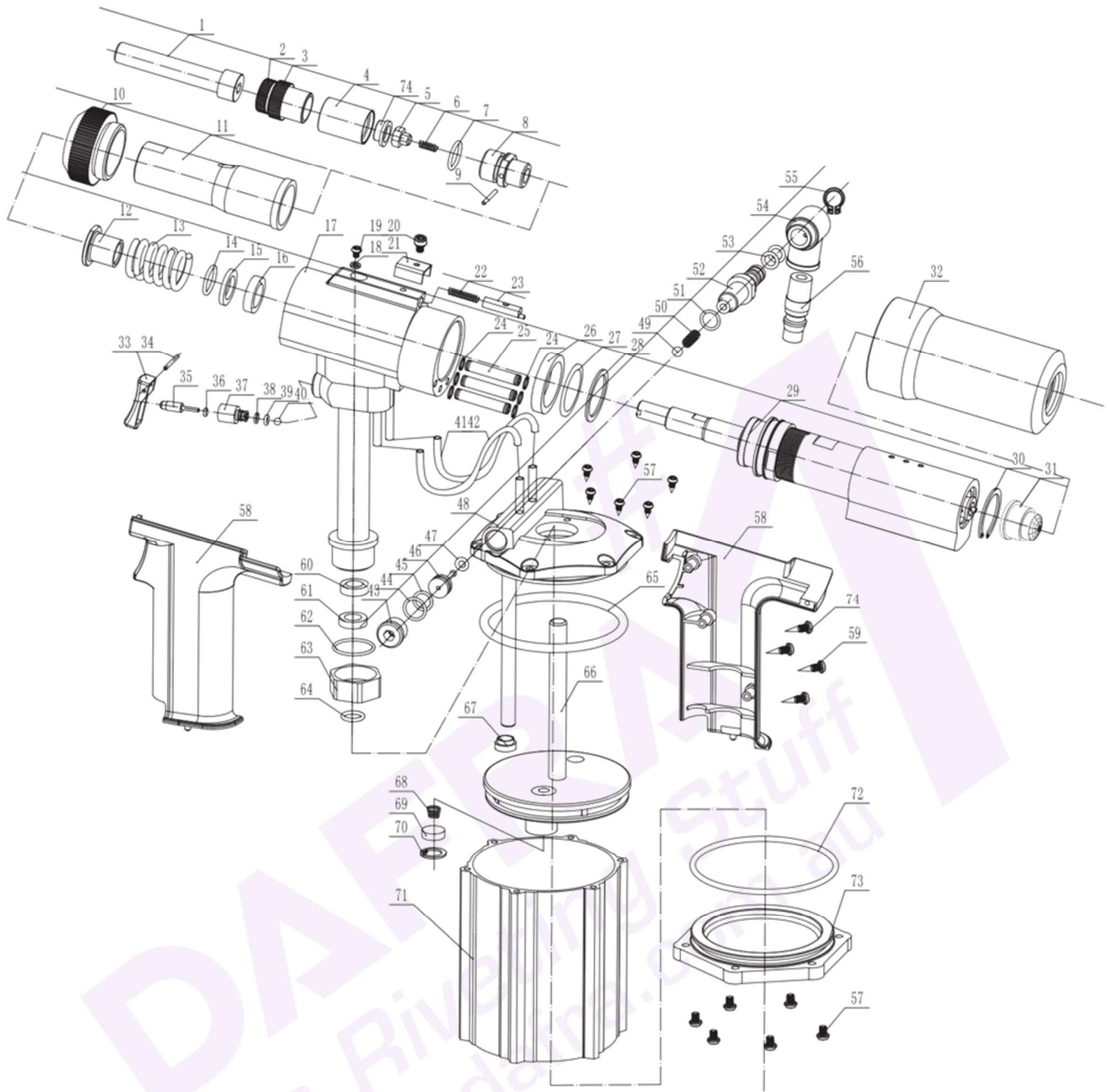


DNP3212-2 – PARTS LIST



PART POSITION	PART CODE	DESCRIPTION	QTY in Tool/Kit
1	P03004-00	Cap screw M12	1
2	P00377-00	Anvil M12	1
3	P01090-00	Locknut	1
4	P00481-00	Adaptor sleeve	1
5	P00495-00	Drive bar for M12	1
6	P03003-00	Spring	1

Dafra Fastening Systems - Rivets Rivnuts & Tooling

1 / 7 Jarrah Drv, Braeside VIC 3195 Australia

P: +61 3 9555 6872 | F: +61 3 9555 0803

E: sales@dafra.com.au | dafra.com.au

#DAFRA
in Riveting Stuff
dafra.com.au

DNP3212-2 – PARTS LIST

PART POSITION	PART CODE	DESCRIPTION	QTY in Tool/Kit
7	F60074-00	O-ring 16 x 2.4	1
8	P03962-00	Spring	1
9	F00505-00	Pin	1
10	P03965-00	Retaining ring	1
11	P03961-00	Nose sleeve	1
12	P03963-00	Spring seat	1
13	P03964-00	Return spring	1
14	F60038H00	O-ring 18 x 1.9	1
15	P03967-00	Support ring	1
16	F00031-00	U-ring 14 x 21 x 5.0	1
17	A02100-00	Oil cylinder	1
18	F00002-00	Washer	1
19	P00009-00	Screw	1
20	P03970-00	Screw	1
21	P03971-00	Stroke setting slider	1
22	P03969-00	Spring	1
23	P03972-00	Lock pin	1
24	F60200-00	O-ring 6 x 1.0	6
25	P04004-00	Hose	3
26	F00221-00	U-ring 27 x 35 x 5.0	1
27	F00222-00	O-ring 35 x 1.5	1
28	P03968-00	Support ring	1
29	A02097-00	Air motor	1
30	F00211-00	Circlip	1
31	A02255-00	Release button set	1
32	P03975-00	Stroke setting knob	1
33	P03986-00	Button	1
34	P00358-00	Pin	1
35	P03985-00	Switch pusher	1
36	F00115-00	O-ring 5 x 1.9	1
37	P03984-00	Switch sleeve	1
38	F60200-00	O-ring 6 x 1.0	1
39	F00140-00	O-ring 6 x 1.5	1
40	F00052-00	Steel ball	1
41	P03982-00	Hose 6.0 x 112	1
42	P03983-00	Hose 4.5 x 109	1
43	P04001-00	Blockage end	1
44	F00174-00	O-ring	1

DNP3212-2 – PARTS LIST

PART POSITION	PART CODE	DESCRIPTION	QTY in Tool/Kit
45	F00011-00	O-ring 12 x 1.5	1
46	P04000-00	Control rod	1
47	F00113-00	O-ring 8.4 x 2.0	1
48	A02136-00	Air cylinder lid	1
49	P03998-00	Rubber ball dia. 6.0	1
50	P03997-00	Spring	1
51	F00011-00	O-ring 12 x 1.5	1
52	P03996-00	Connector	1
53	F00016-00	O-ring	2
54	P04154-00	Air swivel joint	1
55	F00048-00	A-circlip	1
56	F00015-00	Air adaptor default	1
57	P04858-00	Screw	12
58	P03979-00	Grip	1
59	F00315-00	Self-drilling screw	3
60	F00212-00	U-ring 10 x 16 x 4.5	1
61	P03989-00	Support ring	1
62	F00316-00	O-ring 24 x 1.5	1
63	P03990-00	Nut	1
64	F00040-00	O-ring 13 x 1.5	1
65	F00317-00	O-ring	1
66	A02096-00	Piston	1
67	F00226-00	Dust ring 8 x 12 x 3.5	1
68	P00051-00	Spring	1
69	P00052-00	Gasket	1
70	F00049-00	Circlip	1
71	P03994-00-96	Air cylinder black	1
72	F00227-00	O-ring	1
73	P03995-00	Air cylinder bottom	1
74	F00299-00	Self-drilling screw	1
accessory	P00378-00	Anvil M10	1
accessory	P00306-00	Anvil M8	1
accessory	P00307-00	Anvil M6	1
accessory	P00308-00	Anvil M5	1
accessory	P00309-00	Anvil M4	1
accessory	P00310-00	Anvil M3	1
accessory	P01090-00	Locknut	6

DNP3212-2 – PARTS LIST

PART POSITION	PART CODE	DESCRIPTION	QTY in Tool/Kit
accessory	P00488-00	Drive bar washer for M8	1
accessory	P00487-00	Drive bar washer for M6	1
accessory	P00486-00	Drive bar washer for M5	1
accessory	P00485-00	Drive bar washer for M4	1
accessory	P00484-00	Drive bar washer for M3	1
accessory	P00489-00	Drive bar for M10	1
accessory	P00494-00	Drive bar for M8	1
accessory	P00493-00	Drive bar for M6	1
accessory	P00491-00	Drive bar for M5	1
accessory	P00490-00	Drive bar for M4	1
accessory	P00492-00	Drive bar for M3	1
accessory	P03005-00	Cap screw M10	1
accessory	P03006-00	Cap screw M8	1
accessory	P03007-00	Cap screw M6	1
accessory	P03008-00	Cap screw M5	1
accessory	P03009-00	Cap screw M4	1
accessory	P03010-00	Cap screw M3	1
accessory	P04714-00	Anti-block sticker	1
accessory	A02254-00	Injection tube	1
accessory	P04156-00	Hook	1
accessory	P03215-00	Wrench	1
accessory	P03200-00	Hook-shaped wrench	1