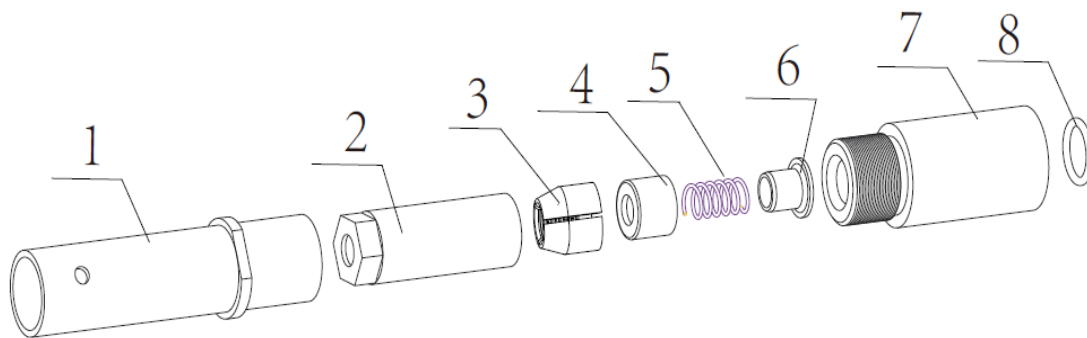


Nose Set HK640G-MG08

capacity: 1/4" Magnagrip



LOCATION REF. NO.	PART NO.	COMPONENT PARTS	Quantities in Set
1	A02060-00	nose assembly	1
2	P03781-00	jaw case	1
3	P03783-00	jaw set	1
4	P03784-00	pusher	1
5	P03785-00	pusher spring	1
6	P03786-00	spring seat	1
7	P03780-00	spring sleeve	1
8	F00202-00	O-ring 9x1.8	1