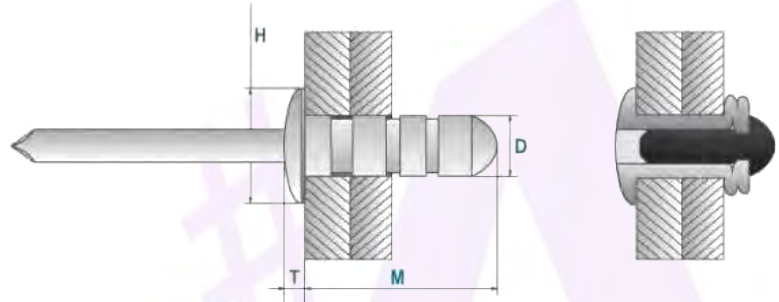
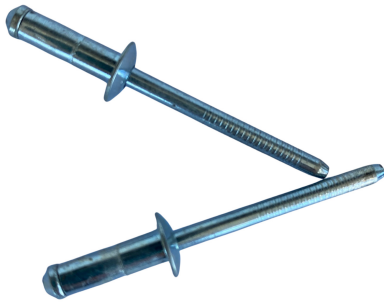


## MULTIGRIP RIVET MGABSS SERIES

<b>Head Type</b>	Dome Head
<b>Material (body / mandrel)</b>	Steel / Steel
<b>Finish (body / mandrel)</b>	Zinc Plate / Zinc Plate



Dimensions in millimetres.

Part Number	Rivet Diameter (D) nom.	Hole Size	Length (M) max.	Grip Range	Head Diameter (H) max.	Head Thickness (T) max.	Standard Strength (Kn) TYP.	
							Shear	Tensile
MGABSS0408	3.2 1/8"	3.3 ~ 3.4	9.1	1.0 ~ 3.0	6.8	1.4	1.2	1.3
MGABSS0411			11.7	3.0 ~ 5.0			1.7	
MGABSS0414			14.0	5.0 ~ 7.0			2.5	
MGABSS0509	4.0 5/32"	4.1 ~ 4.3	10.4	1.0 ~ 3.0	8.0	1.4	2.4	2.8
MGABSS0512			12.5	3.0 ~ 5.0			3.5	
MGABSS0516			15.1	5.0 ~ 7.0			4.1	
MGABSS0611	4.8 3/16"	4.9 ~ 5.1	12.9	1.5 ~ 3.5	9.6	1.5	3.6	3.8
MGABSS0614			15.5	3.5 ~ 6.0			4.2	
MGABSS0618			18.5	6.0 ~ 8.5			5.6	

**PLEASE NOTE – NOT ALL STYLES & SIZES ARE HELD IN STOCK AT ALL TIMES. PLEASE CONTACT US TO CHECK AVAILABILITY. MINIMUM ORDER QUANTITIES APPLY.**