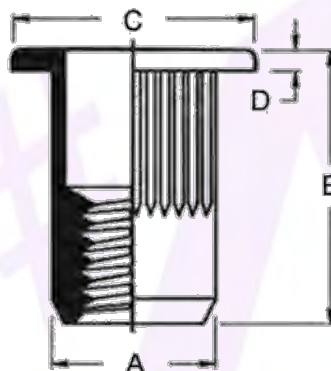


RIVNUT RNLFA SERIES

Description	Large Flange, Splined Body
Material	Aluminium
Finish	Plain



Dimensions in millimetres.

Part Number	Thread Size	Hole Size +0.1	A +0 / -0.15	B ±0.3	C ±0.3	D ±0.1	Grip Range
RNLFA0315	M3	5.1	5.0	9.0	8.0	0.8	0.8 ~ 2.5
RNLFA0425	M4	6.1	6.0	10.5	9.	0.8	0.8 ~ 2.5
RNLFA0435				11.5			2.5 ~ 3.5
RNLFA0525	M5	7.1	7.0	11.5	10.0	1.0	0.8 ~ 2.5
RNLFA0535				12.5			2.5 ~ 3.5
RNLFA0625	M6	9.1	9.0	13.5	12.5	1.5	1.0 ~ 2.5
RNLFA0640				15.0			2.5 ~ 4.0
RNLFA0825	M8	11.1	11.0	15.0	14.5	1.5	1.0 ~ 2.5
RNLFA0840				16.5			2.5 ~ 4.0
RNLFA1025	M10	13.1	13.0	15.5	16.5	1.5	1.0 ~ 2.5
RNLFA1040				17.0			2.5 ~ 4.0

PLEASE NOTE – NOT ALL STYLES & SIZES ARE HELD IN STOCK AT ALL TIMES. PLEASE CONTACT US TO CHECK AVAILABILITY. MINIMUM ORDER QUANTITIES APPLY.