

iPad Wall Mount

plus PoE Power



Secure iPad Wall Enclosure & Display with Integrated Power over Ethernet for iPad 10.2-inch

Mount and power iPad-based room controls, meeting room schedules, and digital signage in your home or business with iPad Wall Mount plus PoE Power. Featuring the details you need to run your iPad reliably around the clock, looks that seamlessly blend into any interior, and build quality guaranteed to withstand years of use. Our slimmest Wall Mount is here.

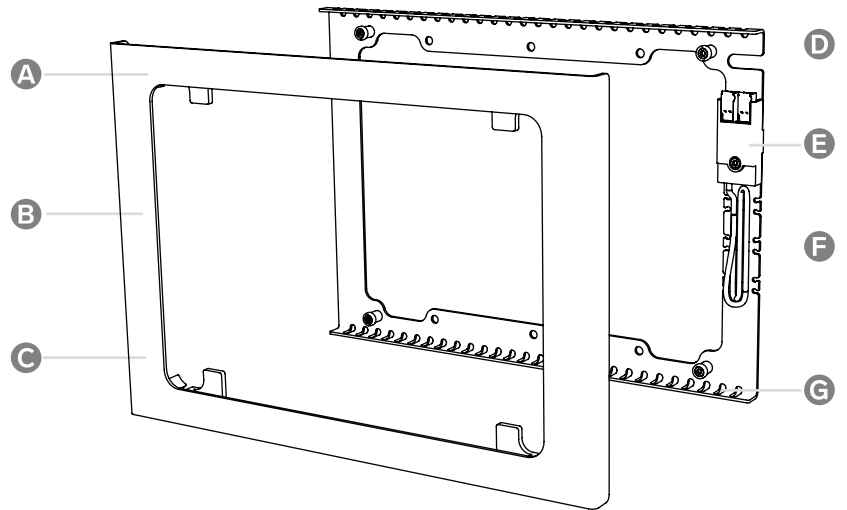
iPad Wall Mount

H608

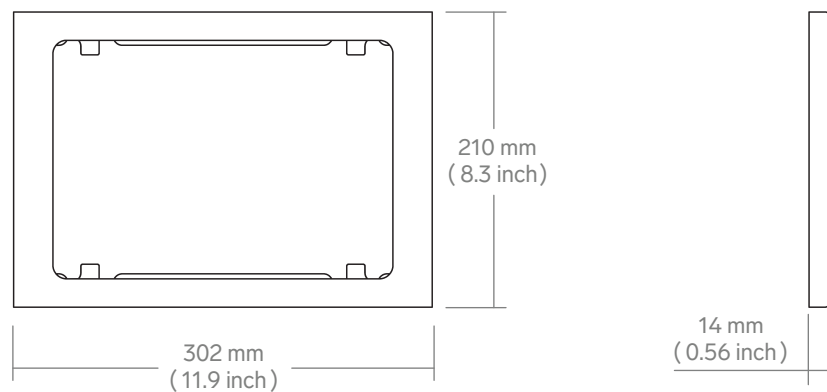
plus PoE Power

Features

- A Hidden assembly screws
- B Scratch & fingerprint-resistant powdercoat finish
- C Slim profile, entirely forward of the wall
- D Mount in landscape or portrait orientation
- E Integrated 24V PoE adapter (power only)
- F Minimally invasive, easy install
- G Ventilation promotes airflow to keep iPad cool



Dimensions



iPad Wall Mount

H608

plus PoE Power

Specifications

Price	\$199
SKU	H608
Height	8.3 inches
Width	11.9 inches
Depth	0.56 inches
Weight	1.5 lbs
Hardware Warranty	2 years
PoE Warranty	1 year via PoE Texas

Colors

Name	SKU
Black Grey	H608-BG
Grey White	H608-GW

Compatible Devices

iPad 10.2-inch 7th Generation

In the Box

Wall Mount plus PoE Power for iPad 10.2-inch
Drywall mounting hardware
Assembly tool