

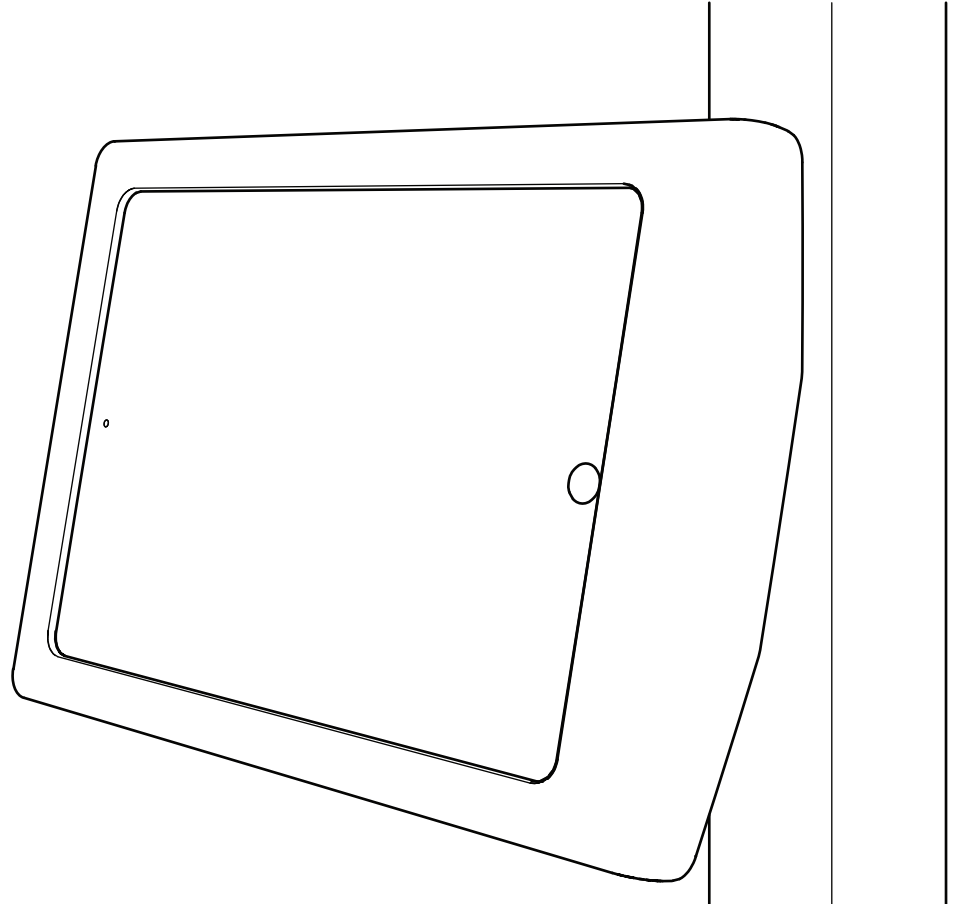
Heckler AV®



MULTI MOUNT

for iPad 10.2-inch 7th Generation

Assembly & Installation



Compatible with:

iPad 10.2-inch 7th Generation

Limited Warranty

Heckler Design warrants your product to be free from defect in material and workmanship for a period of two years from the original date of purchase. Electronic components are warranted to be free from defect for a period of one year from the original date of purchase. If you discover a defect, please contact service@hecklerdesign.com. Heckler Design will repair, at our discretion, using new or refurbished components. If repair is not possible, Heckler Design will replace the item.

1x



F628

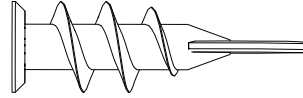


Ball-head hex assembly tool

2x



F155

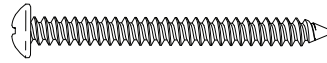


Drywall anchor

2x



F360



Drywall-mounting screw

2x



F486



Mullion-mounting screws

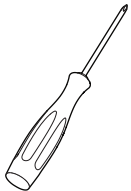
1x



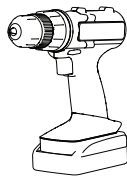
F639



Flat-head drywall-mounting screw



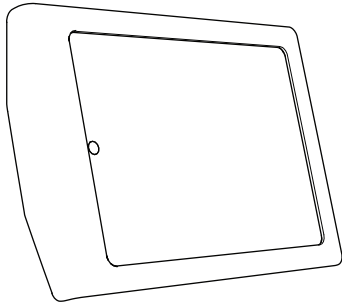
Phillips
Screwdriver



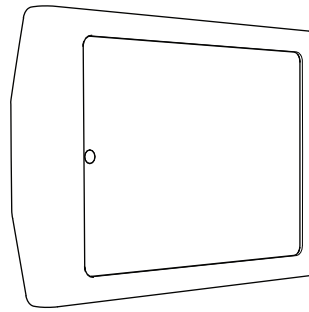
Power Drill

One Enclosure, Multiple Installations

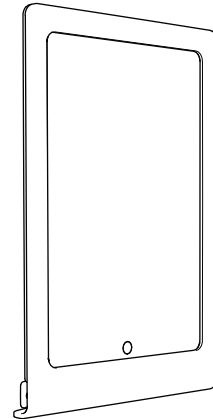
Install to drywall



Drywall, Angled

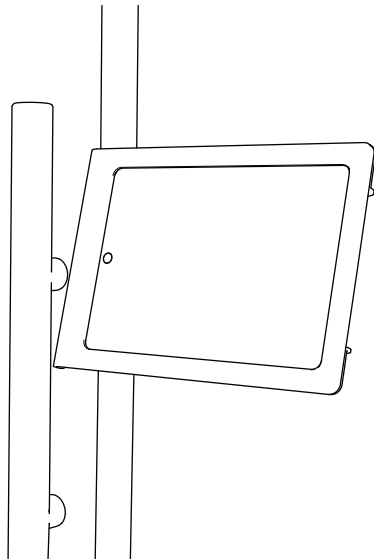


Drywall, Straight

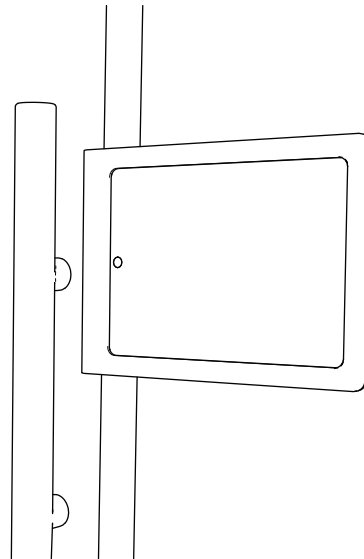


Drywall, Portrait

Install to door mullions

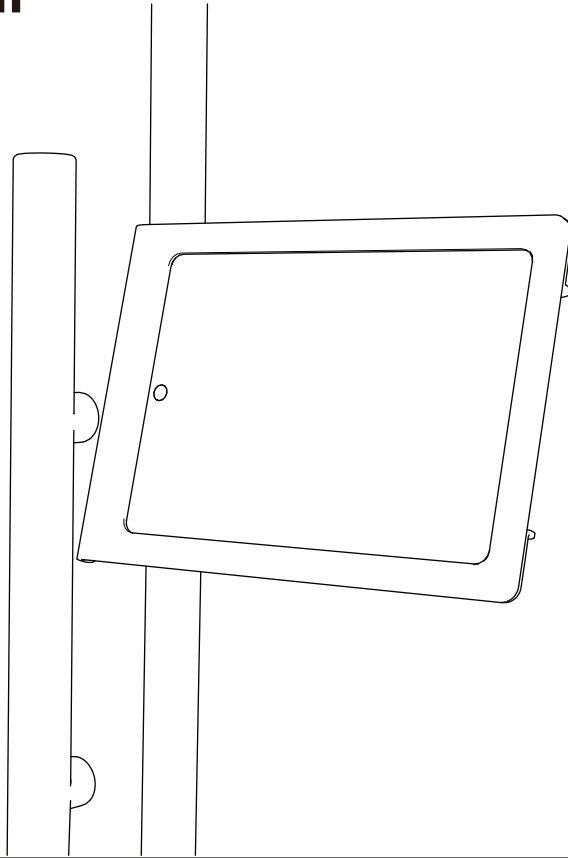


Mullion, Angled

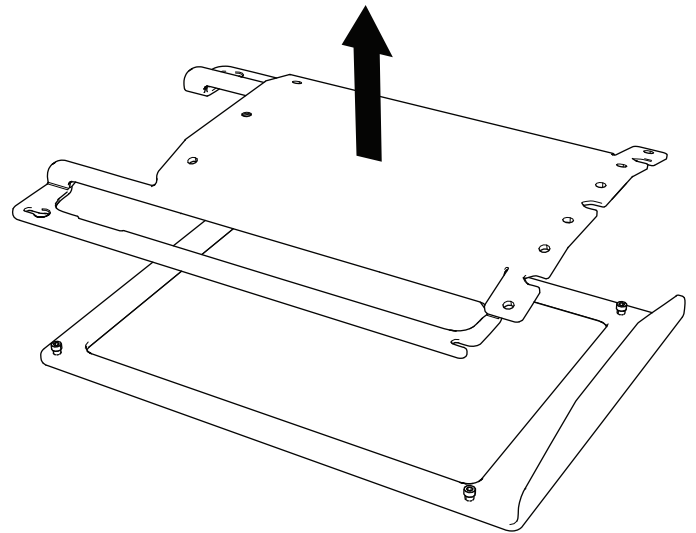
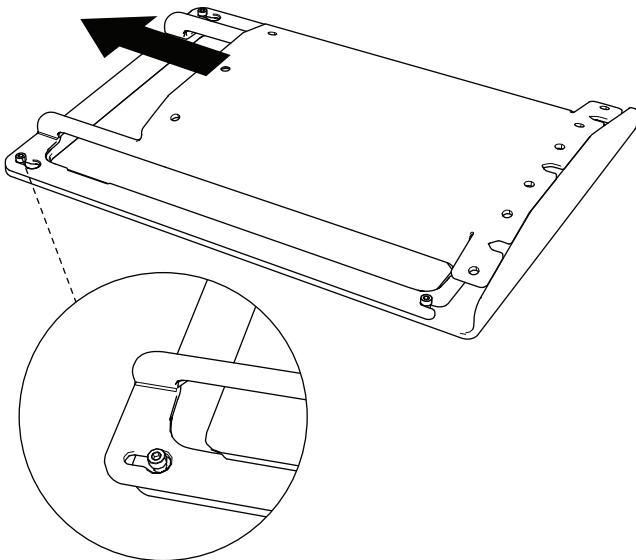



Mullion, Straight

Mullion Install

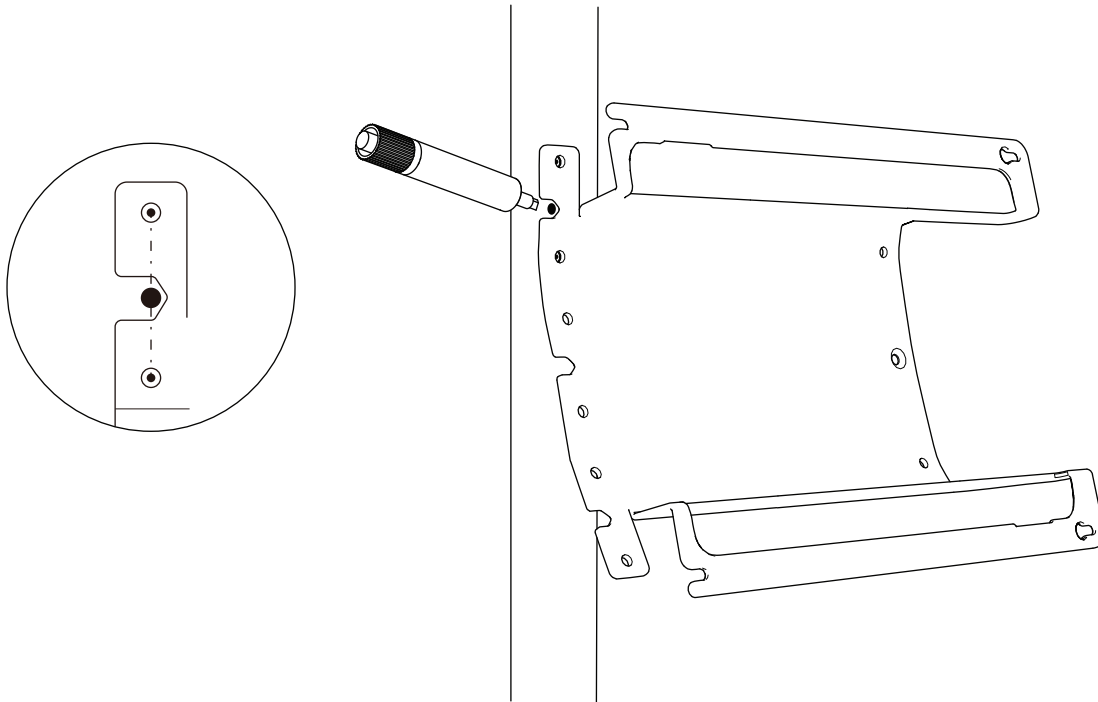


1 Disassemble Multi Mount

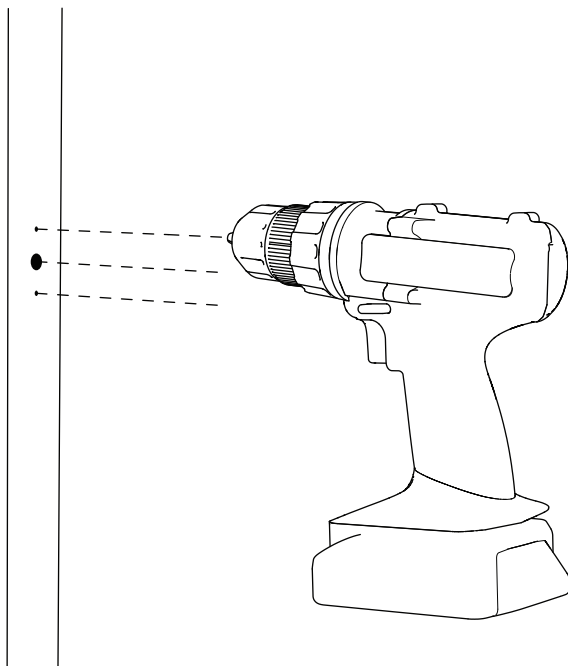


 Loosen, do not remove.

2 Mark mounting hole positions



3 Drill mounting + Ethernet cable holes



Screw Selection: You may use any screw you see fit for mounting the product to the mullion.



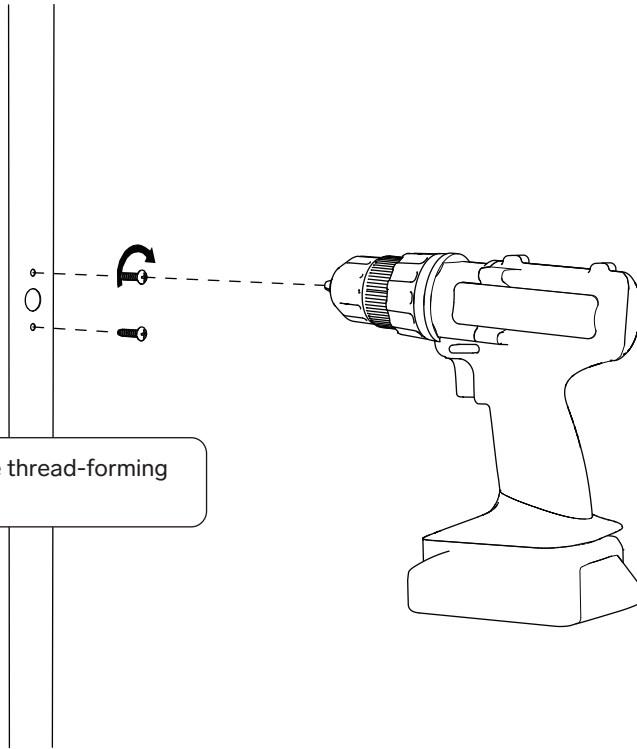
If you choose to use the self-tapping mounting screws provided, we recommend drilling a pilot hole with a #17 drill bit or a 5/32-inch drill bit.

Ethernet Cable hole: If your Ethernet cable has an RJ45 connector installed, drill a 5/8 inch hole in the position shown. Consider using a step drill bit to drill these larger holes.



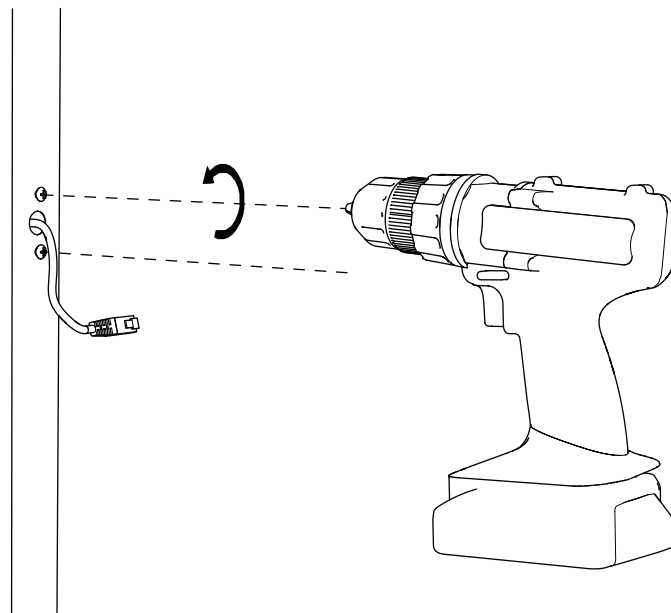
If you will install an RJ45 connector after the Ethernet cable is drawn through the mullion, a smaller hole can be created.

4 Form mounting hole threads

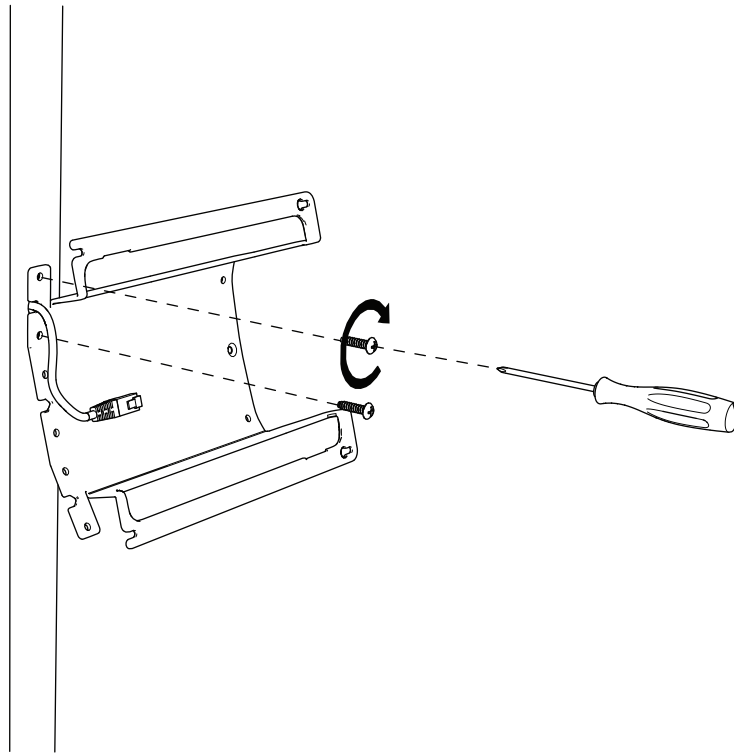
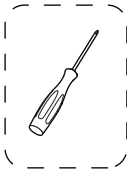


i The mounting screws provided are thread-forming screws.

5 Remove mounting screws and route Ethernet cable

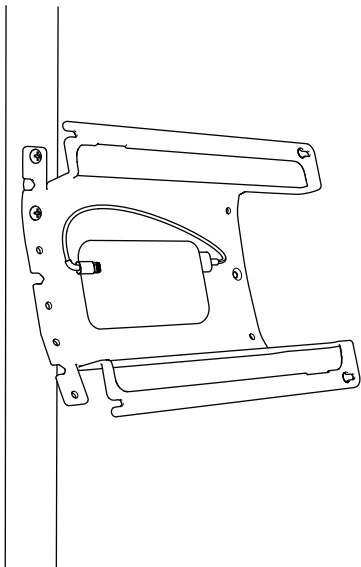


6 Fasten mounting bracket to mullion

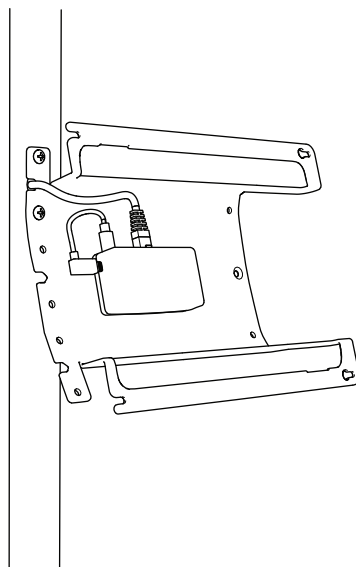


7 Charging options

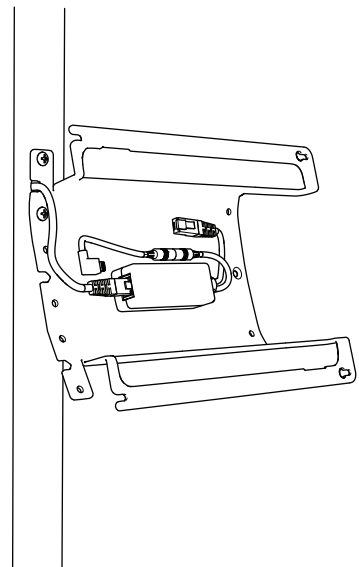
Battery Bank



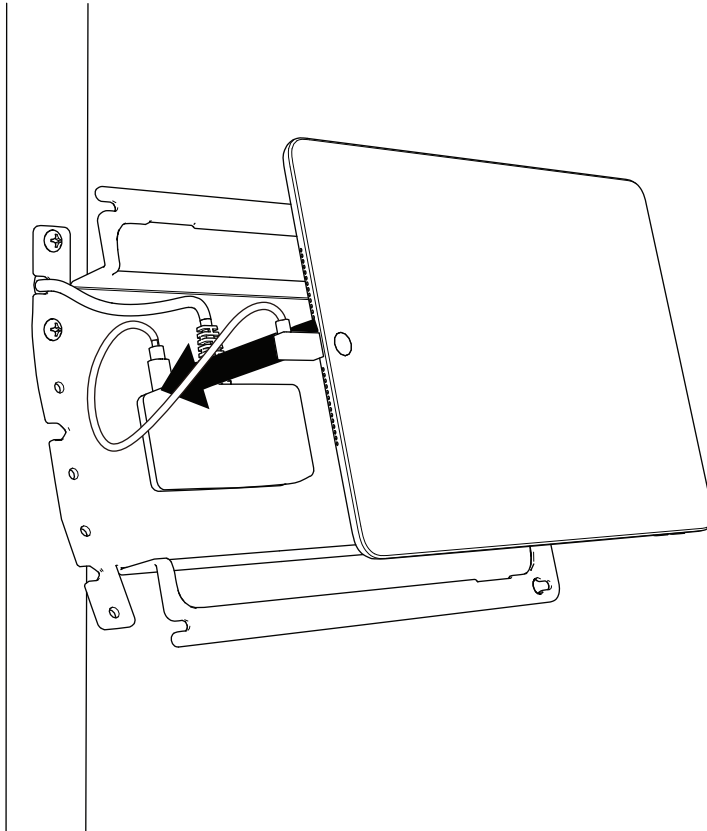
Gigabit + PoE Adapter



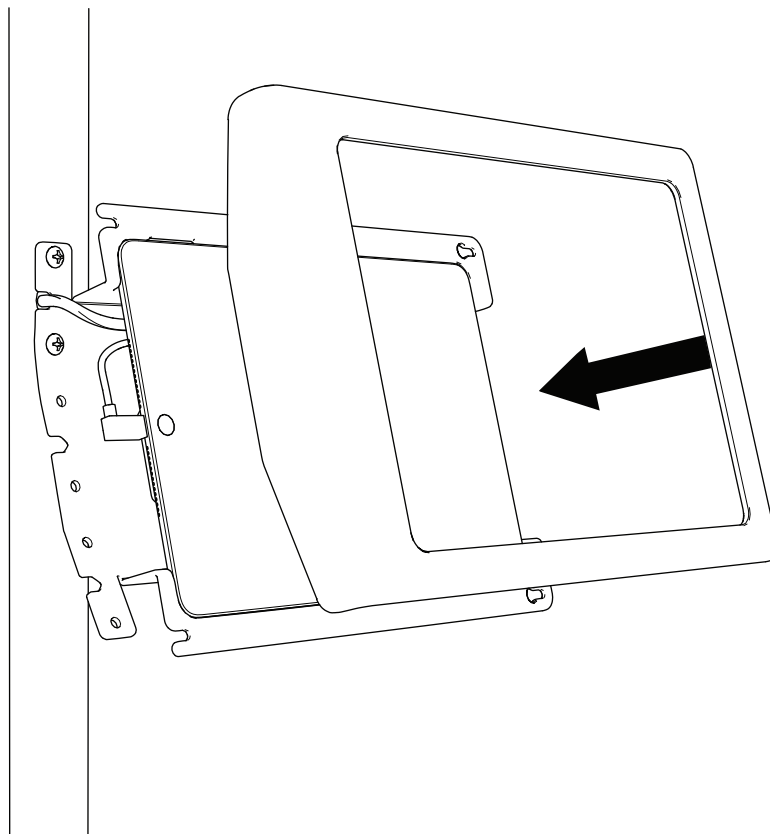
PoE Splitter (power only)



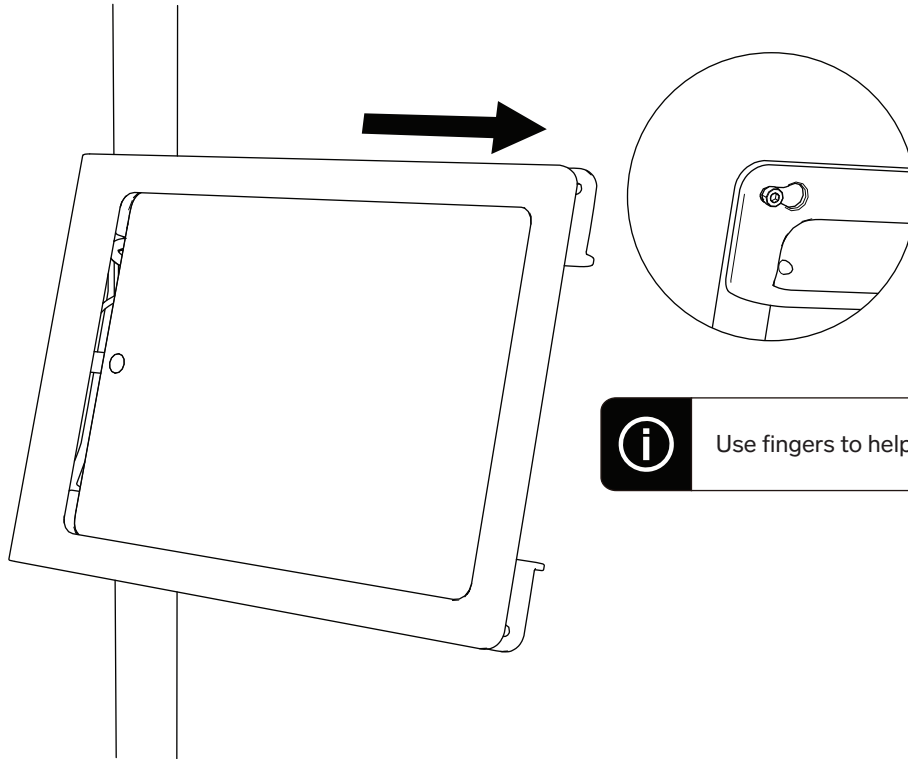
8 Install iPad



9 Install front bezel

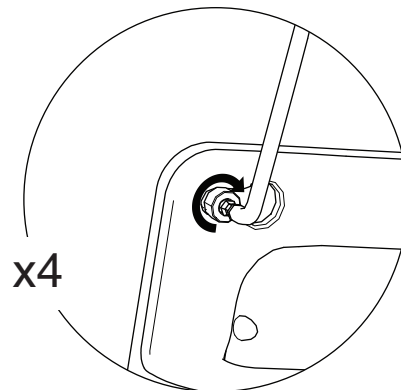
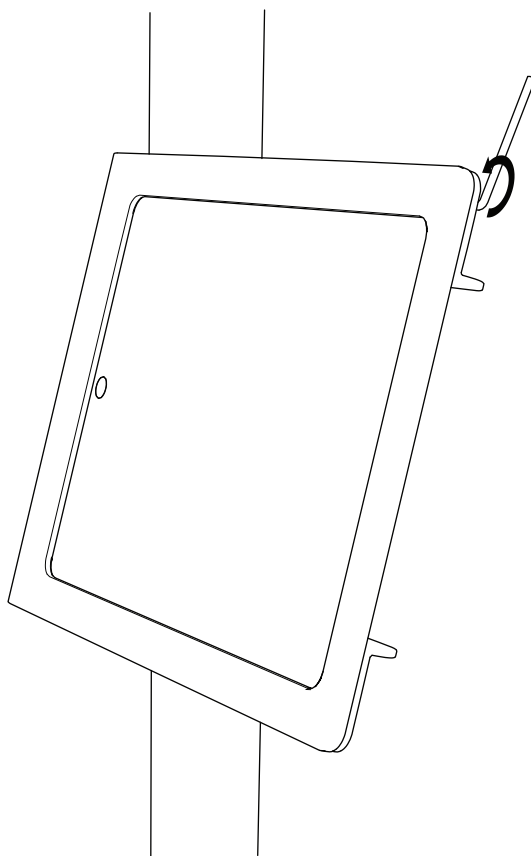


10 Slide front bezel onto mounting bracket

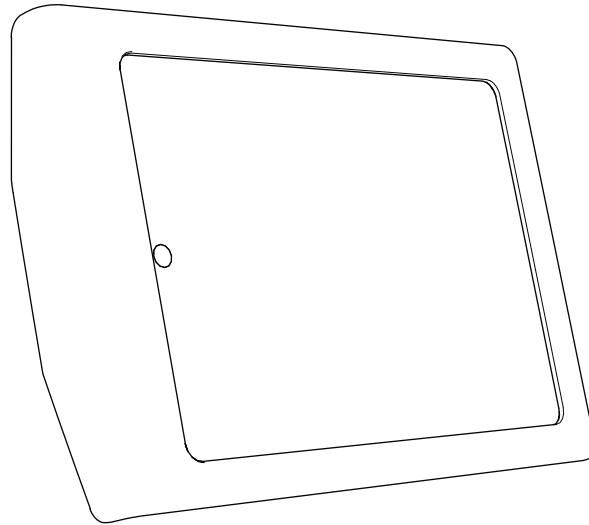


i Use fingers to help tighten screws

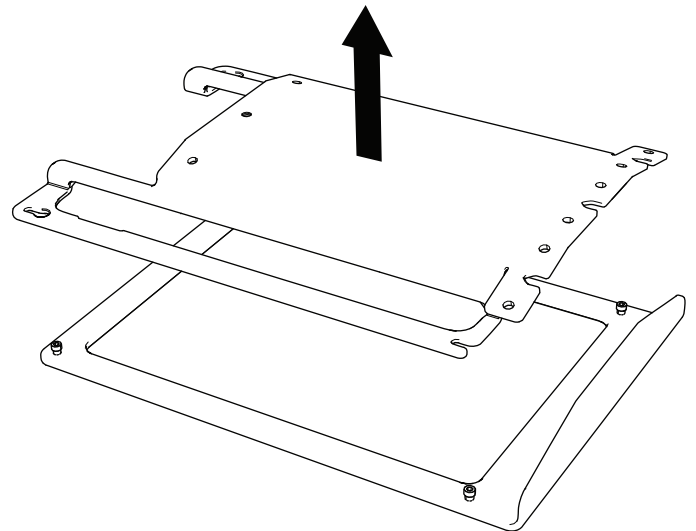
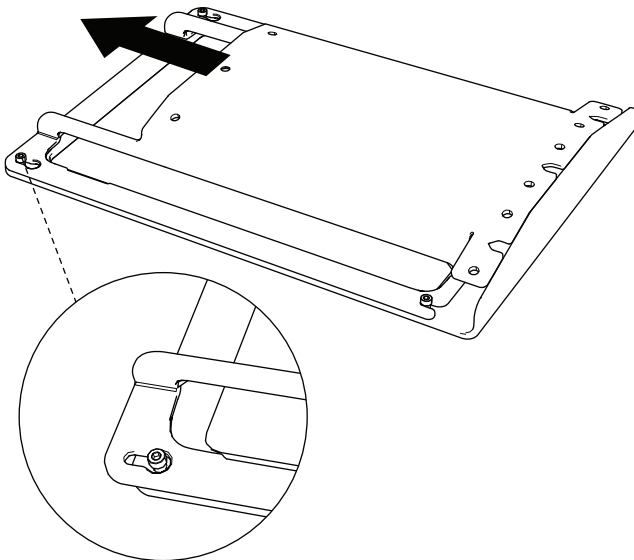
11 Tighten assembly screws



Drywall Install

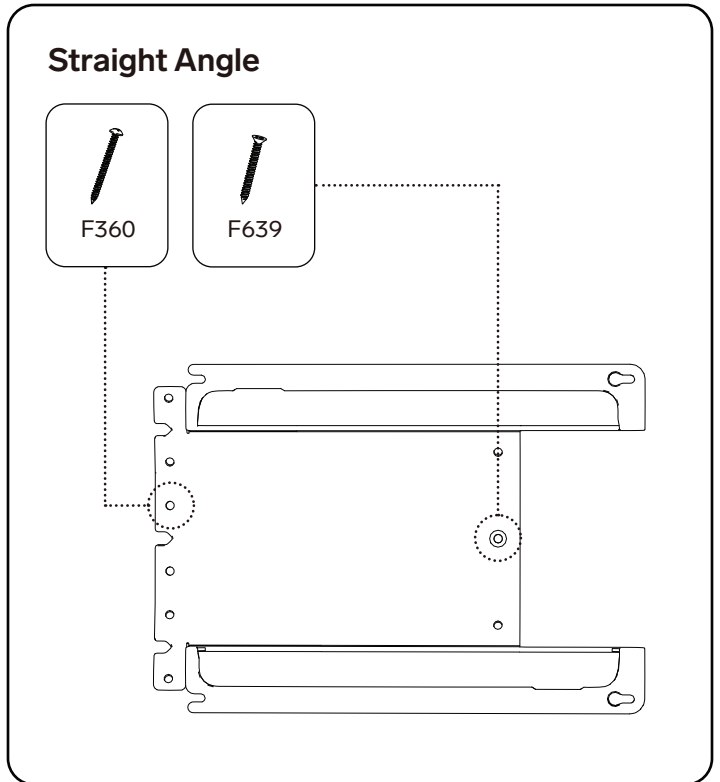
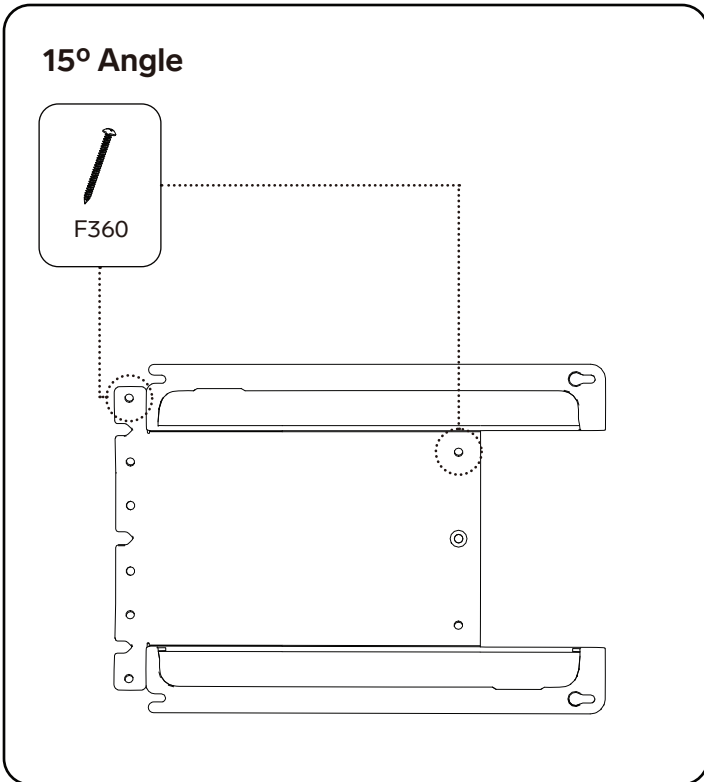
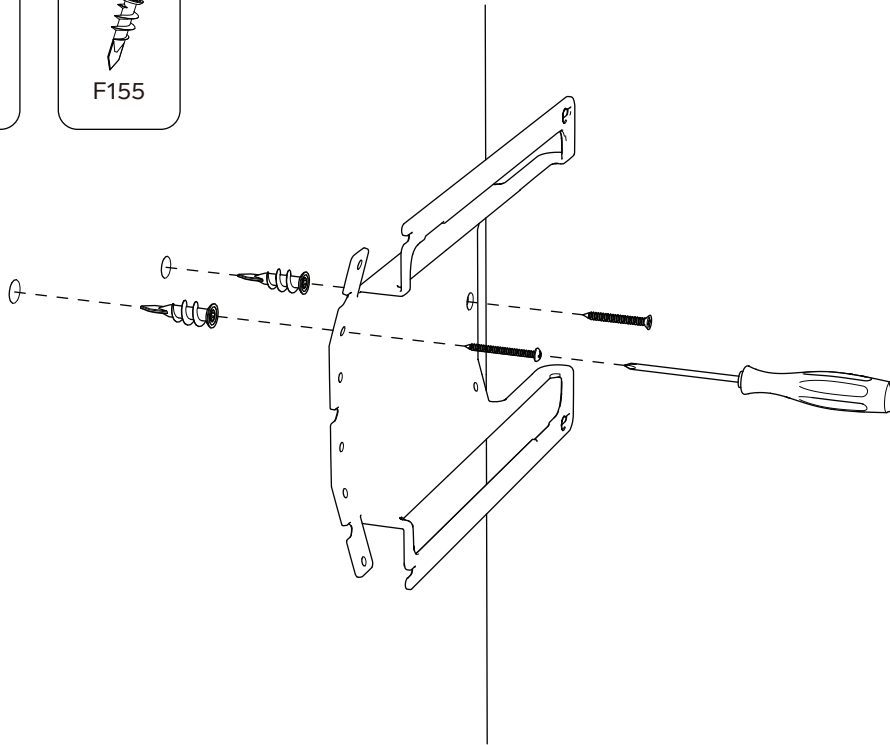
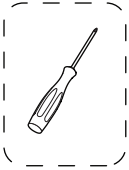


1 Disassemble Multi Mount



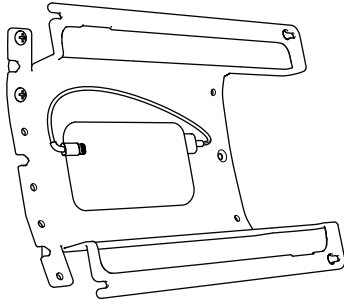
i Loosen, do not remove.

2 Install backplate to drywall

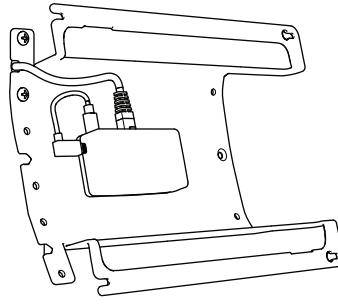


3 Charging options

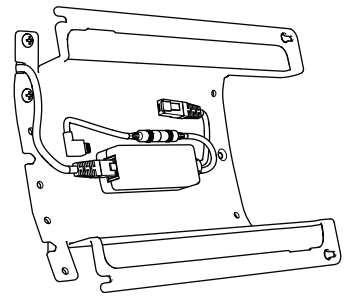
Battery Bank



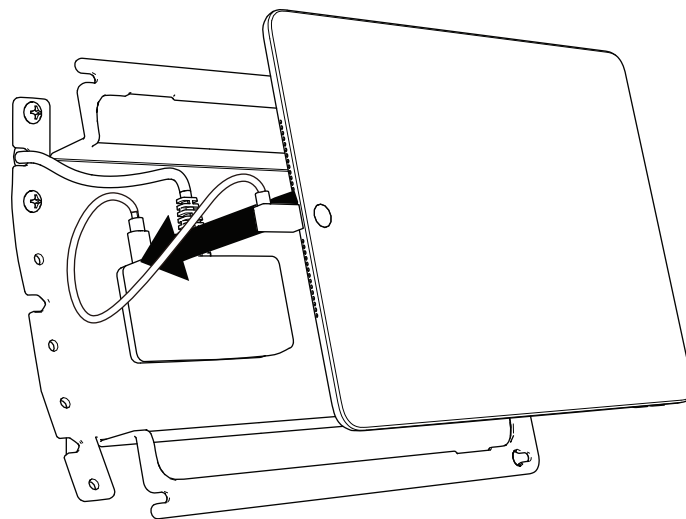
Gigabit + PoE Adapter



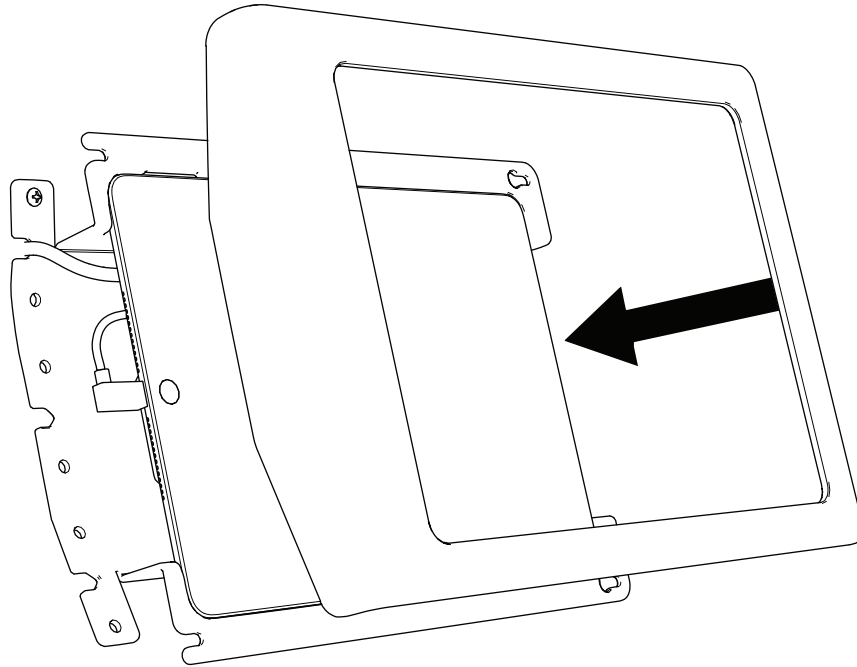
PoE Splitter (power only)



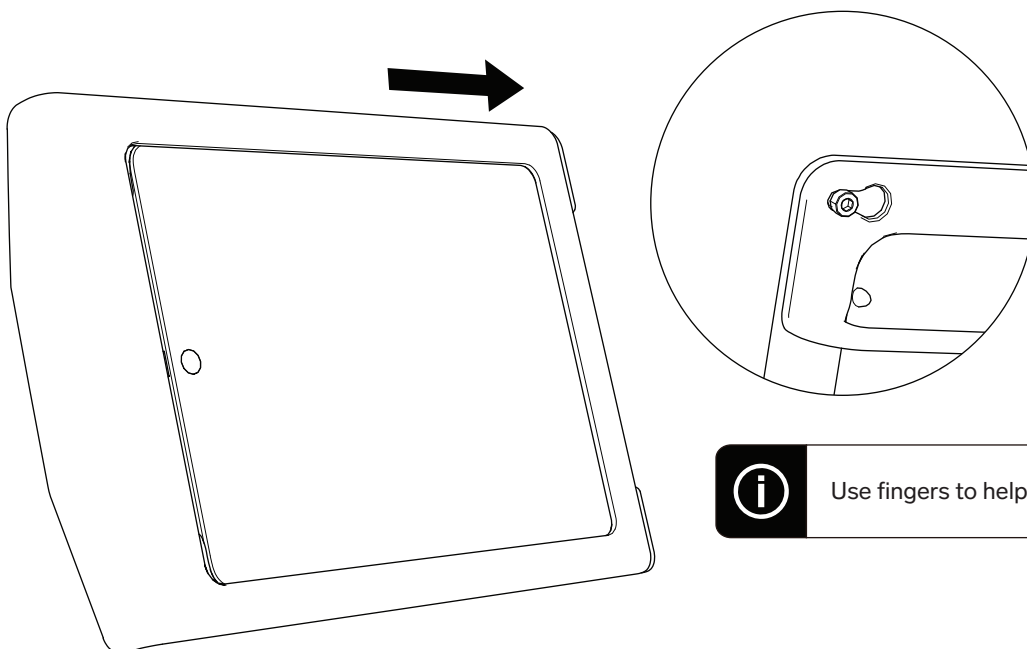
4 Install iPad



5 Install front bezel



6 Slide front bezel onto mounting bracket



7 Tighten assembly screws

