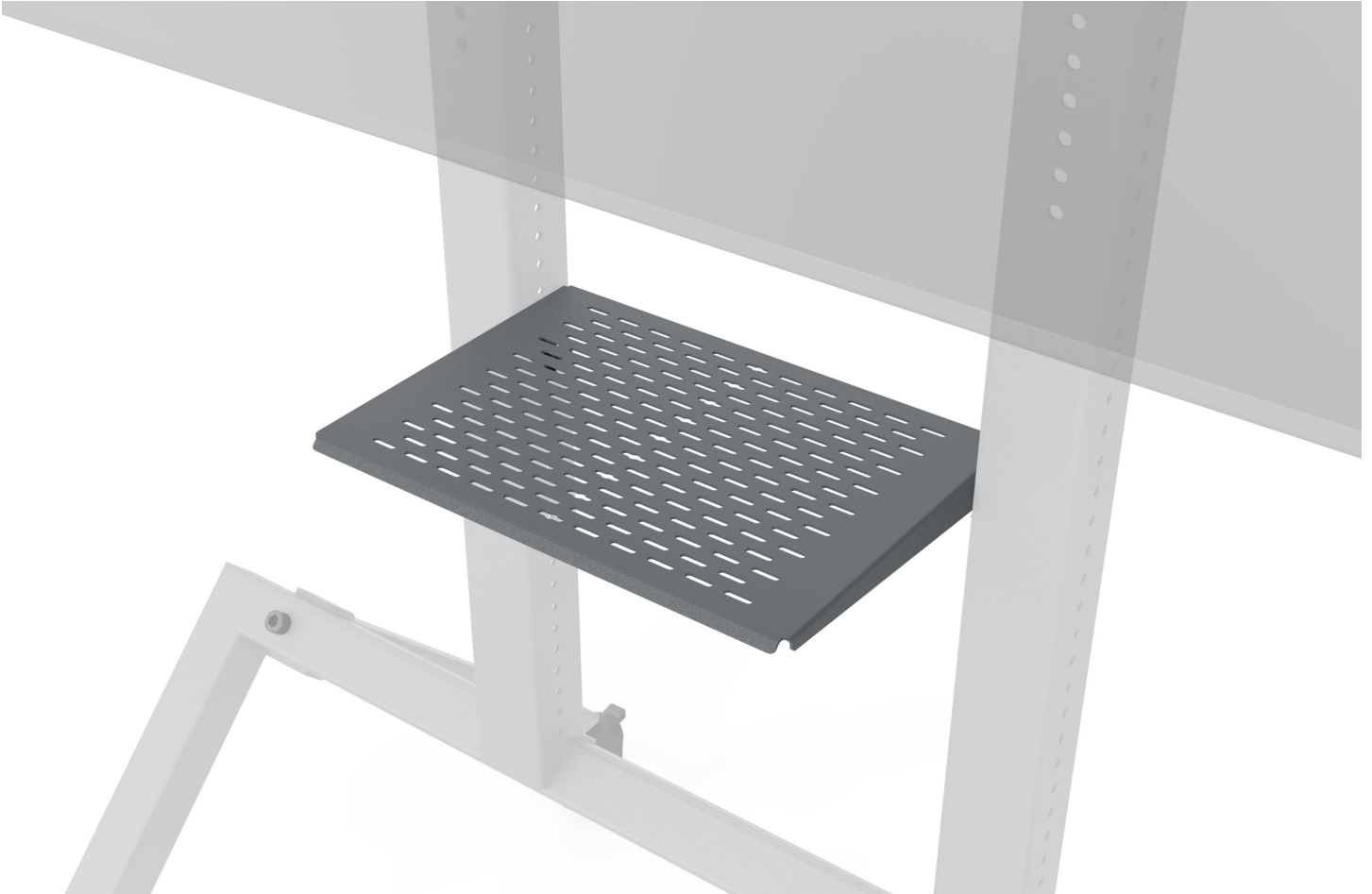


# CONTROL SHELF

H709

for Heckler AV Cart



Mount your cart's control device at the perfect height and angle with Control Shelf. Use this versatile accessory to fix-mount Logitech Tap, Neat Bar, and any other control device with VESA-compatible mounting points.

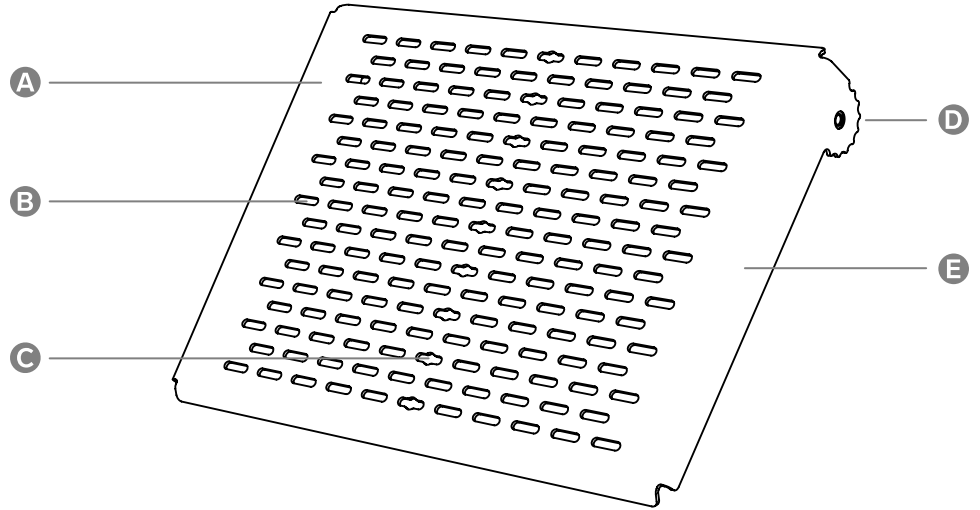
# CONTROL SHELF

H709

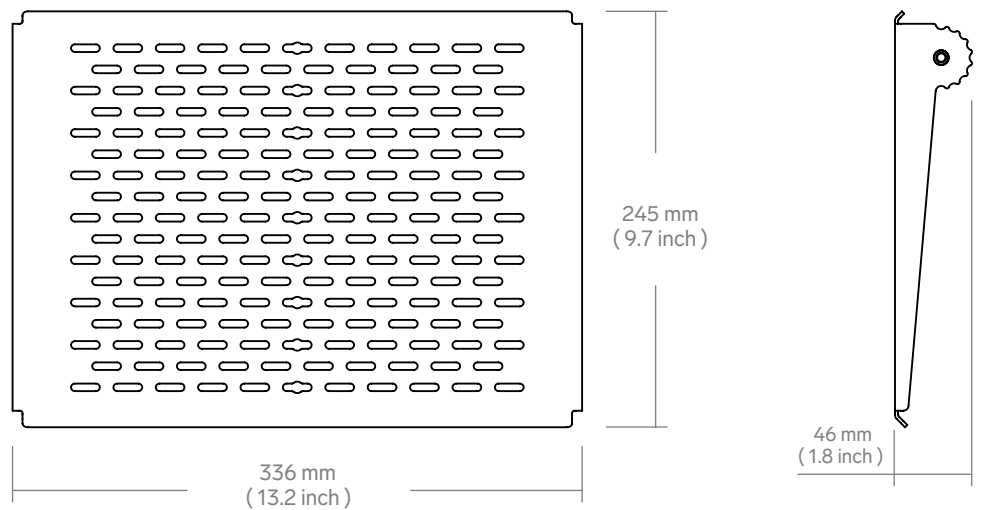
for Heckler AV Cart

## Features

- A** Hold devices to the shelf's top surface magnetically and with hook & loop straps.
- B** VESA-compatible hole pattern. Compatible with M4 screws
- C** Centered 1/4"-20 holes for mounting PTZ and other cameras
- D** Installation angle is selectable during installation. Installs to Heckler AV Cart at angles from horizontal to vertical in 22.5-degree increments
- E** Shelf can be installed with upward-facing edge flanges to keep loose objects in place.



## Dimensions



# CONTROL SHELF

H709

for Heckler AV Cart

---

<b>Specification</b>	<b>Price</b>	\$119
	<b>SKU</b>	H709
	<b>Height</b>	9.7 inches
	<b>Width</b>	13.2 inches
	<b>Depth</b>	1.8 inches
	<b>Weight</b>	2.7 lbs
	<b>Warranty</b>	2 years

---

<b>Colors</b>	<b>Name</b>	<b>SKU</b>
	Black Grey	H709-BG

---

<b>Compatible Devices</b>	<ul style="list-style-type: none"><li>• Logitech Tap (fix mount with installation screws included with Tap)</li><li>• Neat Pad (fix mount with M4 screws included with Tap)</li><li>• Poly TC8</li><li>• Most small notebook computers</li></ul>
---------------------------	--

---

<b>In the Box</b>	Control Shelf for Heckler AV Cart Assembly screws Assembly tool Hook and loop strap
-------------------	--

---

<b>Accessories</b>	H489 - Heckler AV Cart H701 - Dual Display Kit for Heckler AV Cart H702 - Device Panel for Heckler AV Cart H707 - Soundbar Mount for Heckler AV Cart
--------------------	---