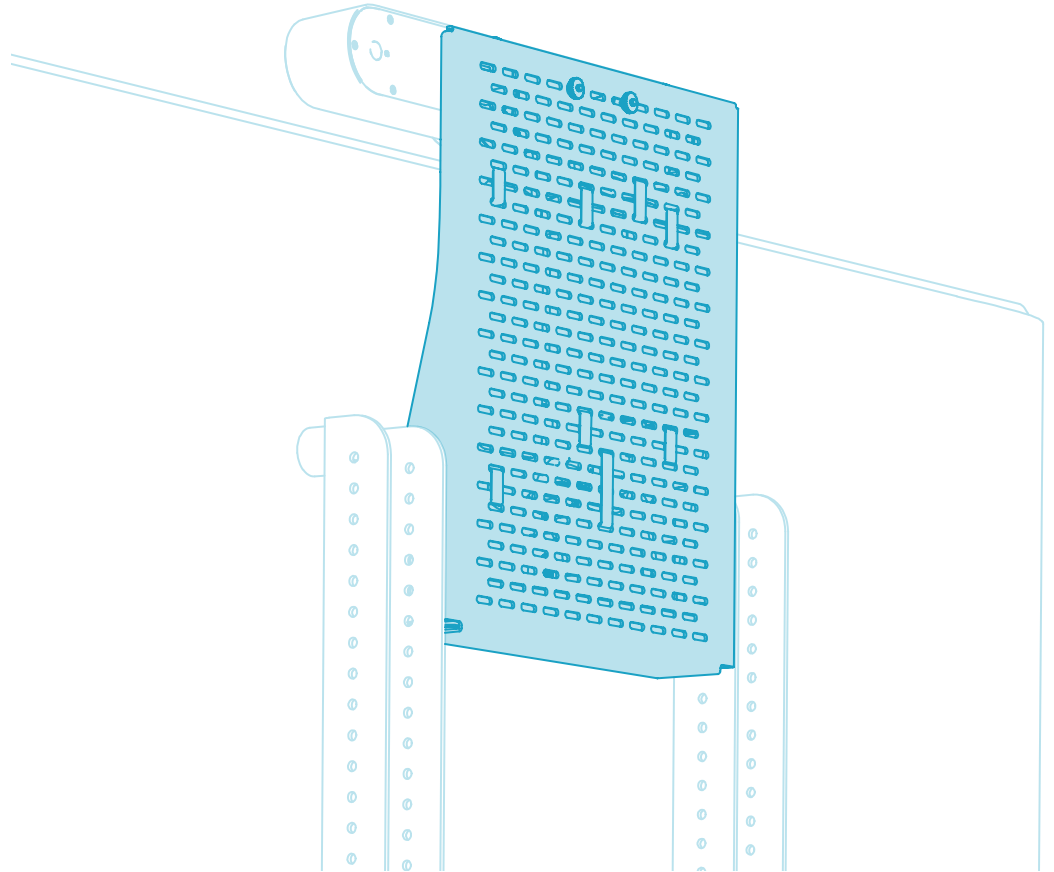


H702 - Device Panel

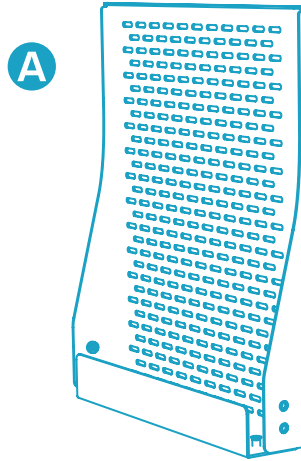
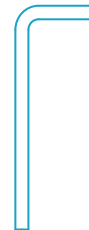
for Heckler AV Cart



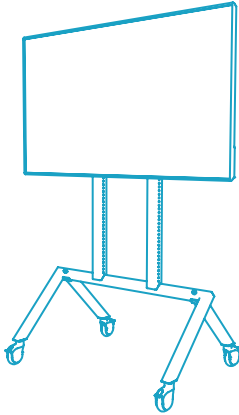
Designed & made in Arizona
Patented

IN THE BOX

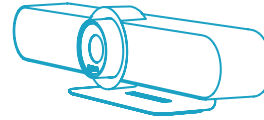
- A** 1 x Device Panel for Heckler AV Cart
- B** 1 x PTZ Camera Adapter
- C** 4 x Cart-mounting screws
- D** 4 x Device-mounting thumb screws
- E** 4 x Device-mounting thumb nuts
- F** 1 x PTZ camera-mounting screws
- G** 1 x PTZ camera-mounting key
- H** 1 x Cart-mounting assembly key
- I** 1 x Velcro for strapping devices. Two feet.

**C****D****E****F****G****H****I**

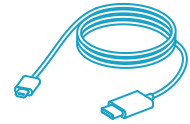
COMPONENTS NEEDED (Not Included)



Heckler AV Cart



Camera, Conference
Cam, or Appliance

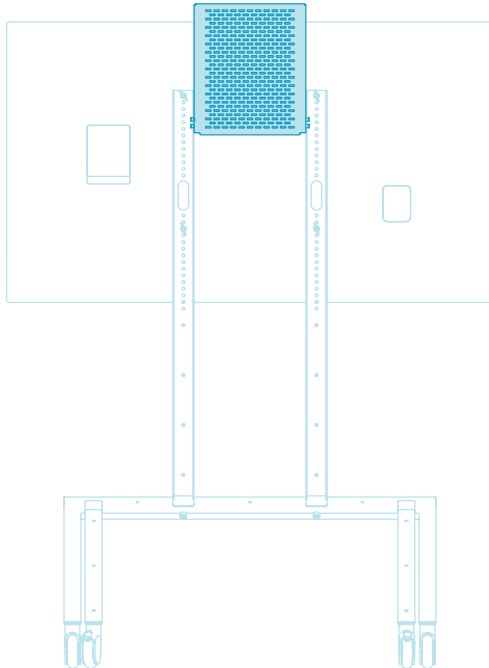


Device cables

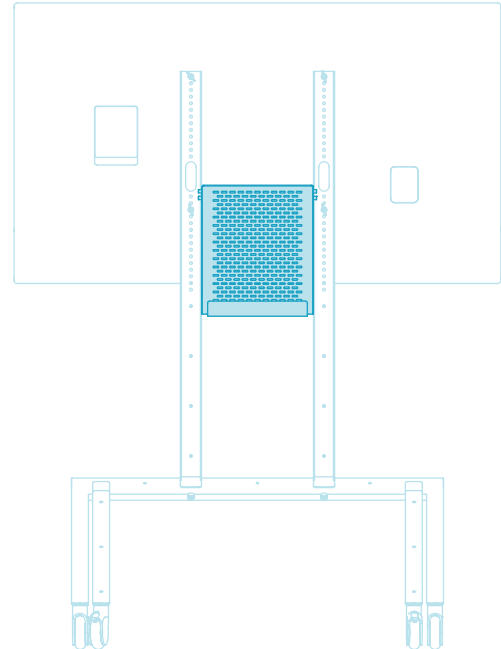
If you have any questions, please contact
service@hecklerdesign.com.

STEP 1

Determine your ideal camera position.

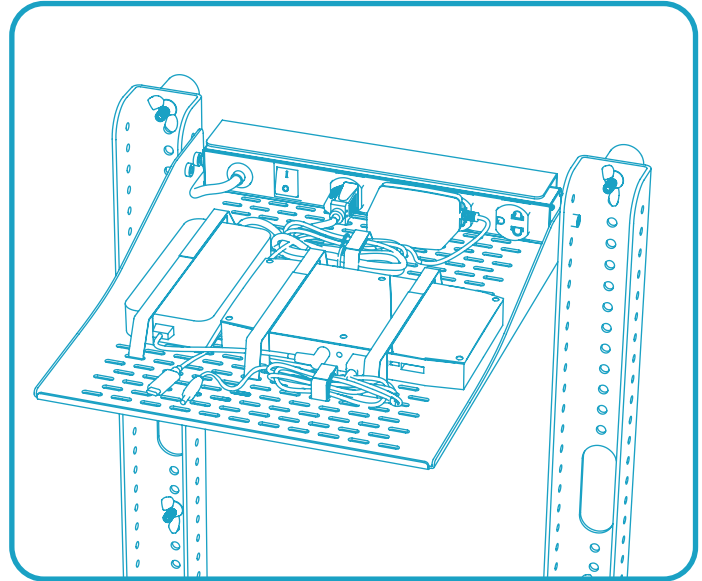
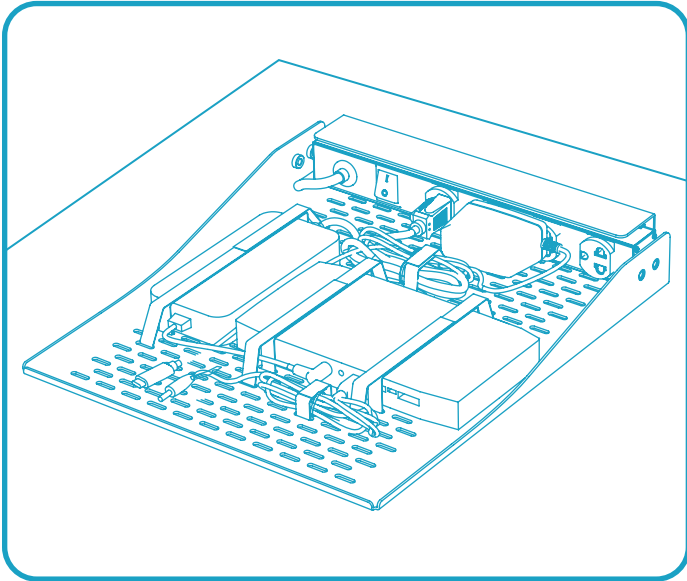


OR



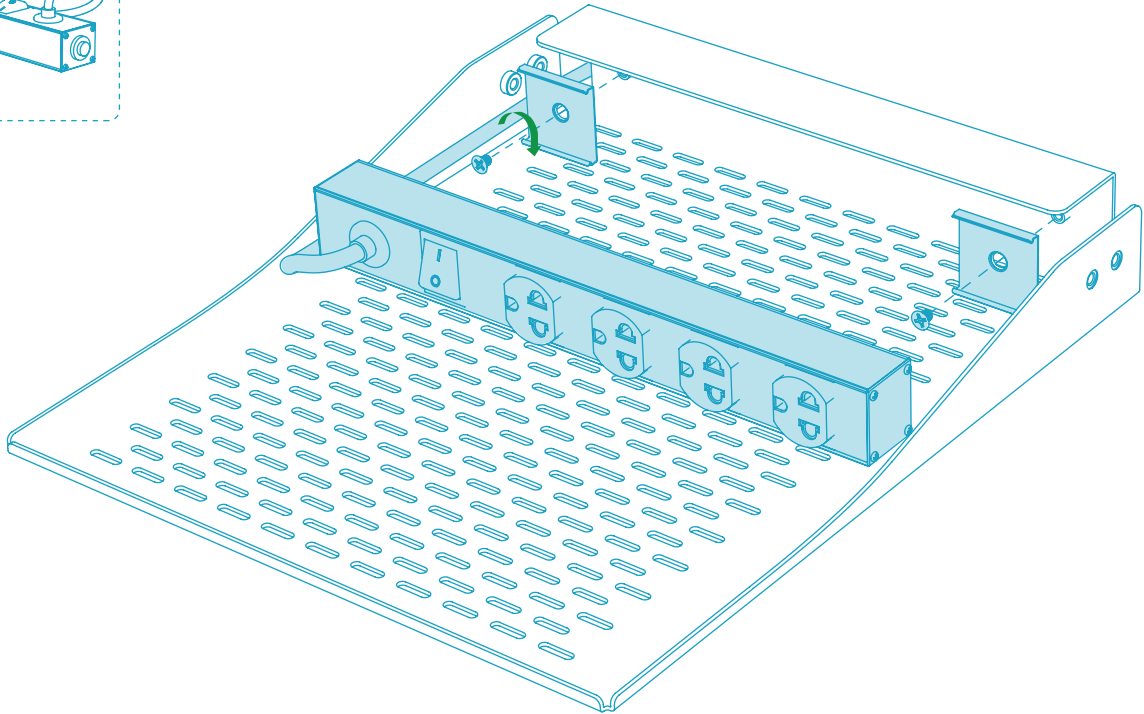
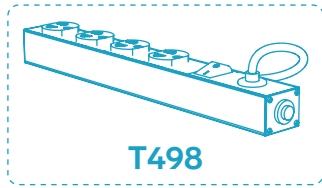
TIP

You can pre-configure devices and wiring to Device Panel from a benchtop or configure in place on Heckler AV Cart.



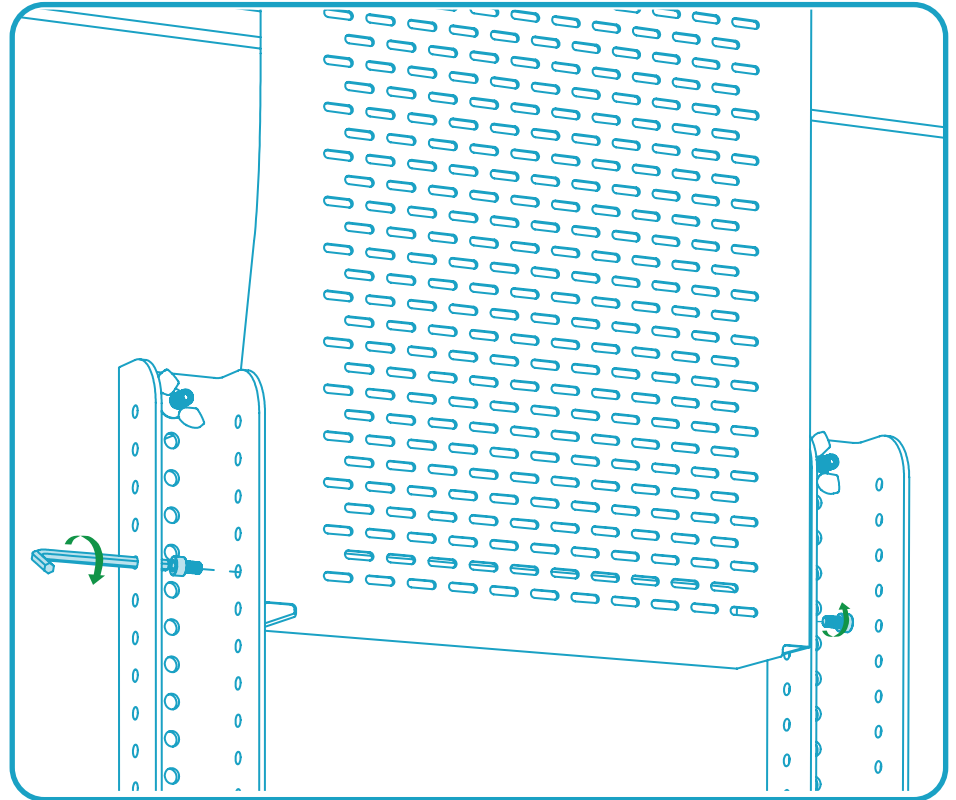
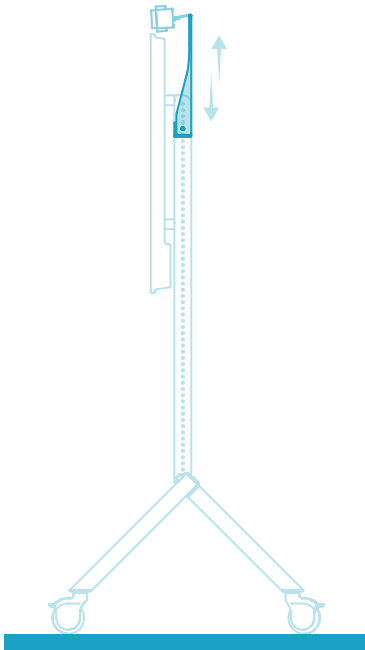
OPTIONAL

Install Tripp-lite power strip (not included).



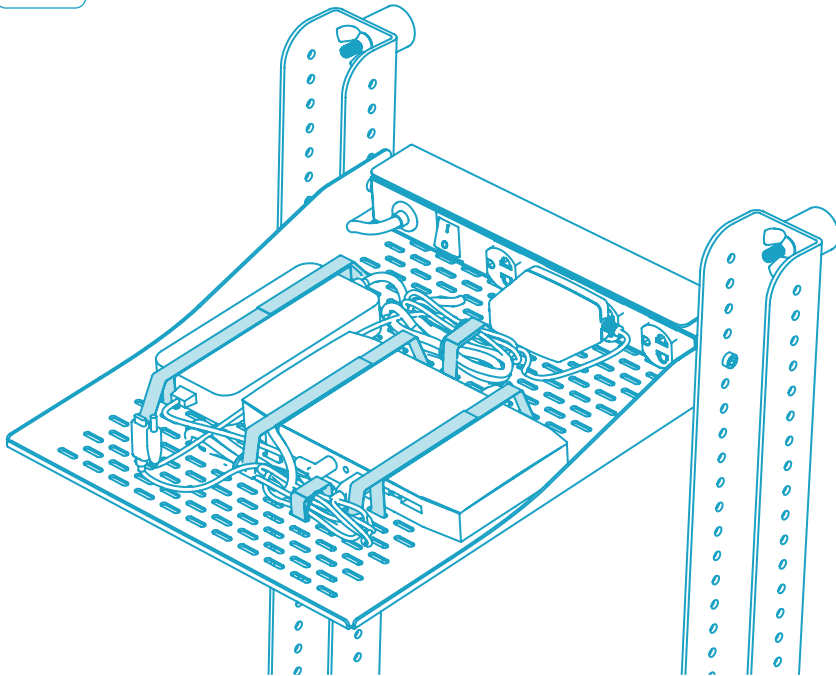
STEP 3

Install Device Panel to Heckler AV Cart.

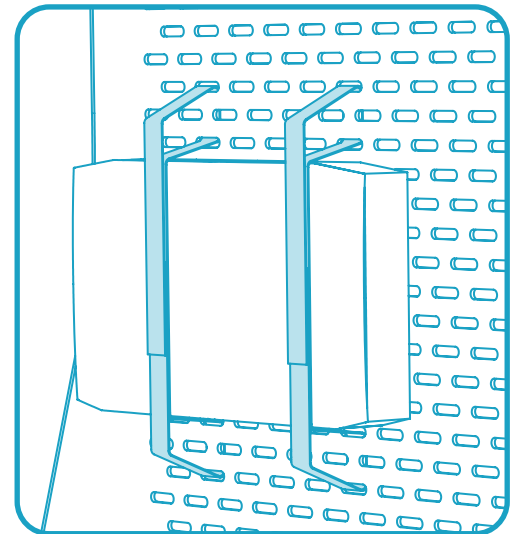


STEP 4

Rotate Device Panel and configure devices

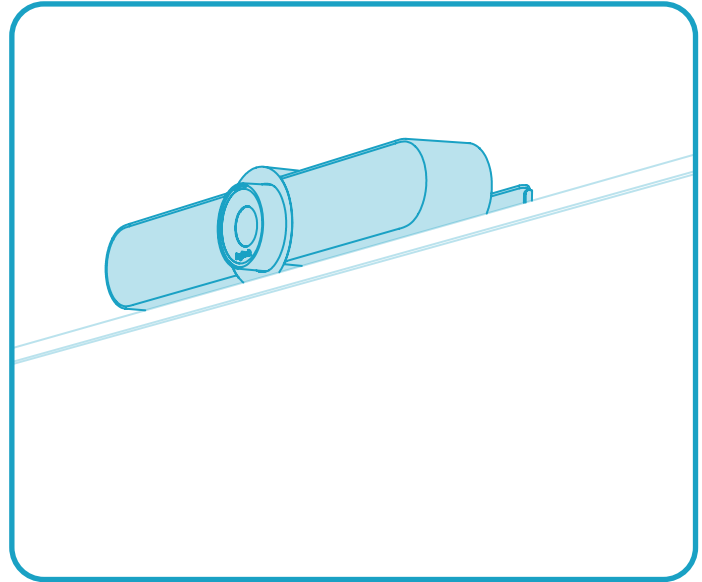
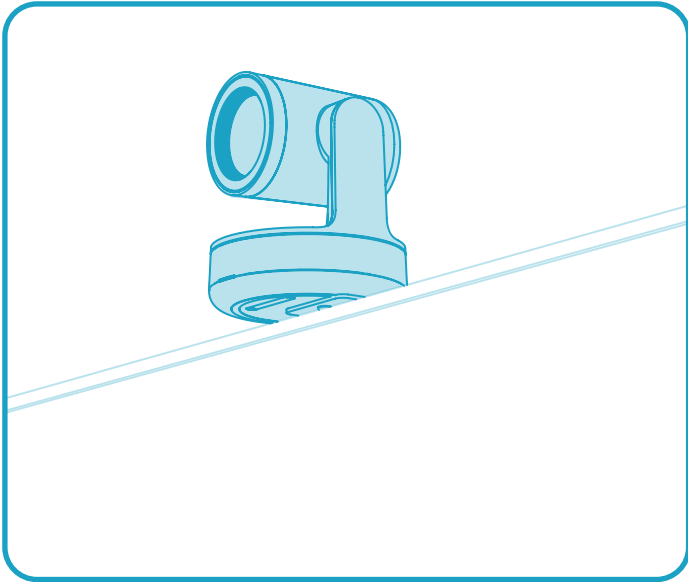


Use the supplied Velcro strap to fasten your devices and cabling to Device Panel.



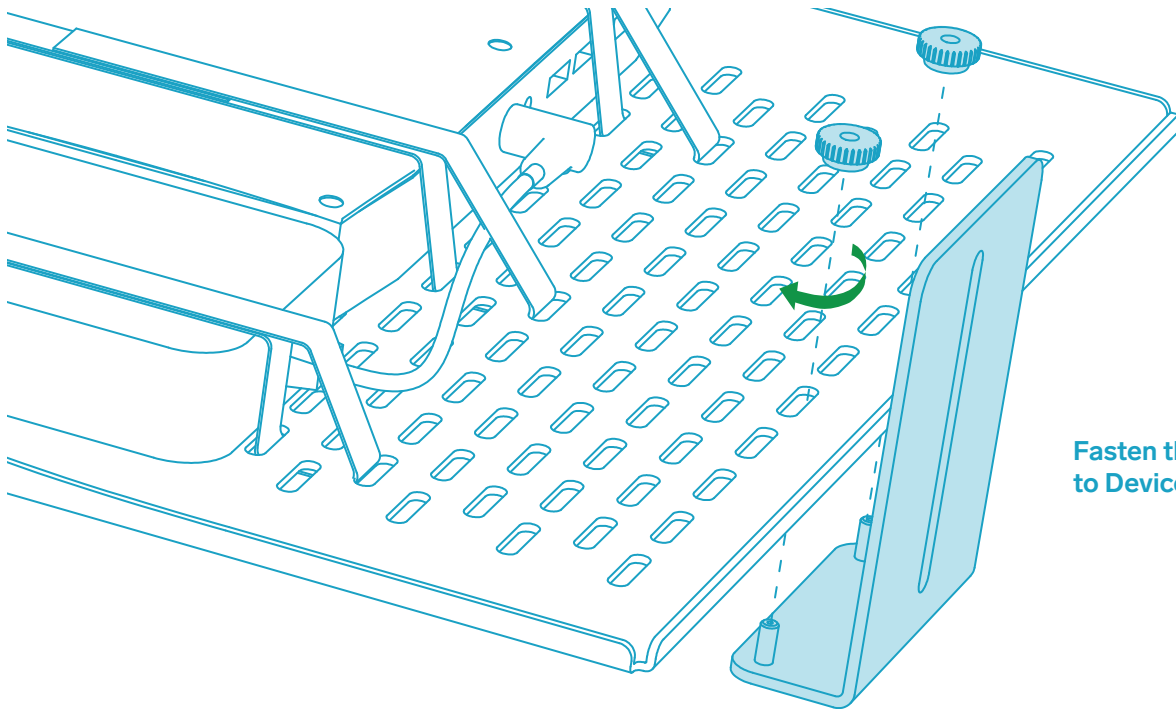
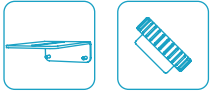
STEP 5

Mounting a PTZ, go to Step 6.
Mounting wall-mount-style
devices, go to Step 8.



STEP 6

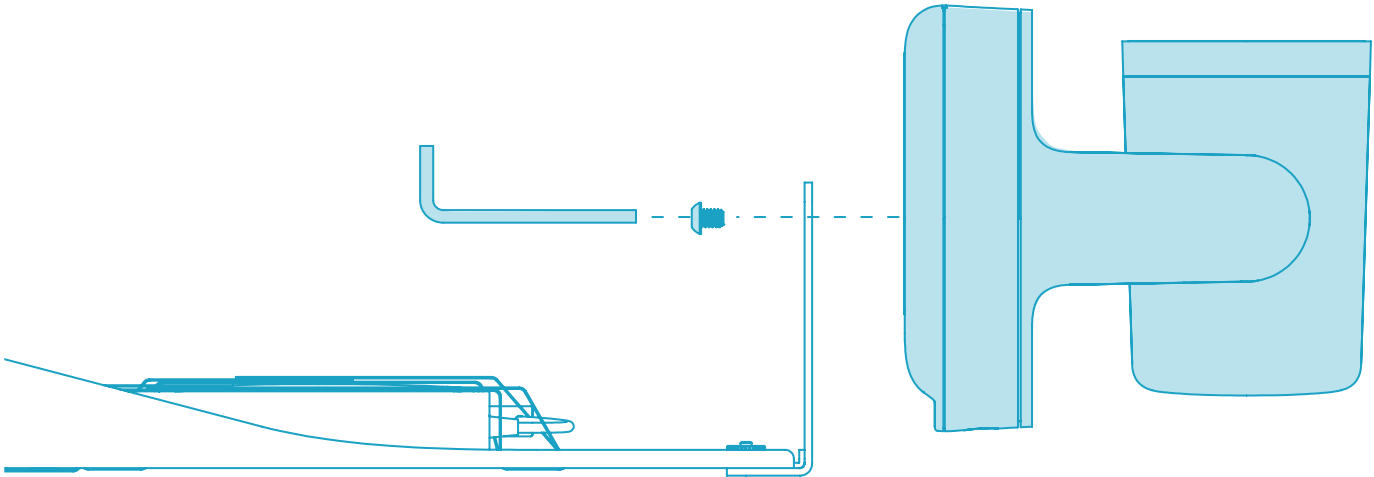
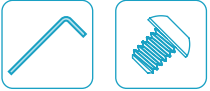
Install PTZ Camera Adapter



Fasten the PTZ Camera Adapter to Device Panel as shown.

STEP 7

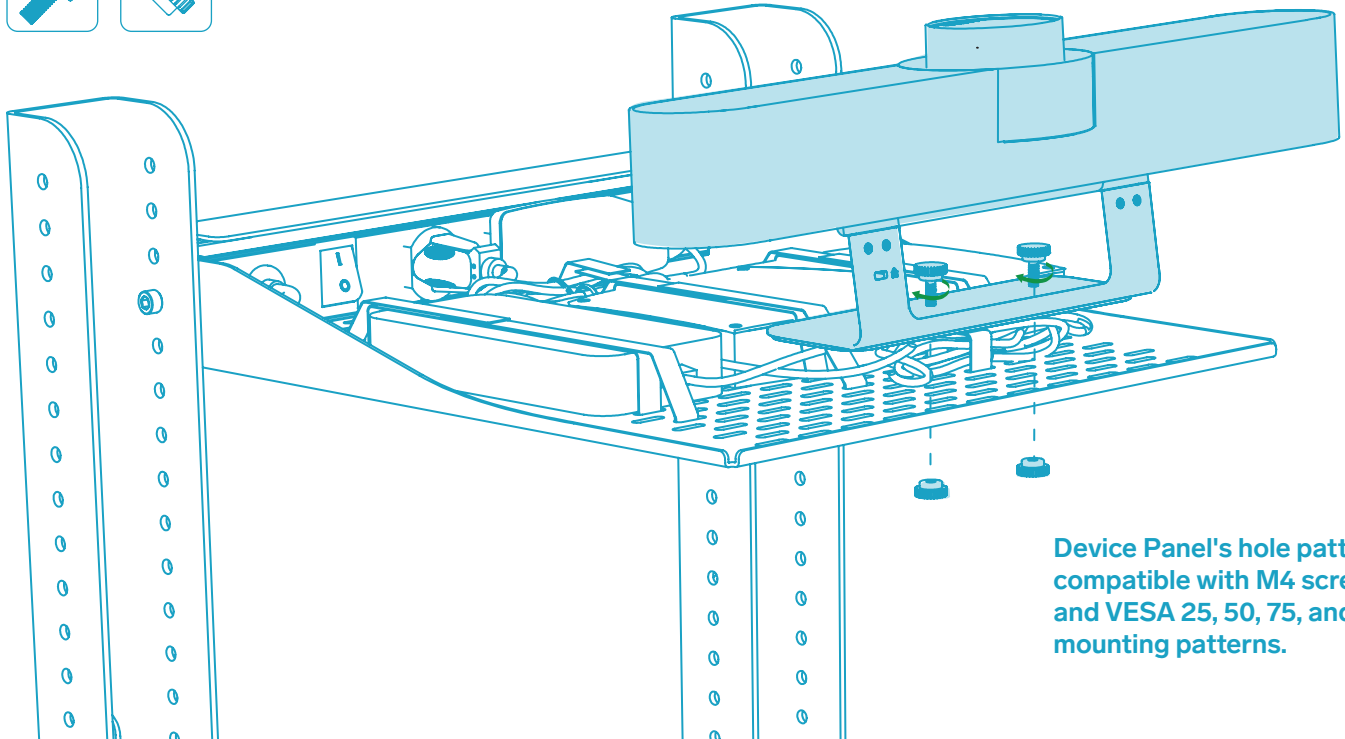
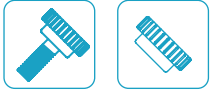
Install PTZ Camera.



Position your PTZ Camera and fasten in place as shown.

STEP 8

Install devices directly to Device Panel.



Device Panel's hole pattern is compatible with M4 screws and VESA 25, 50, 75, and 100 mounting patterns.

STEP 9

Rotate Device Panel back to its vertical position and fasten the remaining two screws.

