

iPad Desk Stand

H620

by Heckler



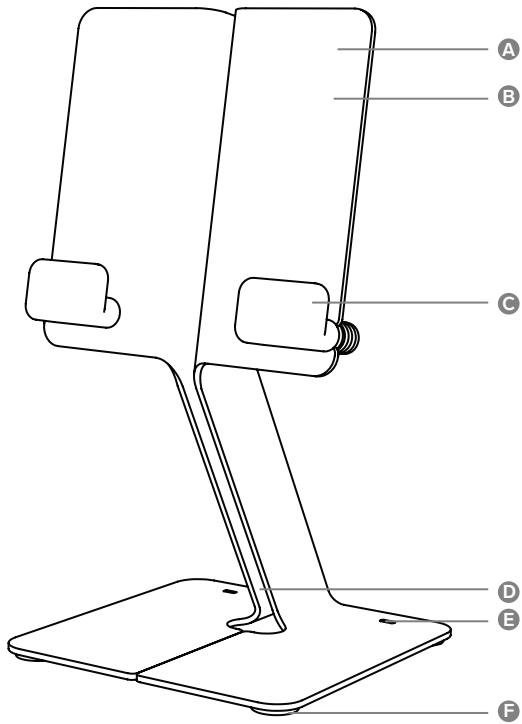
With full trackpad, cursor, and external keyboard support, iPad can now be used to get work done from your desk all day long. You can even participate in comfortable Zoom Meetings and use your iPad as a second display using MacOS Sidecar. All that's required is a tall, stable, ergonomic iPad stand.

iPad Desk Stand

H620

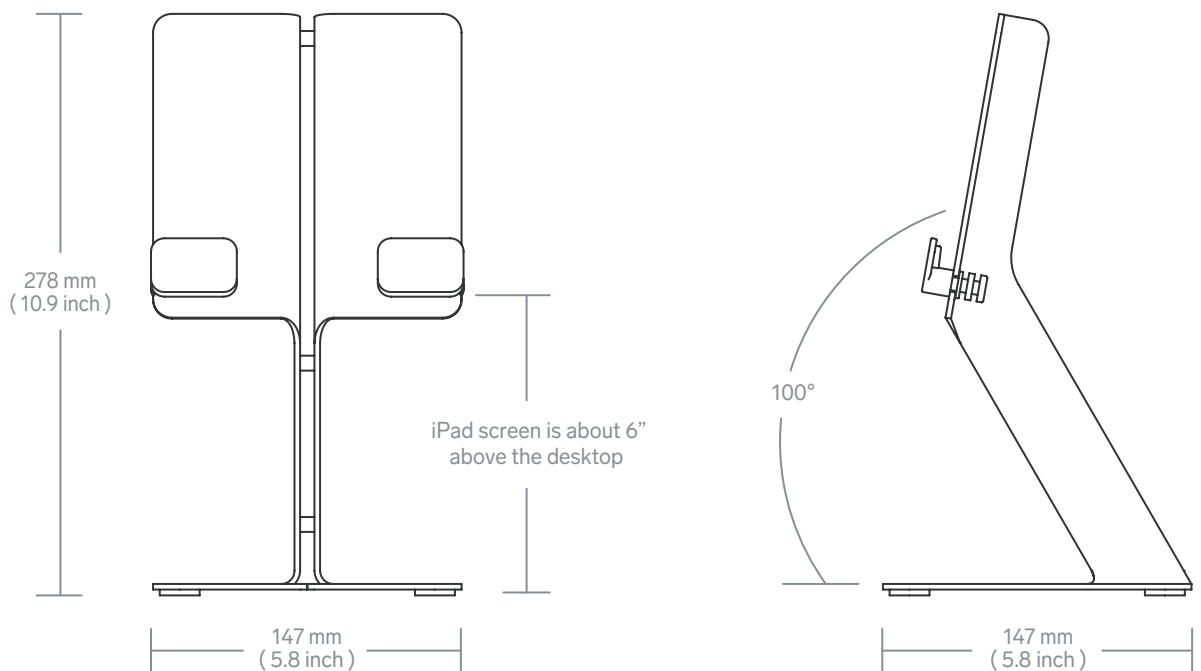
by Heckler

Features



- A Rigid steel construction
 - B Fine-texture powdercoat finish resists scratches and fingerprints
 - C Adjustable resting pegs
 - D Cable pass-through for external keyboard and mouse
 - E Kensington security slots enable stand deployment in public spaces
 - F Sliding felt feet on the base for easy repositioning
-
- Compatible with all iPad devices in or out of a case
 - Supports the iPad in portrait and landscape orientation
 - Ergonomic screen height
 - Creates an eye-line camera height for video meetings
 - Use with Heckler MacBook Stand to create a dual display workstation
 - Designed and built for both commercial and home use
 - Designed & Made in USA

Dimensions



iPad Desk Stand

H620

by Heckler

Specifications

Price	\$89
SKU	H620
Height	10.9 inches
Width	5.8 inches
Depth	5.8 inches
Weight	2.7 lbs
Viewing Angle	10 degrees from vertical
Warranty	2 years

Colors

Name	SKU
Black Grey	H620-BG

Compatible Devices

iPad Pro 12.9-inch Gen 1, 2, 3, 4
iPad Pro 11-inch Gen 1, 2
iPad
iPad Air
iPad mini
Generally compatible with all tablet devices up to 0.7" thick.

In the Box

Heckler iPad Desk Stand

Accessories

F560 - ClickSafe® 2.0 Cable Lock
F714 - NanoSaver™ Keyed Cable Lock