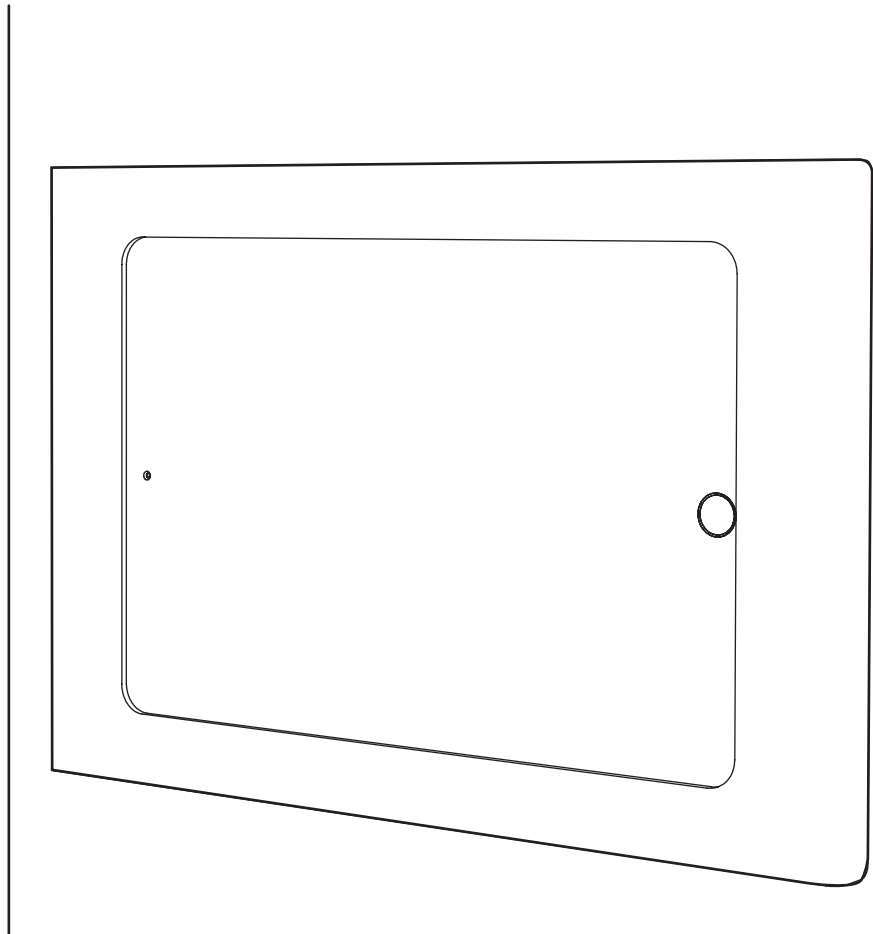


iPad Wall Mount plus PoE Power

Secure Wall Enclosure for iPad 10.2-inch 7th Generation

Assembly & Installation



Compatible with:

iPad 10.2-inch 7th Generation

Limited Warranty

Heckler Design warrants your product to be free from defect in material and workmanship for a period of two years from the original date of purchase. Electronic components are warranted to be free from defect for a period of one year from the original date of purchase. If you discover a defect, please contact service@hecklerdesign.com. Heckler Design will repair, at our discretion, using new or refurbished components. If repair is not possible, Heckler Design will replace the item.

1x



F756



Torx assembly tool

1x



F529



Hex assembly tool

4x



F360

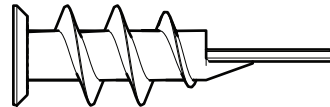


Drywall Mounting Screws

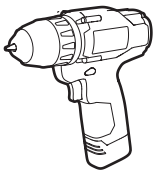
4x



F155



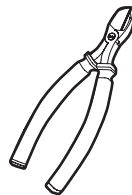
Drywall Mounting Mollys



Drill

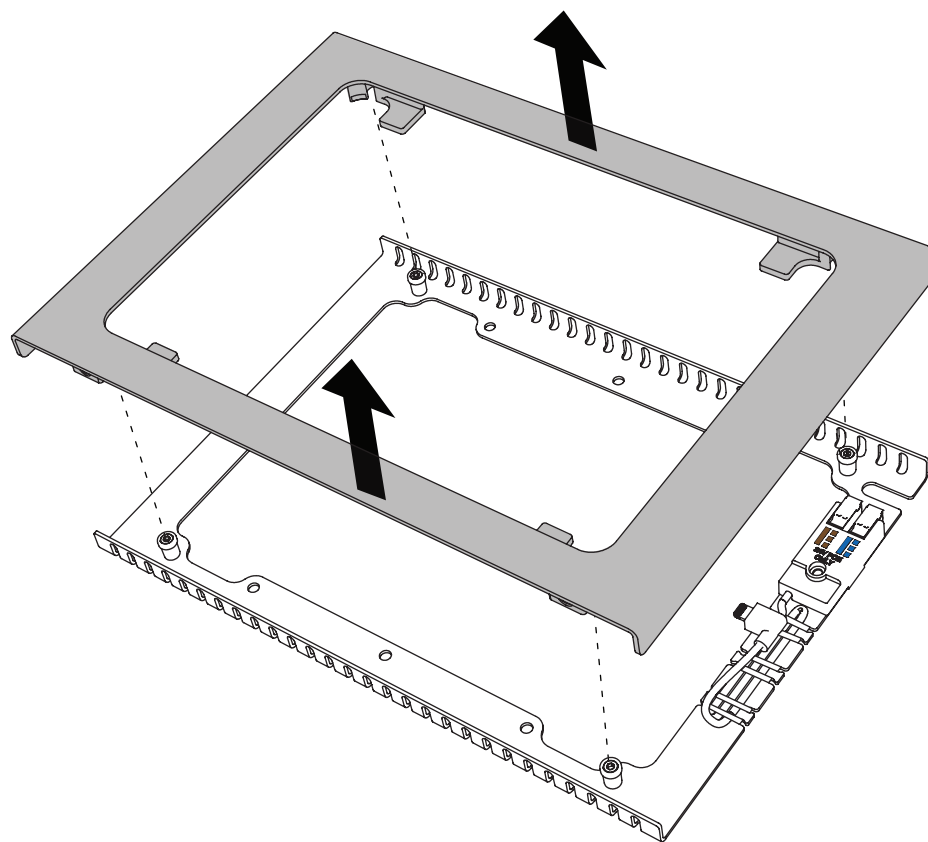


Marker

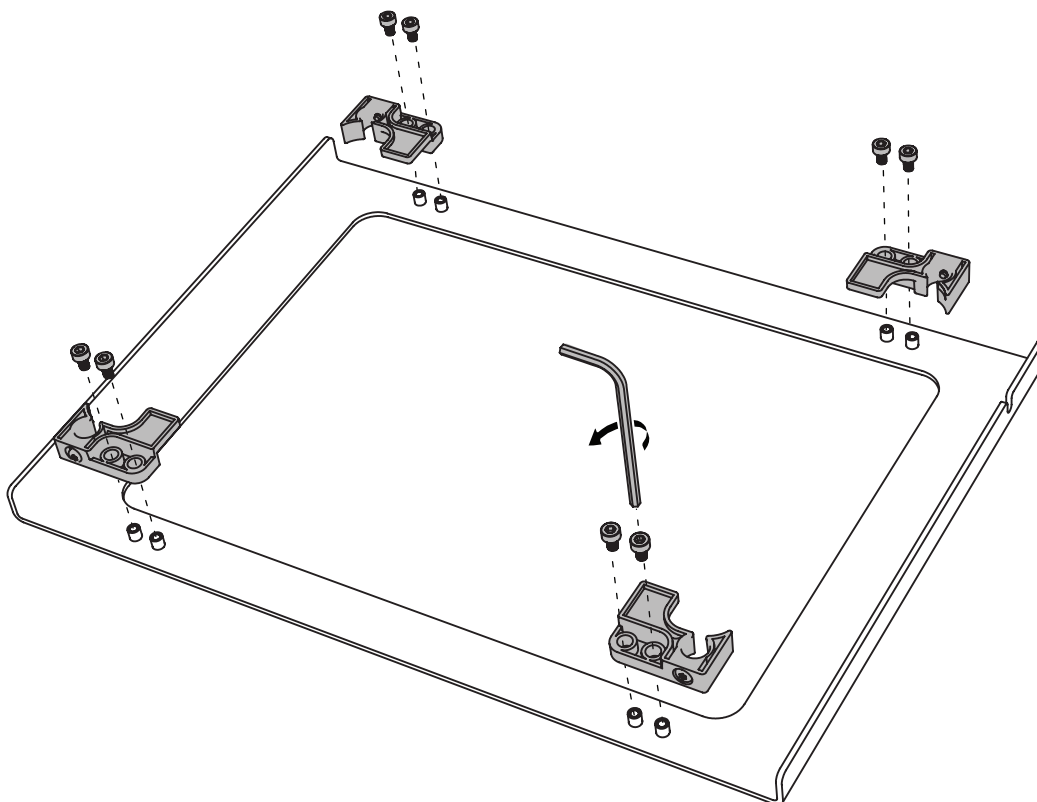


Wire cutter

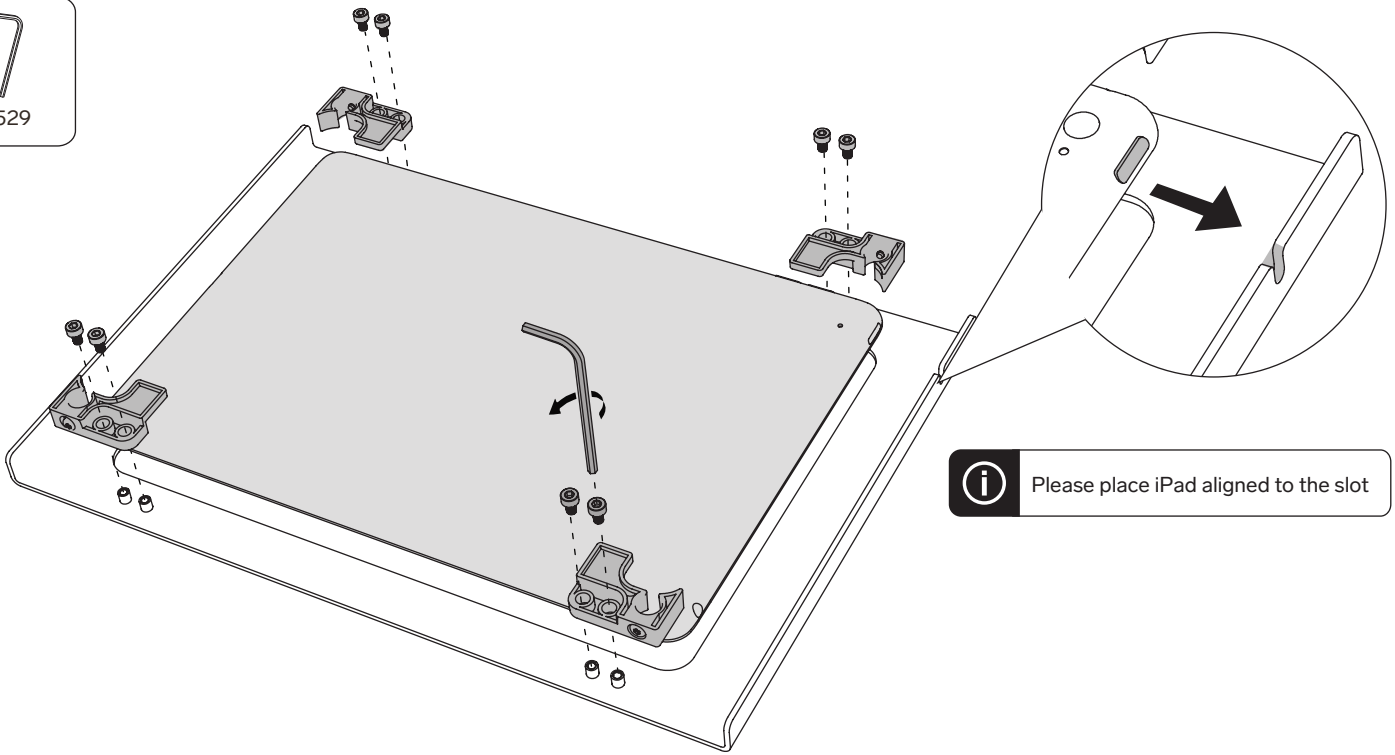
1 Remove front bezel



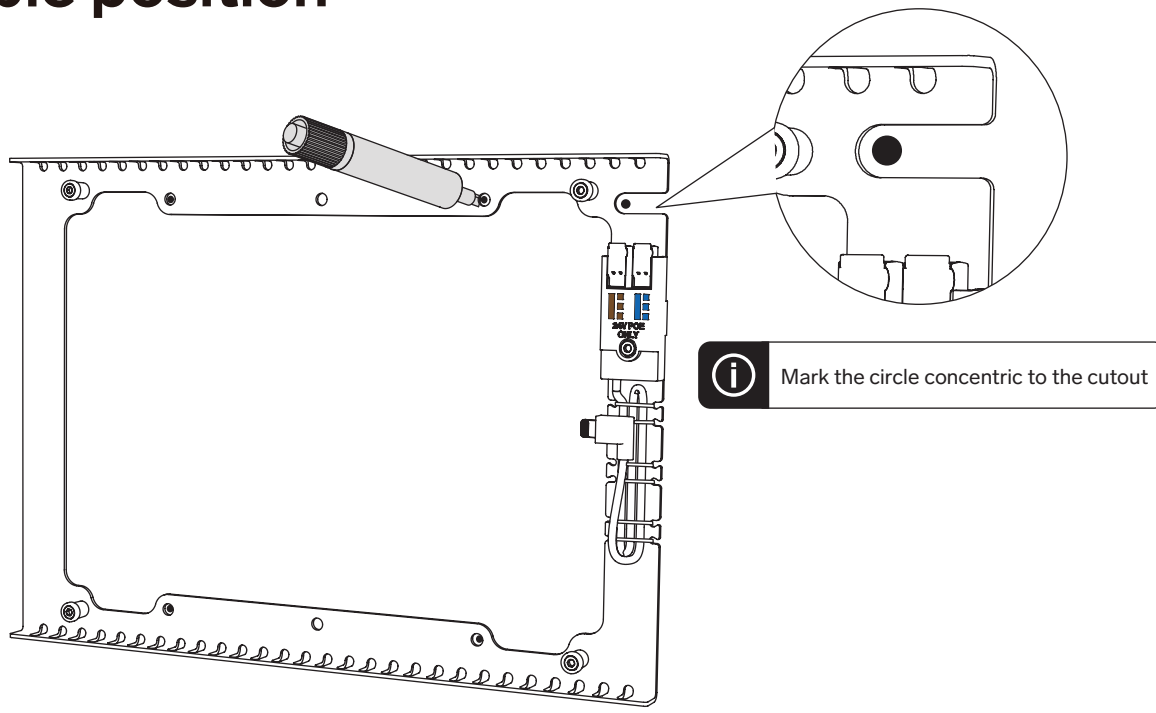
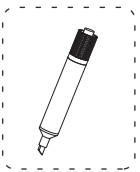
2 Disassemble screws



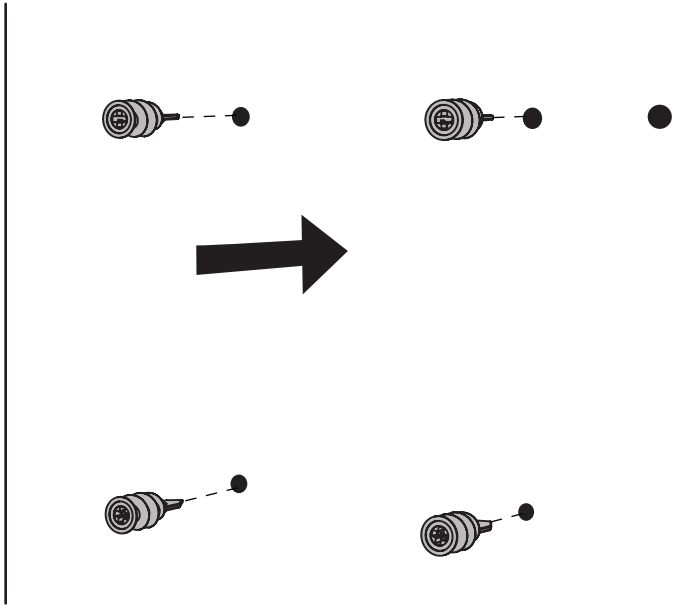
3 Install iPad



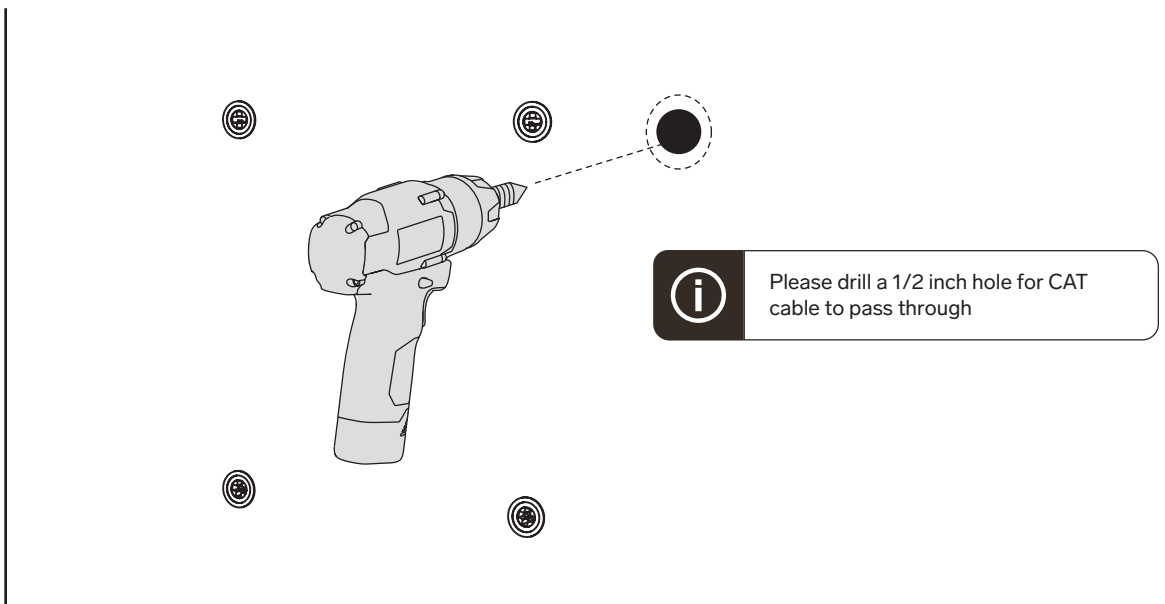
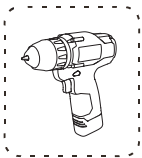
4 Mark four mounting position and CAT cable position



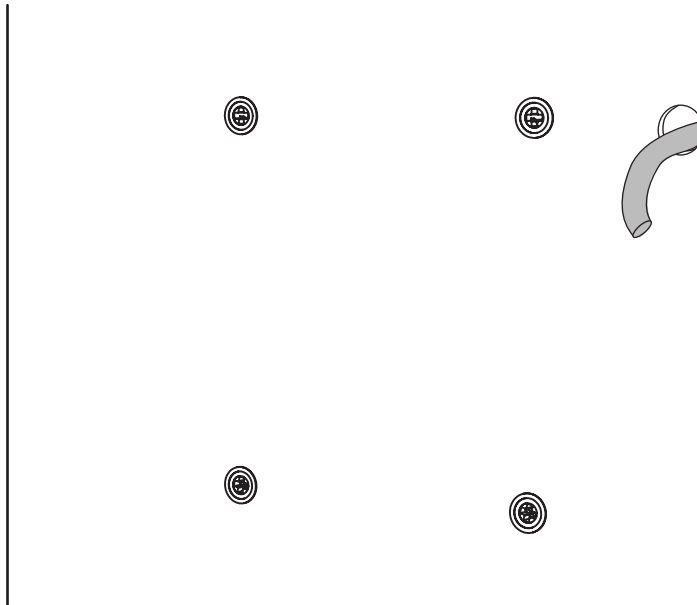
5 Install Drywall Mounting Mollies



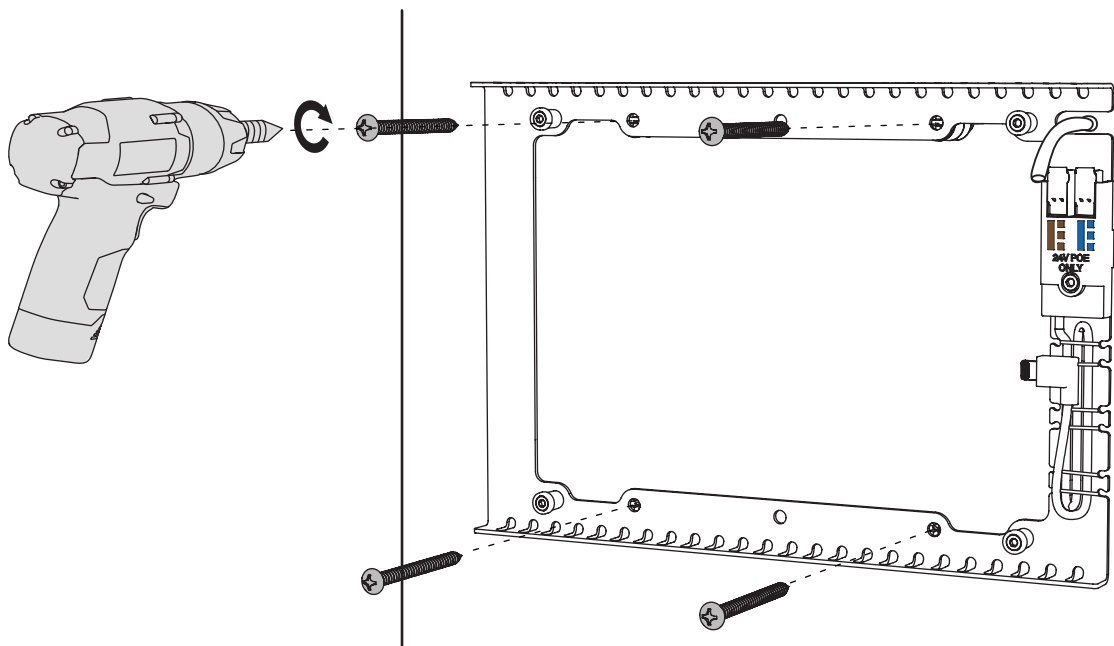
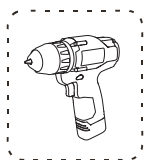
6 Drill CAT cable pass-through hole



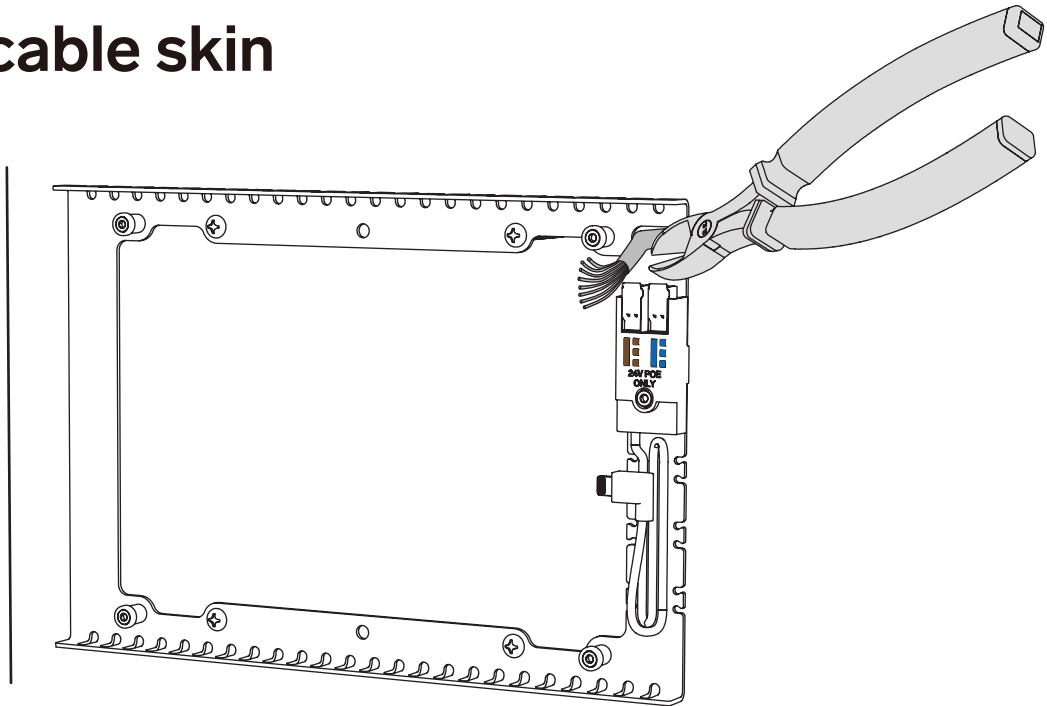
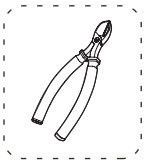
7 Pull out CAT cable



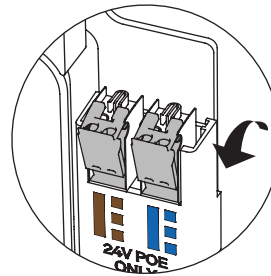
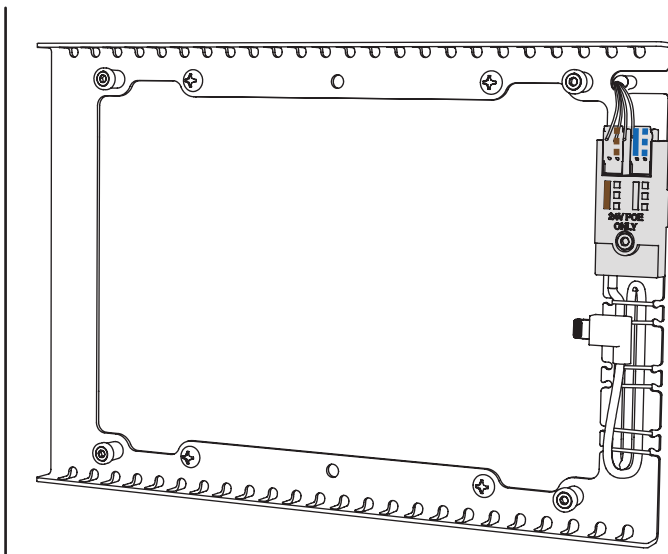
8 Fasten back plate



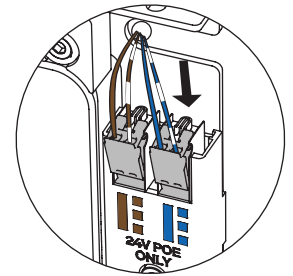
9 Cut out cable skin



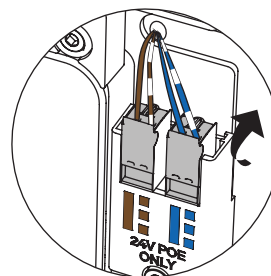
10 Plug four wires into the 24V passive PoE splitter



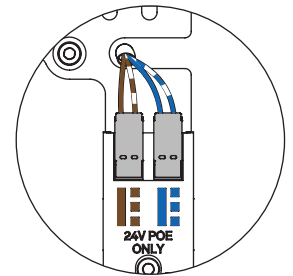
1. Open caps



2. Insert wires



3. Close caps



4. Done

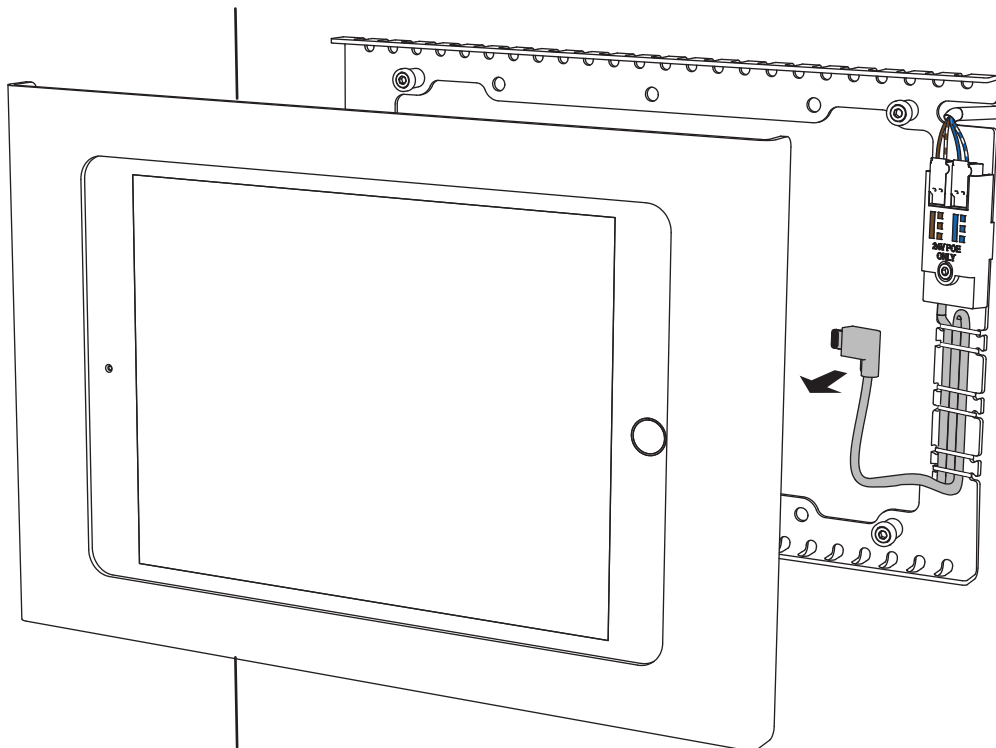


Please match the wire color indicator on the plastic case.

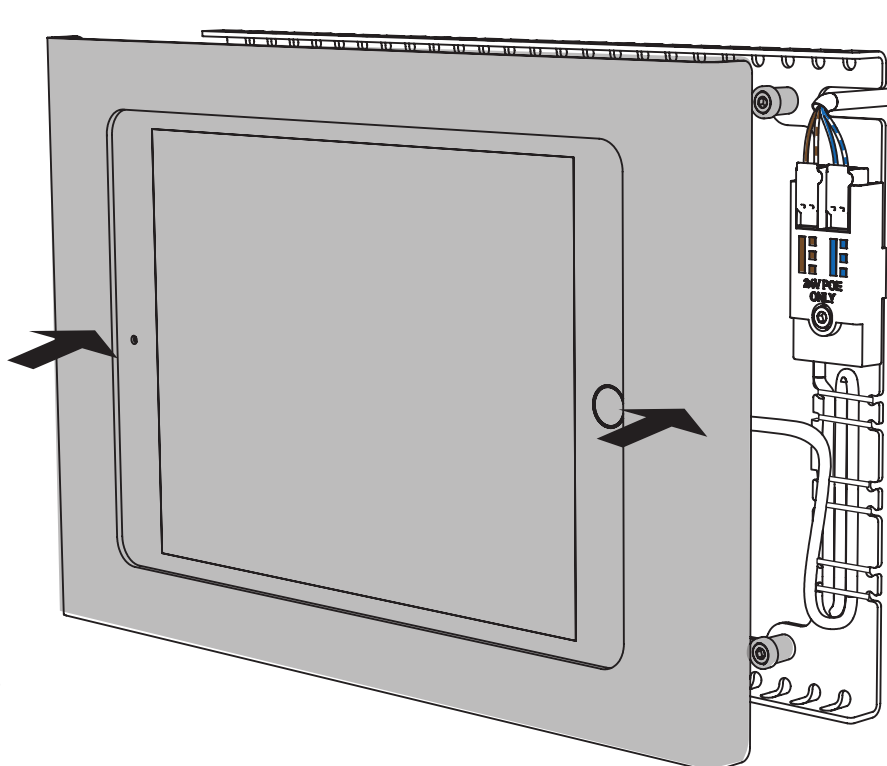


Please only use the 24V PoE injector

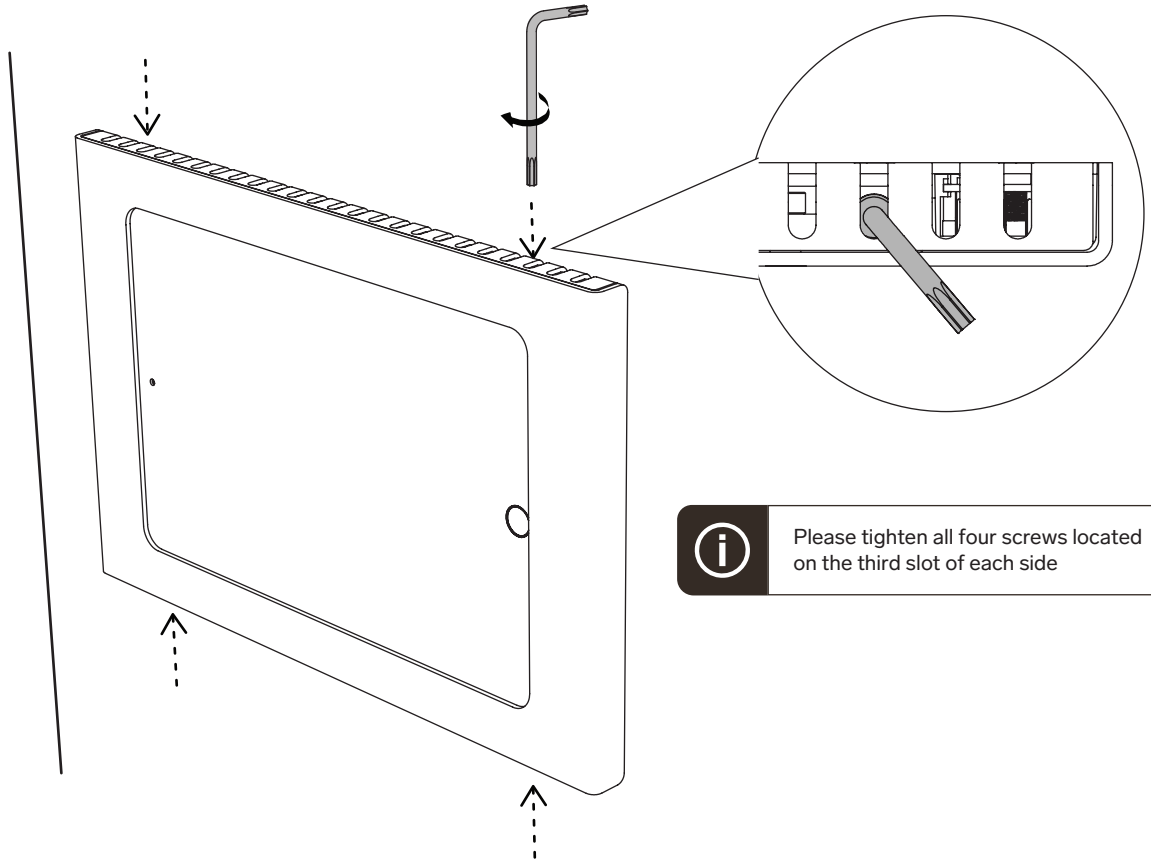
11 Plug in right-angle lightning cable



12 Install front bezel



13 Tighten four screws



i Please tighten all four screws located on the third slot of each side

Tip: Access Sleep/Wake button

