

CHECKOUT STAND

for iPad 10.2-inch 7th Generation



mPOS Stand with Optional iDynamo 5 Support

The ideal iPad Point-of-Sale Stand. We've refined our original, patented WindFall Stand design to include optional iDynamo 5 security, an optional sturdy card-swipe path, and hidden screws.

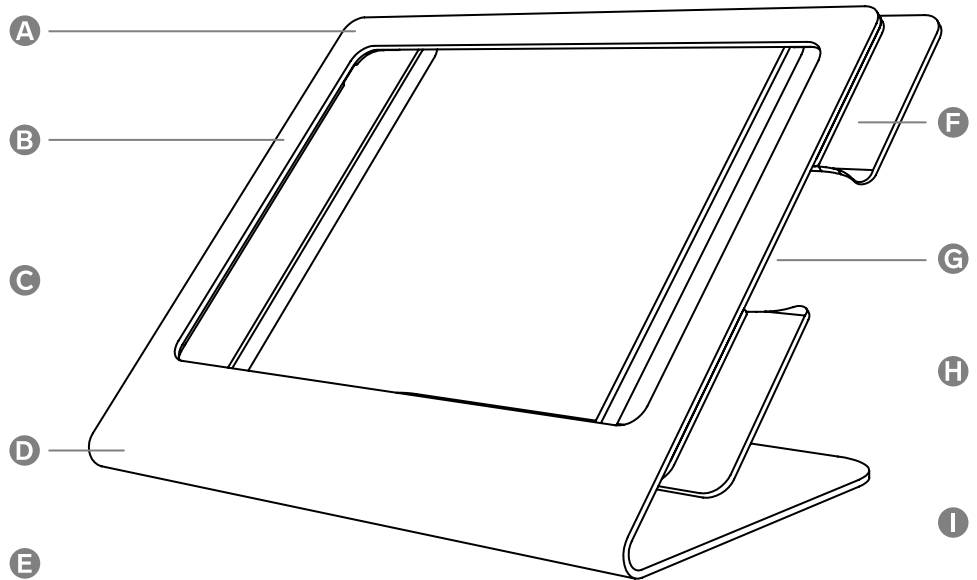
CHECKOUT STAND

H602

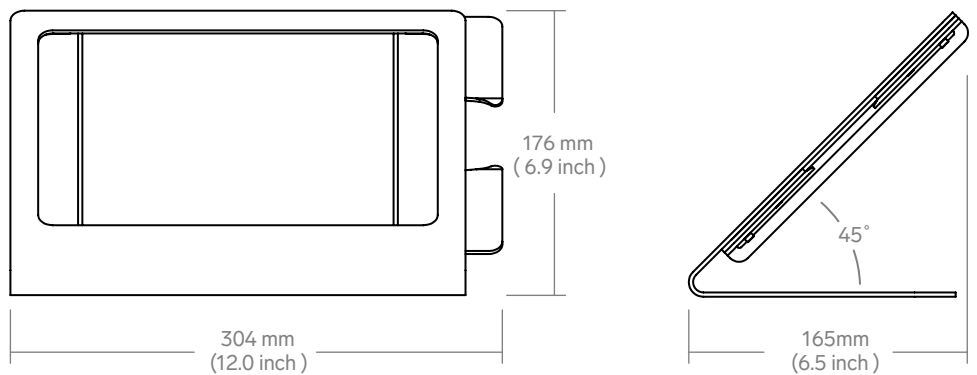
for iPad 10.2-inch 7th Generation

Features

- A Hidden assembly screws
- B Scratch & fingerprint-resistant powdercoat finish
- C Integrated cable security & management
- D Heavy steel construction
- E Counter-mounting holes
- F Long, sturdy card-swipe path (optionally installed)
- G Secures iDynamo 5 card reader
- H Kensington security slot
- I Compatible with Windfall Cash Drawer, External Reader Bracket, PivotTable & PivotTack



Dimensions



CHECKOUT STAND

H602

for iPad 10.2-inch 7th Generation

Specifications

Price	\$129
SKU	H602
Height	6.9 inches
Width	12.0 inches
Depth	6.5 inches
Weight	3.85 lbs
Viewing Angle	45 degrees
Warranty	2 years

Colors

Name	SKU
Black Grey	H602-BG
Grey White	H602-GW

Compatible Devices

iPad 10.2-inch 7th Generation

In the Box

Checkout Stand for iPad 10.2-inch
Tamper-resistant assembly screws
Tamper-resistant assembly tool
Friction feet
Sliding feet

Accessories

F560 - ClickSafe® 2.0 Cable Lock
F714 - NanoSaver™ Keyed Cable Lock
T222 - PivotTable
T223 - PivotTack