



# TABLES AND SINKS

SERVING THE FOOD INDUSTRY SINCE 1951

## STAINLESS STEEL WORKTABLES WITH LEG BRACE AND OPEN BASE



***Utilize your kitchen space with Omcan's All Stainless Steel Worktables!***

Made from durable 18 Gauge 430 stainless steel material, these tables are ideal for kitchen preparation that can hold heavy equipment. Very easy to clean.



Authorized Dealer

# TABLES AND SINKS

24" x 24" x 34" STAINLESS STEEL WORKTABLE

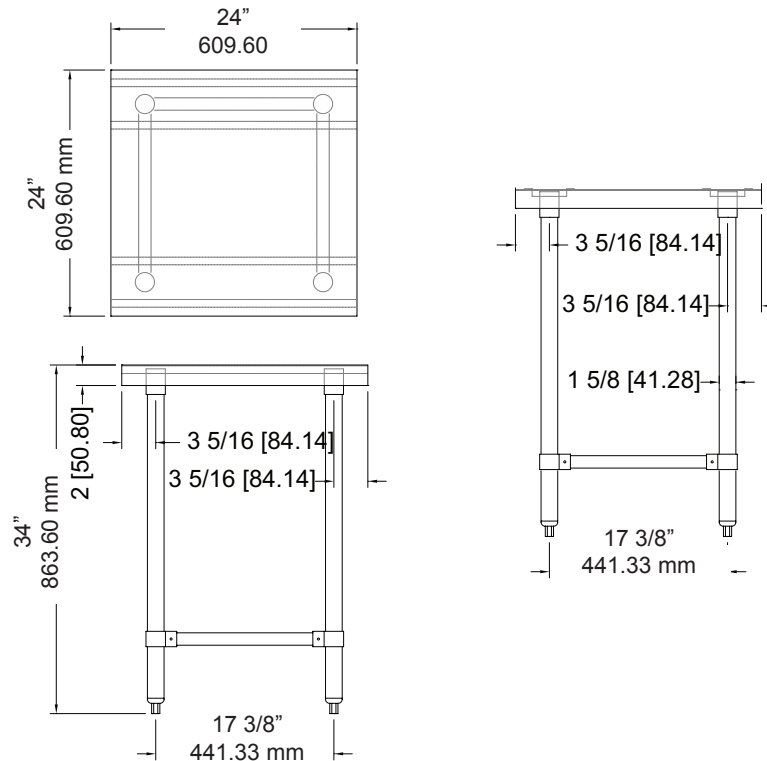


- 18 Gauge. 430 Stainless steel Flat top shelf
- 118 Gauge galvanized hat channel, galvanized leg, and socket galvanized "U" shape leg brace with aluminum socket
- Plastic bullet feet

## TECHNICAL SPECIFICATIONS

ITEM	<b>28628</b>
DESCRIPTION	24"X24" Stainless Steel Worktable
CAPACITY	400 lbs.
OVER-ALL DIMENSIONS (DWH)	24" x 24" x 34" 610 x 610 x 864 mm
GROSS DIMENSIONS	36" x 31" x 4" 914 x 784 x 101 mm
GROSS WEIGHT	37 lbs.

## TECHNICAL DRAWINGS WITH DETAILED DIMENSIONS



## OMCAN INC.

Telephone: 1-800-465-0234  
 Fax: (905) 607-0234  
 Email: sales@omcan.com  
 Website: www.omcan.com



Follow us to keep up to date with the latest news and offers



# TABLES AND SINKS

24" x 30" x 34" ALL STAINLESS STEEL WORKTABLE

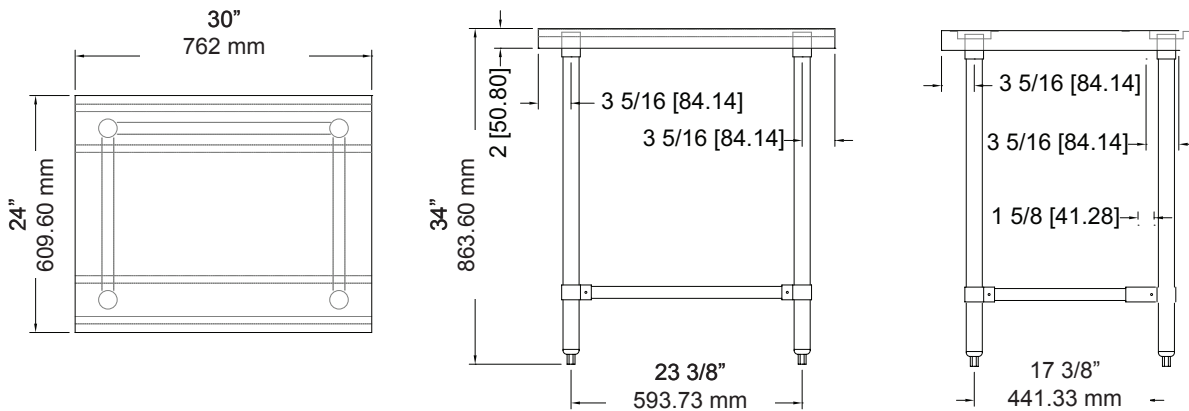


- 18 Gauge. 430 Stainless steel Flat top shelf
- 118 Gauge galvanized hat channel, galvanized leg and socket galvanized "U" shape leg brace with aluminum socket
- Plastic bullet feet

## TECHNICAL SPECIFICATIONS

ITEM	<b>28629</b>
DESCRIPTION	24"X30" Stainless Steel Worktable
CAPACITY	450 lbs.
OVER-ALL DIMENSIONS (DWH)	24" x 30" x 34" 609.6 x 726 x 863.6 mm
GROSS DIMENSIONS	36" x 31" x 3" 914 x 784 x 76.2 mm
GROSS WEIGHT	42 lbs.

## TECHNICAL DRAWINGS WITH DETAILED DIMENSIONS



## OMCAN INC.

Telephone: 1-800-465-0234  
 Fax: (905) 607-0234  
 Email: sales@omcan.com  
 Website: www.omcan.com



Follow us to keep up to date with the latest news and offers



# TABLES AND SINKS

24" x 36" x 34" ALL STAINLESS STEEL WORKTABLE

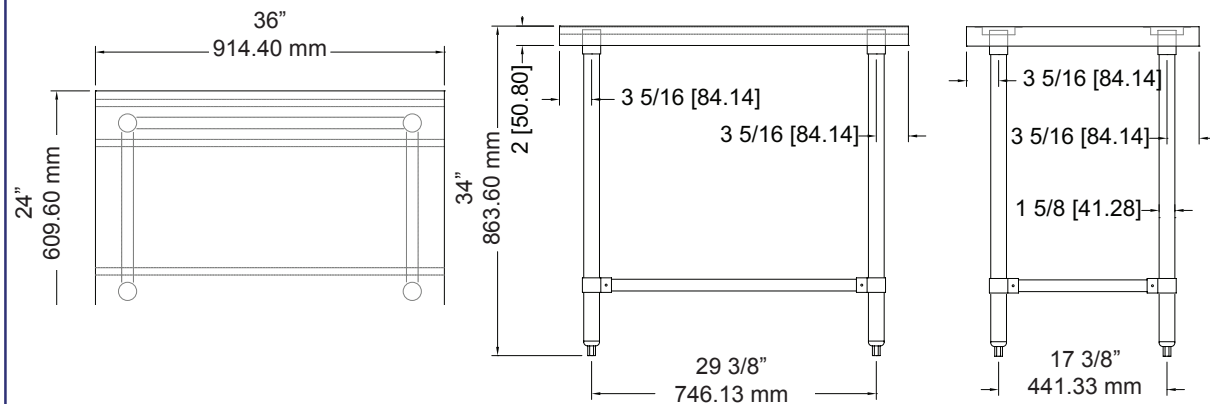


- 18 Gauge. 430 Stainless steel Flat top shelf
- 118 Gauge galvanized hat channel, galvanized leg and socket galvanized "U" shape leg brace with aluminum socket
- Plastic bullet feet

## TECHNICAL SPECIFICATIONS

ITEM	<b>28630</b>
DESCRIPTION	24"X36" Stainless Steel Worktable
CAPACITY	500 lbs.
OVER-ALL DIMENSIONS (DWH)	24" x 36" x 34" 609.6 x 914.4x 863.6 mm
GROSS DIMENSIONS	38" x 31" x 3" 965.2 x 784 x 76.2 mm
GROSS WEIGHT	47 lbs.

## TECHNICAL DRAWINGS WITH DETAILED DIMENSIONS



## OMCAN INC.

Telephone: 1-800-465-0234  
 Fax: (905) 607-0234  
 Email: sales@omcan.com  
 Website: www.omcan.com



Follow us to keep up to date with the latest news and offers



2018.E.O.E

# TABLES AND SINKS

24" x 48" x 34" STAINLESS STEEL WORKTABLE

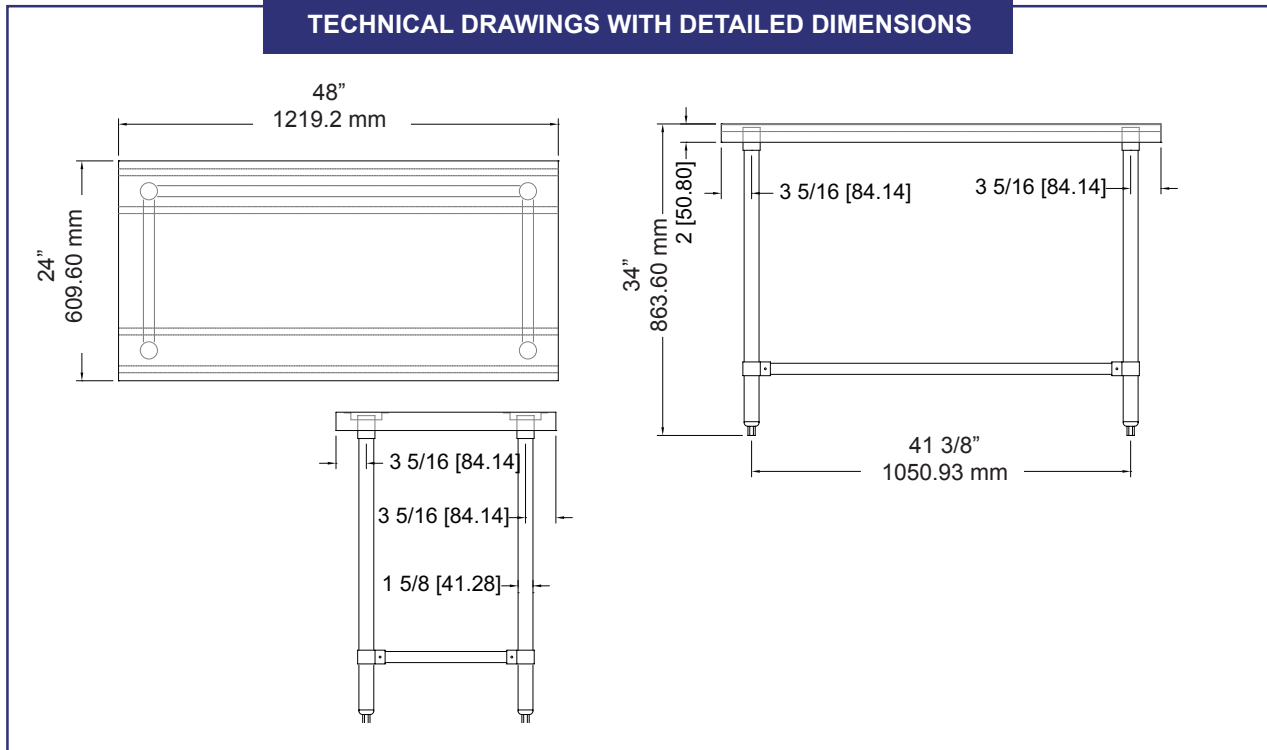


- 18 Gauge. 430 Stainless steel Flat top shelf
- 118 Gauge galvanized hat channel, galvanized leg and socket galvanized, "U" shape leg brace with aluminum socket
- Plastic bullet feet

## TECHNICAL SPECIFICATIONS

ITEM	<b>28631</b>
DESCRIPTION	24"X48" Stainless Steel Worktable
CAPACITY	600 lbs.
OVER-ALL DIMENSIONS (DWH)	24" x 48" x 34" 609.6 x 1219.2 x 863.6 mm
GROSS DIMENSIONS	49" x 26" x 3" 1244.6 x 660.4 x 76.2 mm
GROSS WEIGHT	47 lbs.

## TECHNICAL DRAWINGS WITH DETAILED DIMENSIONS



## OMCAN INC.

Telephone: 1-800-465-0234

Fax: (905) 607-0234

Email: [sales@omcan.com](mailto:sales@omcan.com)

Website: [www.omcan.com](http://www.omcan.com)



Follow us to keep up to date with the latest news and offers



2018.E.O.E

# TABLES AND SINKS

24" x 60" x 34" STAINLESS STEEL WORKTABLE

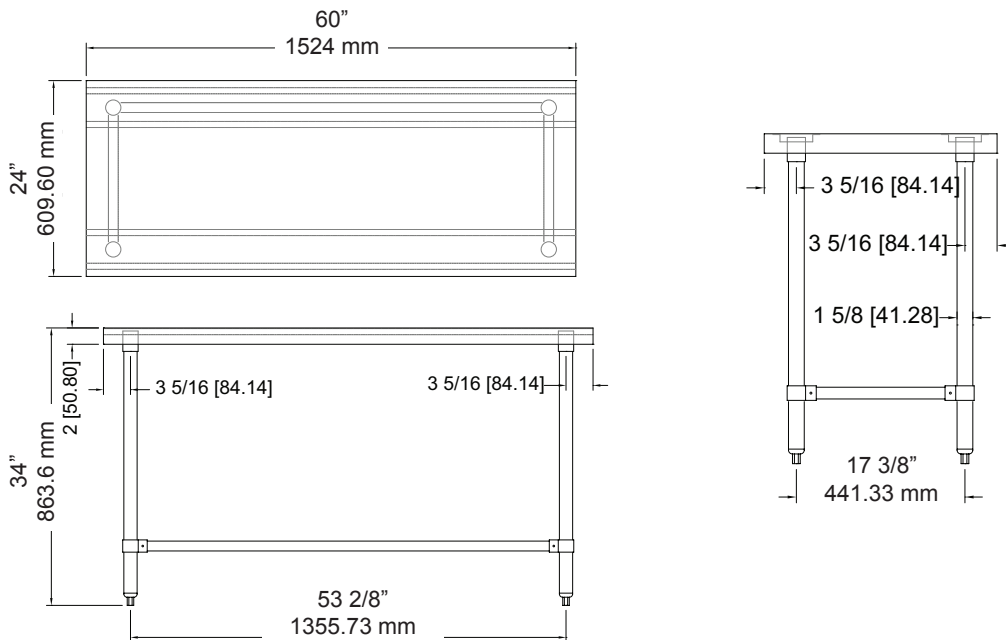


- 18 Gauge. 430 Stainless steel Flat top shelf
- 118 Gauge galvanized hat channel, galvanized leg and socket, galvanized "U" shape leg brace with aluminum socket
- Plastic bullet feet

## TECHNICAL SPECIFICATIONS

ITEM	<b>28632</b>
DESCRIPTION	24"x60" Stainless Steel Worktable
CAPACITY	700 lbs.
OVER-ALL DIMENSIONS (DWH)	24" x 60" x 34" 609.6 x 1524 x 863.6 mm
GROSS DIMENSIONS	62" x 26" x 3" 1574.8 x 660.4 x 76.2 mm
GROSS WEIGHT	54 lbs.

## TECHNICAL DRAWINGS WITH DETAILED DIMENSIONS



## OMCAN INC.

Telephone: 1-800-465-0234  
 Fax: (905) 607-0234  
 Email: sales@omcan.com  
 Website: www.omcan.com



Follow us to keep up to date with the latest news and offers



# TABLES AND SINKS

30" x 48" x 34" STAINLESS STEEL WORKTABLE

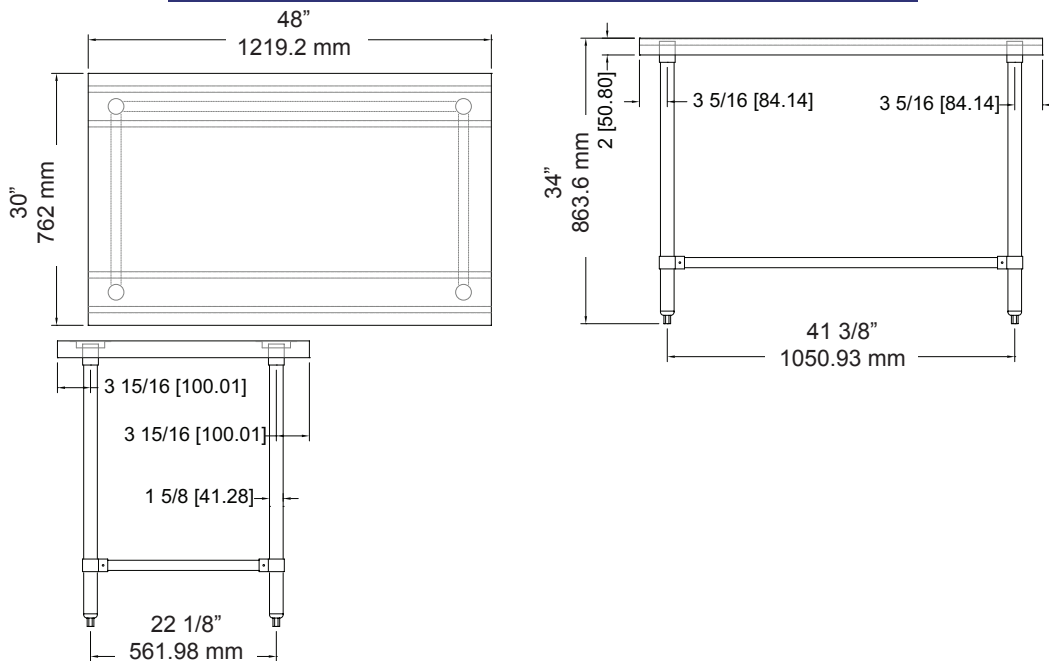


- 18 Gauge. 430 Stainless steel Flat top shelf
- 118 Gauge galvanized hat channel, galvanized leg and socket, galvanized "U" shape leg brace with aluminum socket
- Plastic bullet feet

## TECHNICAL SPECIFICATIONS

ITEM	<b>28633</b>
DESCRIPTION	30"x48" Stainless Steel Worktable
CAPACITY	700 lbs.
OVER-ALL DIMENSIONS (DWH)	30" x 48" x 34" 762 x 1219.2 x 863.6 mm
GROSS DIMENSIONS	50" x 32" x 3" 1270 x 812.8 x 76.2 mm
GROSS WEIGHT	57 lbs.

## TECHNICAL DRAWINGS WITH DETAILED DIMENSIONS



## OMCAN INC.

Telephone: 1-800-465-0234

Fax: (905) 607-0234

Email: [sales@omcan.com](mailto:sales@omcan.com)

Website: [www.omcan.com](http://www.omcan.com)



Follow us to keep up to date with the latest news and offers



2018.E.O.E

# TABLES AND SINKS

30" x 60" x 34" STAINLESS STEEL WORKTABLE

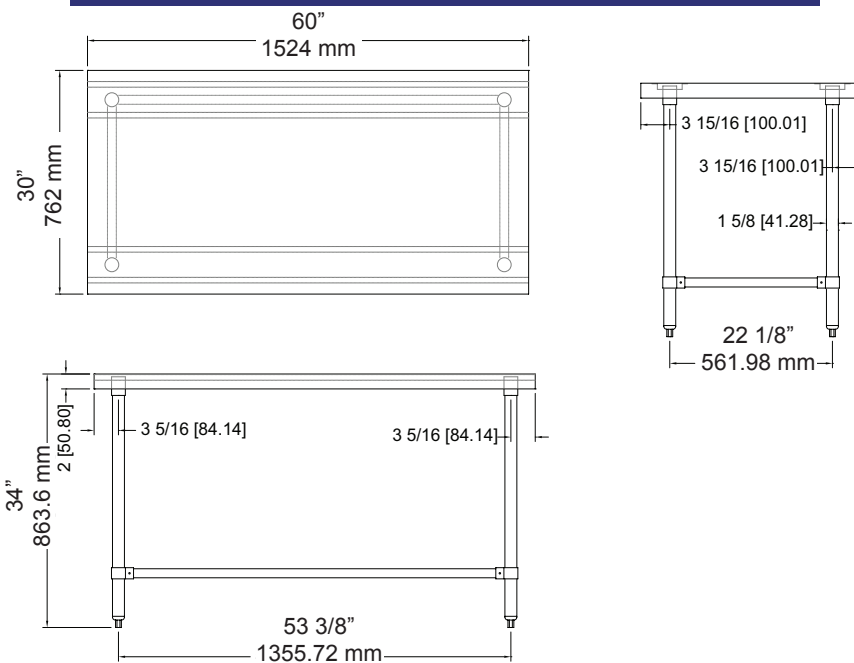


- 18 Gauge. 430 Stainless steel Flat top shelf
- 118 Gauge galvanized hat channel, galvanized leg and socket, galvanized "U" shape leg brace with aluminum socket
- Plastic bullet feet

## TECHNICAL SPECIFICATIONS

ITEM	28634
DESCRIPTION	30" x 60" Stainless Steel Worktable
CAPACITY	800 lbs.
OVER-ALL DIMENSIONS (DWH)	30" x 48" x 34" 762 x 1219.2 x 863.6 mm
GROSS DIMENSIONS	60" x 32" x 3" 1524 x 812.8 x 76.2 mm
GROSS WEIGHT	60 lbs.

## TECHNICAL DRAWINGS WITH DETAILED DIMENSIONS



## OMCAN INC.

Telephone: 1-800-465-0234  
 Fax: (905) 607-0234  
 Email: sales@omcan.com  
 Website: www.omcan.com



Follow us to keep up to date with the latest news and offers





# TABLES AND SINKS

30" x 72" x 34" STAINLESS STEEL WORKTABLE

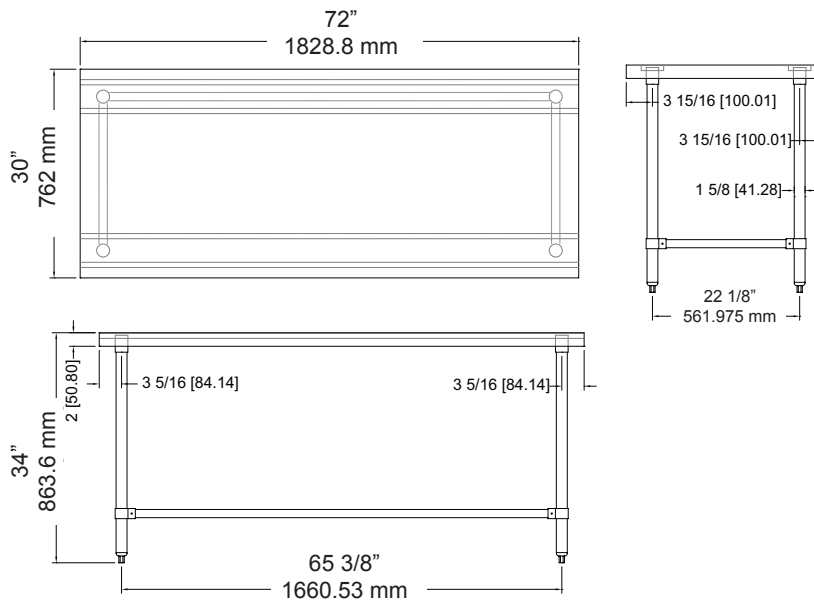


- 18 Gauge. 430 Stainless steel Flat top shelf
- 118 Gauge galvanized hat channel, galvanized leg and socket, galvanized "U" shape leg brace with aluminum socket
- Plastic bullet feet

## TECHNICAL SPECIFICATIONS

ITEM	<b>28635</b>
DESCRIPTION	30"x72" Stainless Steel Worktable
CAPACITY	900 lbs.
OVER-ALL DIMENSIONS (DWH)	30" x 72" x 34" 762 x 1828.8 x 863.6 mm
GROSS DIMENSIONS	74" x 32" x 3" 1879.6 x 812.8 x 76.2 mm
GROSS WEIGHT	73 lbs.

## TECHNICAL DRAWINGS WITH DETAILED DIMENSIONS



## OMCAN INC.

Telephone: 1-800-465-0234  
 Fax: (905) 607-0234  
 Email: sales@omcan.com  
 Website: www.omcan.com



Follow us to keep up to date with the latest news and offers



2018.E.O.E