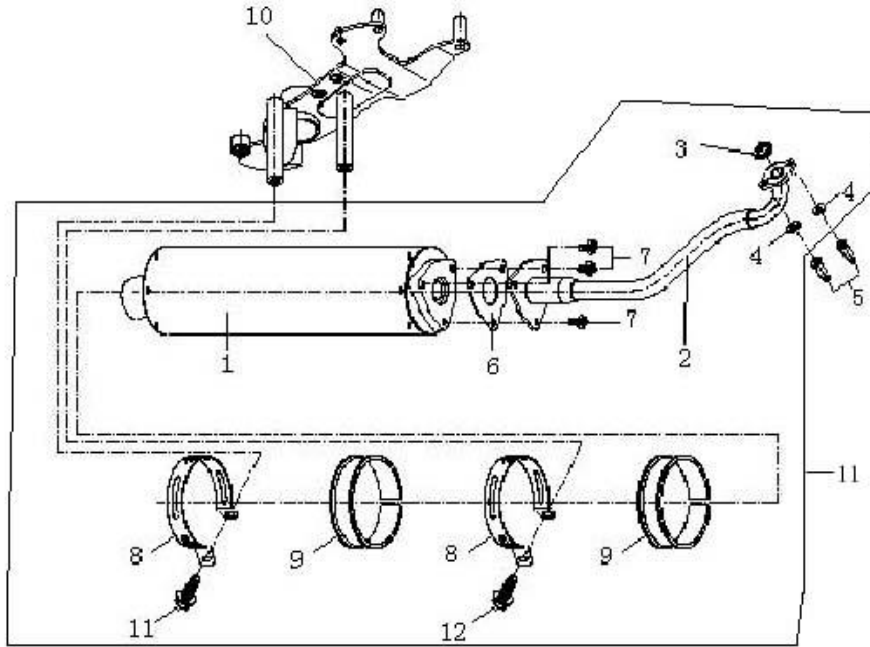


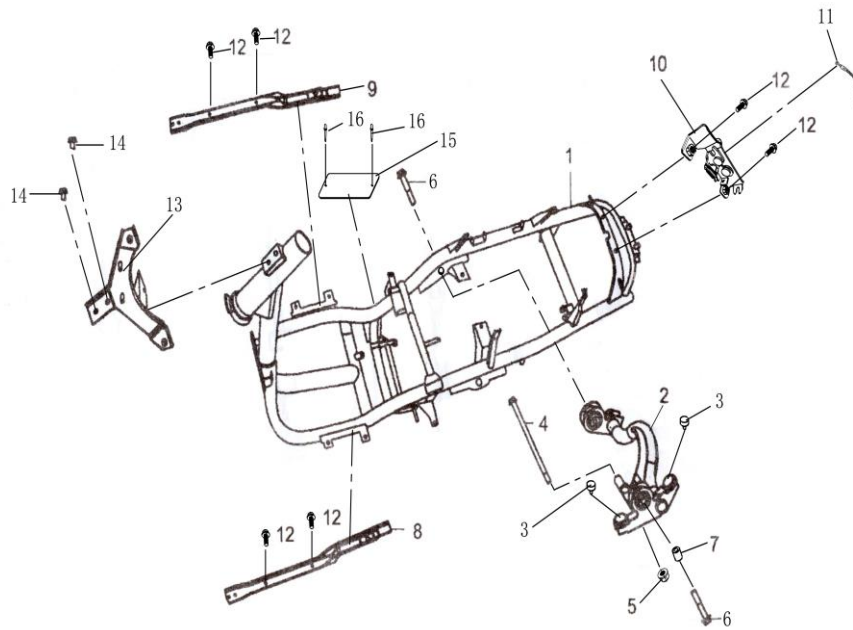
LB50QT-12 PARTS CATALOGUE

图 1		Model	LB50QT-12
Draft 1		Part No.	F-01



NO.	Part NO.	Chinese Name	Description	QTY
1	PMZ150-3C-A-001	消声器筒体	Pipe, Exhaust Muffler	1
2	PMZ150-3C-A-002	消声器弯管	Front Tube, Exhaust Muffler	1
3	PMZ150-3C-A-003	消声器密封圈	Seal Washer, Exhaust Muffler	1
4	PMZ150-3C-A-004	盖型螺母M6×32	Cap Nut, M6×32	2
5	PMZ150-3C-A-005	消声器密封垫	Seal Washer, Exhaust Muffler	1
7	PMZ150-3C-A-006	六角法兰面螺栓M8×16	Flange Bolt, M8×16	3
8	PMZ150-3C-A-007	消声器安装卡箍	Fixing Ring, Exhaust Muffler	2
9	PMZ150-3C-A-008	消声器安装卡箍橡胶条	Rubber Strip, Exhaust Muffler Fixing Ring	2
10	PMZ150-3C-A-009	排气消声器连接板组合	Connecting Plate Comp, Exhaust Muffler	1
12	PMZ150-3C-A-010	六角法兰面螺栓M8×25	Flange Bolt, M8×25	2

图 2		Model	LB50QT-12
Draft 2		Part No.	F-02

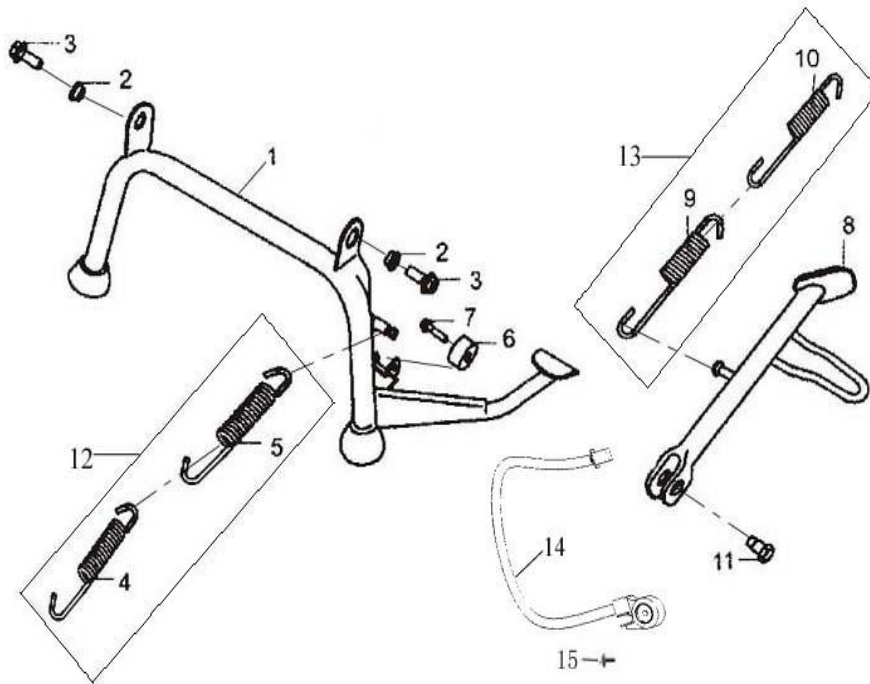


NO.	Part NO.	Chinese Name	Description	QTY
1	PMZ150-3C-B-001	车架焊接总成	Frame welding assy.	1
2	PMZ150-3C-B-002	发动机吊架	Engine Mount	1
3	PMZ150-3C-B-003	发动机吊架缓冲橡胶	Cushioning Rubber, Engine Mount	2
4	PMZ150-3C-B-004	发动机悬挂轴M10×1.25×280	Engine Mount Axis, M10×1.25×280	1
5	PMZ150-3C-B-005	全金属六角法兰面锁紧螺母	Flange Lock Nut, M10	1
6	PMZ150-3C-B-006	六角法兰面螺栓M10×55	Flange Bolt, M10×55	2
7	PMZ150-3C-B-007	发动机吊架衬套φ 11×φ 18×6	Collar, Engine Mount φ 11×φ 18×6	2
8	PMZ150-3C-B-008	脚踏板左支架	L. Side Holder, Pedal	1
9	PMZ150-3C-B-009	脚踏板右支架	R. Side Holder, Pedal	1
10	PMZ150-3C-B-010	座垫锁座组件	Seat Lock Comp	1
11	PMZ150-3C-B-011	座垫锁拉索	Cable, Seat Lock	1
12	PMZ150-3C-B-012	六角法兰面螺栓M6×12	Flange Bolt, M6×12	6
13	PMZ150-3C-B-013	前照灯支架组合	Holder, Headlight	1
14	PMZ150-3C-B-014	六角法兰面螺栓M8×12	Flange Bolt, M8×12	2
15	PMZ150-3C-B-015	车架铭牌	Statutory Inscription Plate,Frame	1
16	PMZ150-3C-B-016	开口型扁头抽芯铆钉3×5	Rivet, Statutory Inscription Plate	2
图 3			Model	LB50QT-12

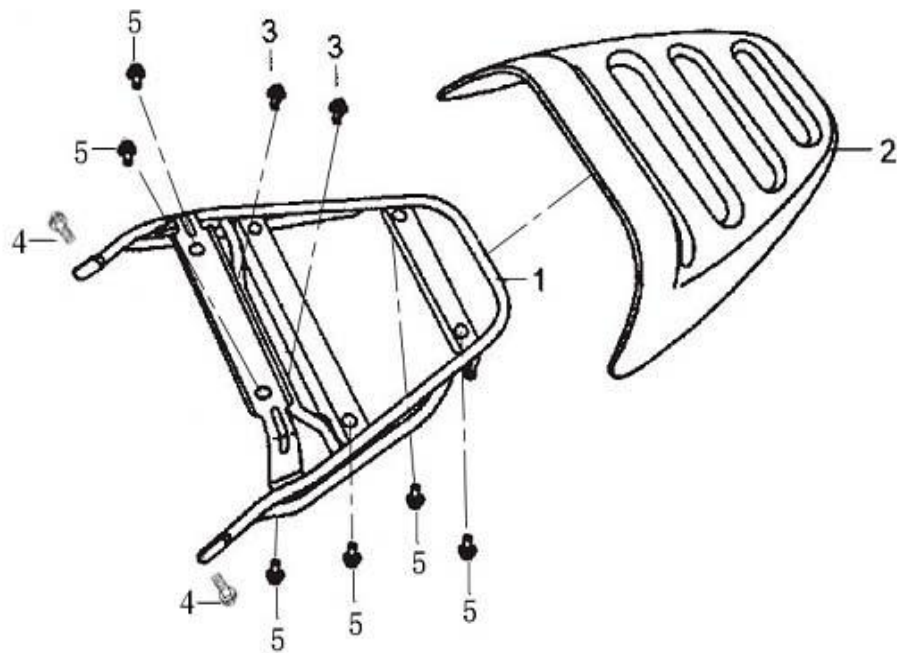
Draft 3

Part No.

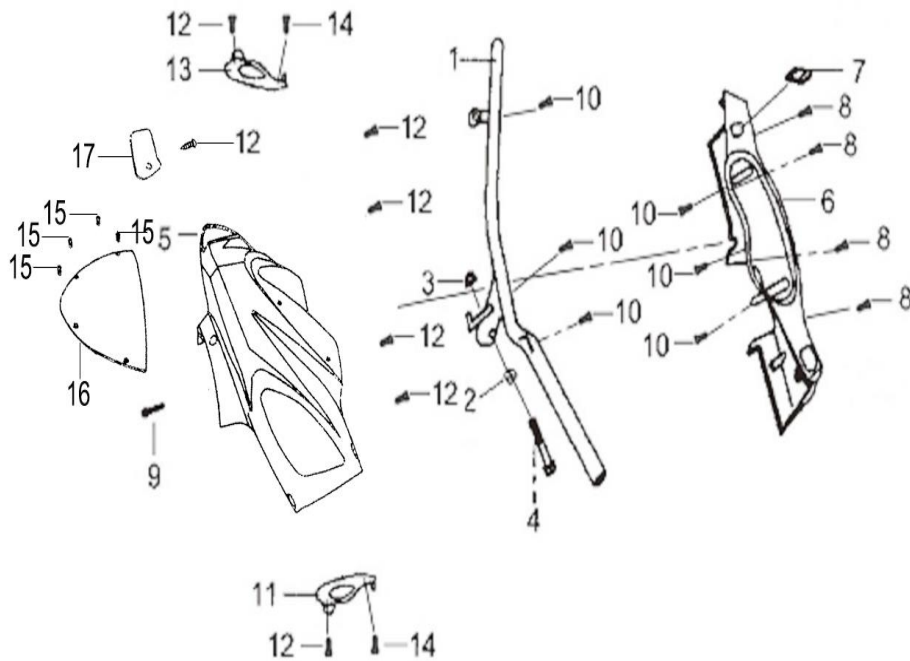
F-03



NO.	Part NO.	Chinese Name	Description	QTY
1	PMZ150-3C-C-001	主支架（双撑）	Main Stand Assy	1
2	PMZ150-3C-C-002	主支架衬套	T-Collar, Main Stand	2
3	PMZ150-3C-C-003	六角法兰面螺栓M10×25	Flange Bolt, M10×25	2
4	PMZ150-3C-C-004	主支架回位内弹簧	Inner Spring, Main Stand	1
5	PMZ150-3C-C-005	主支架回位外弹簧	Outer Spring, Main Stand	1
6	PMZ150-3C-C-006	主支架限位胶垫	Retainer Rubber, Main Stand	1
7	PMZ150-3C-C-007	六角法兰面螺栓M6×25	Flange Bolt, M6×25	1
8	PMZ150-3C-C-008	侧支架（单撑）	Side Stand Assy	1
9	PMZ150-3C-C-009	侧支架回位外弹簧	Outer Spring, Side Stand	1
10	PMZ150-3C-C-010	侧支架回位内弹簧	Inner Spring, Side Stand	1
11	PMZ150-3C-C-011	侧支架螺栓	Bolt, Side Stand	1
12	PMZ150-3C-C-012	主支架回位弹簧组件	Side Spring Comp, Main Sta	1
13	PMZ150-3C-C-013	侧支架回位弹簧组件	Side Spring Comp, Side Sta	1
14	PMZ150-3C-C-014	侧支架熄火开关	flameout switch	1
15	PMZ150-3C-C-015	六角法兰面螺栓M6×16	Screw, M6×16	1
图 4			Model	LB50QT-12
Draft 4			Part No.	F-04

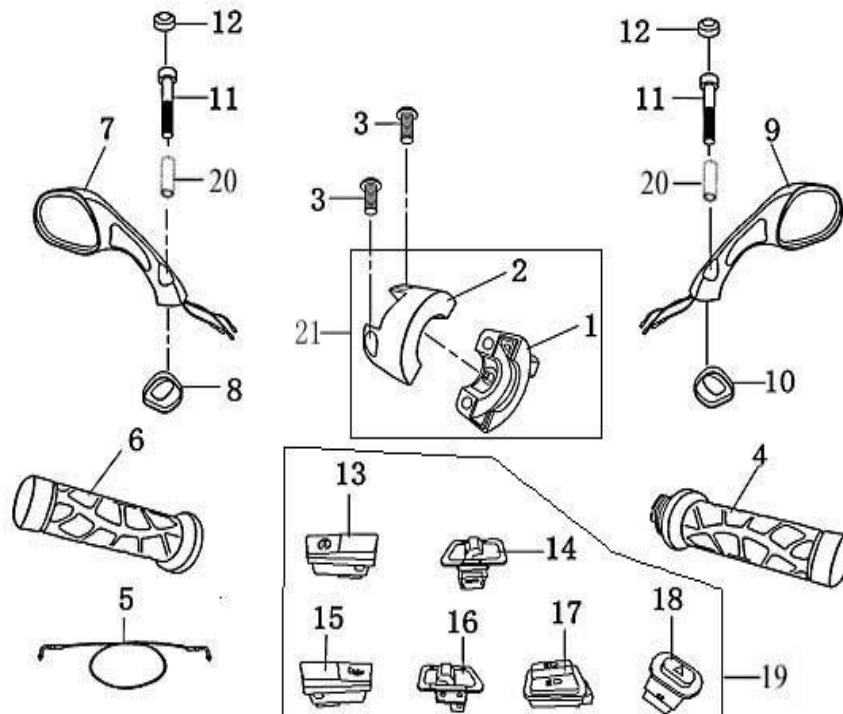


NO.	Part NO.	Chinese Name	Description	QTY
1	PMZ150-3C-D-001	后货架焊接组合	Baggage Rack welding assy	1
2	PMZ150-3C-D-002	后货架外罩	Cover,Baggage Rack	1
3	PMZ150-3C-D-003	六角法兰面螺栓M6×16	Flange Bolt,M6×16	2
4	PMZ150-3C-D-004	六角法兰面螺栓M8×12	Flange Bolt,M8×12	2
5	PMZ150-3C-D-005	六角法兰面螺栓M6×12	Flange Bolt,M6×12	6
图 5			Model	LB50QT-12
Draft 5			Part No.	F-05



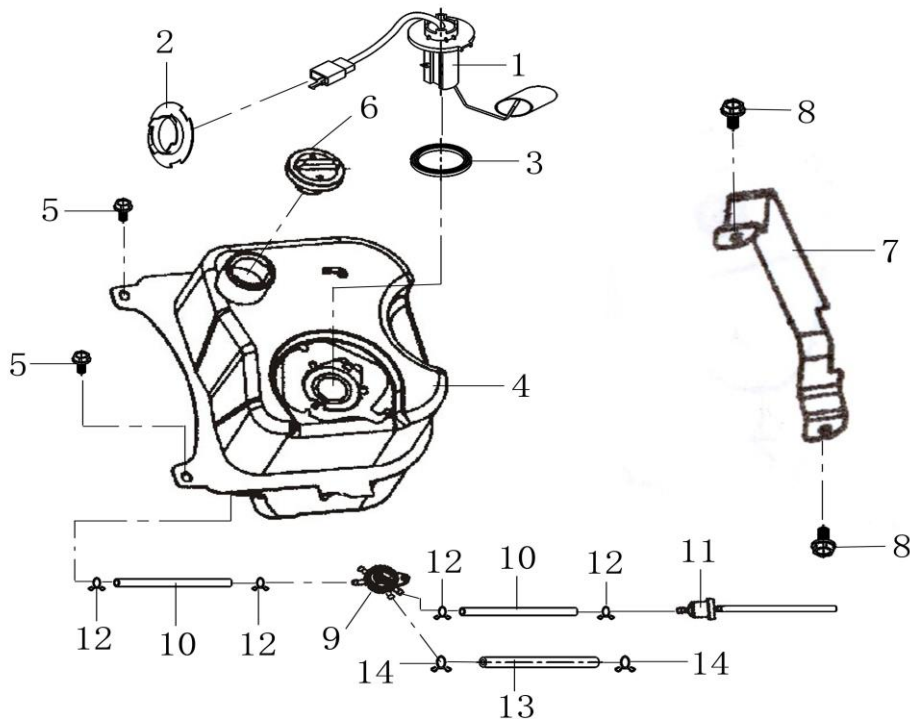
NO.	Part NO.	Chinese Name	Description	QTY
1	PMZ150-3C-E-001	方向把焊接组合	Steeling Handle welding Comp	1
2	PMZ150-3C-E-002	方向把锁紧衬套	Lock Collar,Handle	1
3	PMZ150-3C-E-003	全金属六角法兰面锁紧螺母	Flange Lock Nut, M10	1
4	PMZ150-3C-E-004	六角法兰面螺栓M10×50	Flange Bolt, M10×50	1
5	PMZ150-3C-E-005	方向把前罩	Handle Front Cover	1
6	PMZ150-3C-E-006	仪表护罩	Meter Case	1
7	PMZ150-3C-E-007	碟刹上泵护盖	Decorative Board ,Meter Case	1
8	PMZ150-3C-E-008	十字槽盘头自攻螺钉ST4.2	Tapping Screw, ST4.2×12	4
9	PMZ150-3C-E-009	十字槽盘头螺钉M5×25	Bolt, M5×25	1
10	PMZ150-3C-E-010	十字槽盘头自攻螺钉ST4.8	Tapping Screw, ST4.8×16	6
11	PMZ150-3C-E-011	左手柄护罩	Cover, L. Handlebar	1
12	PMZ150-3C-E-012	十字槽盘头自攻螺钉ST4.8	Tapping Screw, ST4.2×12	7
13	PMZ150-3C-E-013	右手柄护罩	Cover, R. Handlebar	1
14	PMZ150-3C-E-014	十字槽盘头自攻螺钉ST4.2	Tapping Screw, ST4.2×12	2
15	PMZ150-3C-E-015	膨胀螺钉	Screw	4
16	PMZ150-3C-E-016	前挡风板	Front Windshield	1
17	PMZ150-3C-E-017	碟刹上泵护盖	Decorative Board ,Meter Case, R	1

图 6		Model	LB50QT-12
Draft 6		Part No.	F-06



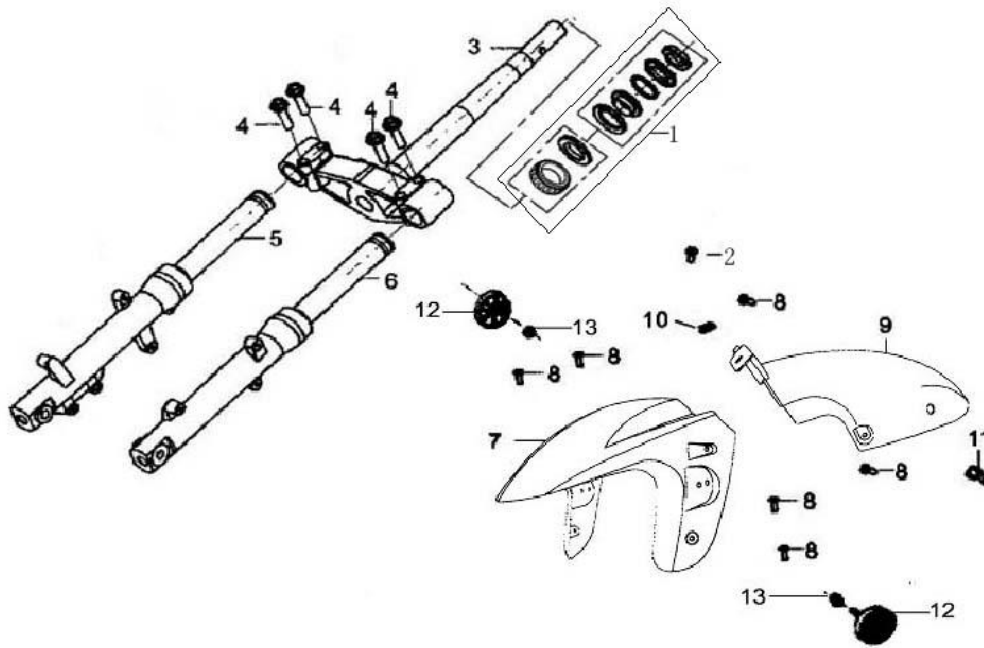
NO.	Part NO.	Chinese Name	Description	QTY
1	PMZ150-3C-F-001	油门拉索座上盖	Upper Cover,Throttle Cable	1
2	PMZ150-3C-F-002	油门拉索座下盖	Bottom Cover, Throttle Cable	1
3	PMZ150-3C-F-003	十字槽盘头螺钉M5×30	Screw, M5×30	2
4	PMZ150-3C-F-004	油门握把组合	Grip, R. Handle(Throttle Control)	1
5	PMZ150-3C-F-005	油门拉索组合	Throttle Cable Assy	1
6	PMZ150-3C-F-006	左握把	Grip, L. Handle	1
7	PMZ150-3C-F-007	左后视镜	Rear View Mirror, L.	1
8	PMZ150-3C-F-008	左后视镜支承胶垫	Rubber Cover, L. Rear View Mirror	1
9	PMZ150-3C-F-009	右后视镜	Rear View Mirror, R.	1
10	PMZ150-3C-F-010	右后视镜支承胶垫	Rubber Cover, R. Rear View Mirror	1
11	PMZ150-3C-F-011	内六角圆柱头螺钉M8×45	Inner Hex Bolt, M8×45	2
12	PMZ150-3C-F-012	后视镜安装胶垫	Fixing Rubber Cover, Rear View Mirror	2
13	PMZ150-3C-F-013	起动开关组件	Electric Start Switch Comp	1
14	PMZ150-3C-F-014	照明灯开关组件	Headlight Switch Comp	1
15	PMZ150-3C-F-015	喇叭开关组件	Horn Switch Comp	1

16	PMZ150-3C-F-016	转向灯开关组件	Turning Light Switch Comp	1
17	PMZ150-3C-F-017	远近光开关组件	Far and Near Light Switch Comp	1
18	PMZ150-3C-F-018	停车灯开关组件	Stopping Light Switch Comp	1
19	PMZ150-3C-F-019	开关组合		1
20	PMZ150-3C-F-020	后视镜安装衬套 $\phi 8-\phi 14*2$		2
21	PMZ150-3C-F-021	油门拉索座组件		1
图 7			Model	LB50QT-12
Draft 7			Part No.	F-07



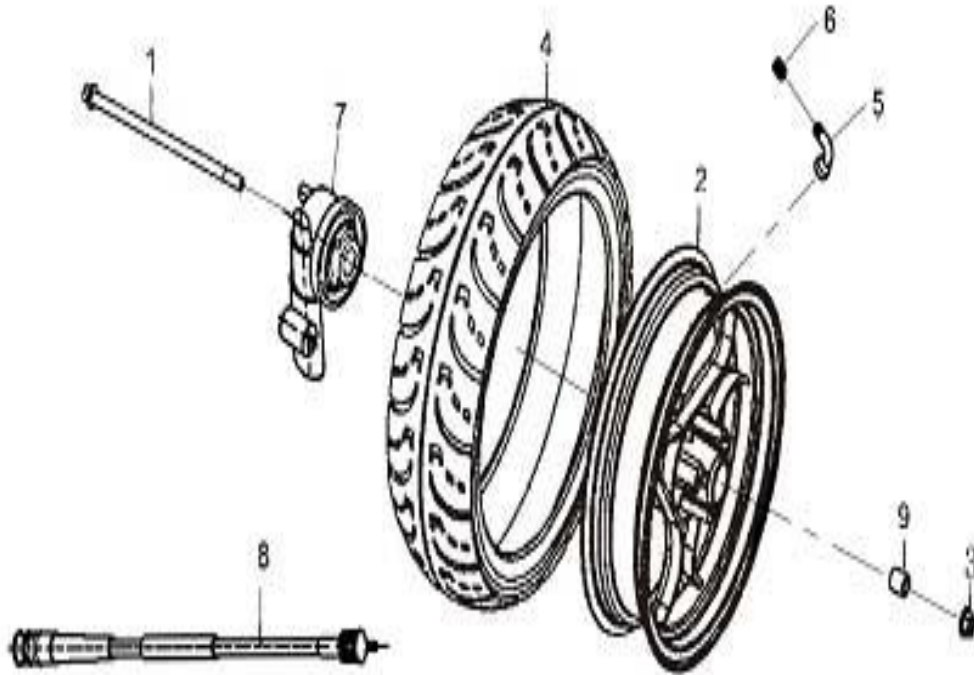
NO.	Part NO.	Chinese Name	Description	QTY
1	PMZ150-3C-G-001	燃油传感器	Fuel Level Sensor	1
2	PMZ150-3C-G-002	燃油传感器压板	Press Block, Fuel Level Sensor	1
3	PMZ150-3C-G-003	燃油传感器密封胶垫	Oil Seal Gasket ,Fuel Level Senso	1
4	PMZ150-3C-G-004	油箱焊接组合	Fuel Tank Welding Assy	1
5	PMZ150-3C-G-005	六角法兰面螺栓M6×12	Flange Bolt, M6×12	2
6	PMZ150-3C-G-006	油箱盖组合	Cap Assy, Fuel Tank	1
7	PMZ150-3C-G-007	油箱安装压板	Fixing Block, Fuel Tank	1
8	PMZ150-3C-G-008	六角法兰面螺栓M8×12	Flange Bolt, M8×12	2
9	PMZ150-3C-G-009	燃油开关	Fuel Switch	1

10	PMZ150-3C-G-010	油管 (II)	Fuel Tube (II)	2
11	PMZ150-3C-G-011	燃油过滤器组件	Fuel Filter Comp	1
12	PMZ150-3C-G-012	油管卡 II (B10)	Clip, Fuel Tube II (B10)	4
13	PMZ150-3C-G-013	油管 (III)	Fuel Tube (III)	1
14	PMZ150-3C-G-014	油管卡 I (B7)	Clip, Fuel Tube (B7)	2
图 8			Model	LB50QT-12
Draft 8			Part No.	F-08

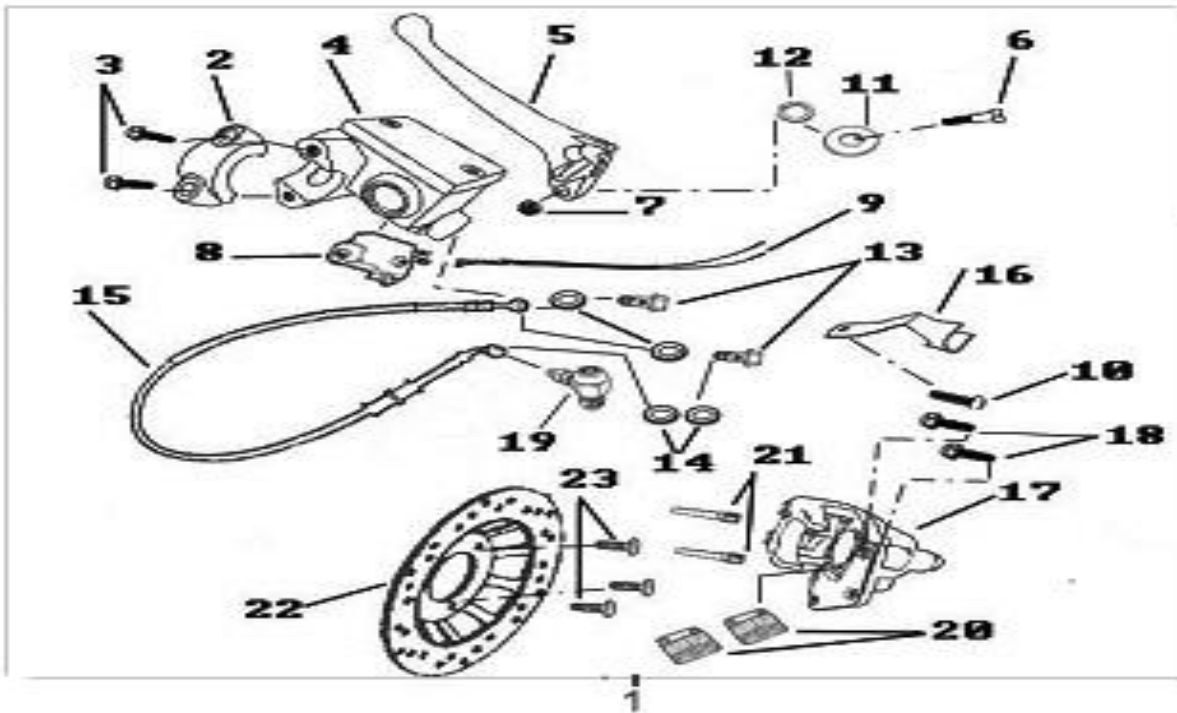


NO.	Part NO.	Chinese Name	Description	QTY
1	PMZ150-3C-H-001	方向轴承组件	Steel Ball Bowl Assy	1
2	PMZ150-3C-H-002	十字槽盘头螺钉M6×16	Screw, M6×12	1
3	PMZ150-3C-H-003	下联板	Lower Bridge Assy, Steer Stem	1
4	PMZ150-3C-H-004	六角法兰面螺栓M10×45	Flange Bolt, M10×45	4
5	PMZ150-3C-H-005	前左减震器	L. Front Shock Absorber	1
6	PMZ150-3C-H-006	前右减震器	R. Front Shock Absorber	1
7	PMZ150-3C-H-007	前挡泥板前体	Front Part, Front Fender	1
8	PMZ150-3C-H-008	十字槽小盘头螺钉M6×16	Screw, M6×12	6
9	PMZ150-3C-H-009	前挡泥板后体	Rear Part, Front Fender	1
10	PMZ150-3C-H-010	卡子螺母M6	Clamp Nut M6	1
11	PMZ150-3C-H-011	里程表软轴橡胶环	Rubber Clip, Meter Cable	1

12	PMZ150-3C-H-012	侧反射器	Side Reflector	2
13	PMZ150-3C-H-013	六角法兰面螺母 M6	Flange Nut, M6	2
Draft 9			Part No.	F-09

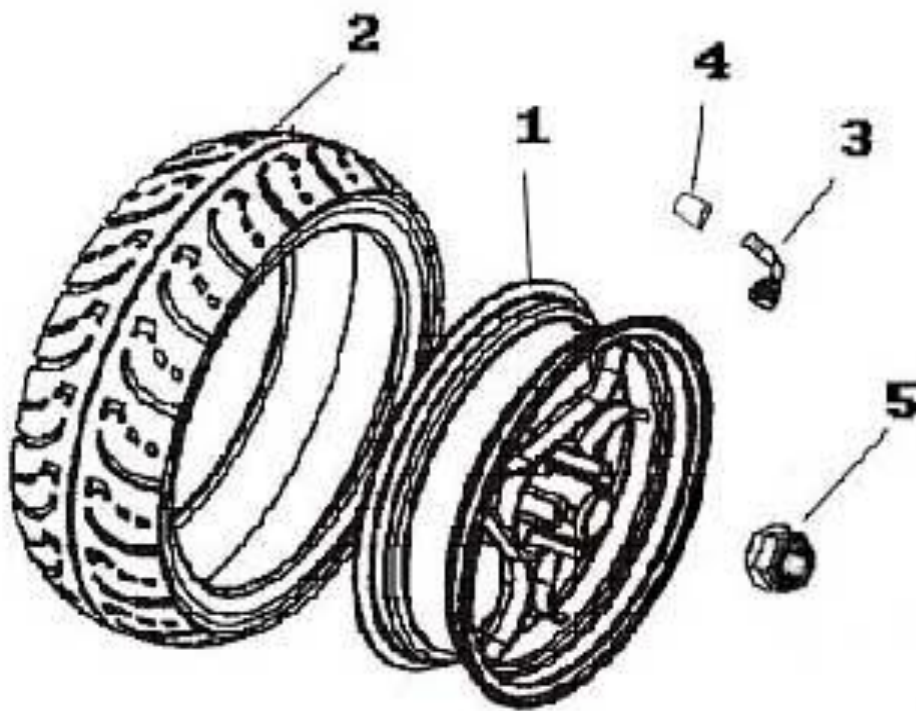


NO.	Part NO.	Chinese Name	Description	QTY
1	PMZ150-3C-I-001	前轮轴M12×252	Axle, Front Wheel,M12×252	1
2	PMZ150-3C-I-002	前轮毂组合	Rim, Front Wheel	1
3	PMZ150-3C-I-003	全金属六角法兰面锁紧螺母	Flange Lock Nut, M10	1
4	PMZ150-3C-I-004	前轮外胎	Tyre, Front Wheel 3.50-10	1
5	PMZ150-3C-I-005	气门嘴	Tubeless Valve	1
6	PMZ150-3C-I-006	气门嘴盖	Cap, Tubeless Valve	1
7	PMZ150-3C-I-007	速度计齿轮盒	Count Gear Box, Odometer	1
8	PMZ150-3C-I-008	里程表软轴组合	Cable Comp, Odometer	1
9	PMZ150-3C-I-009	前轮左衬套φ 12×φ 23×2	Collar, φ 12×φ 23×21	1
图 10			Model	LB50QT-12
Draft 10			Part No.	F-10

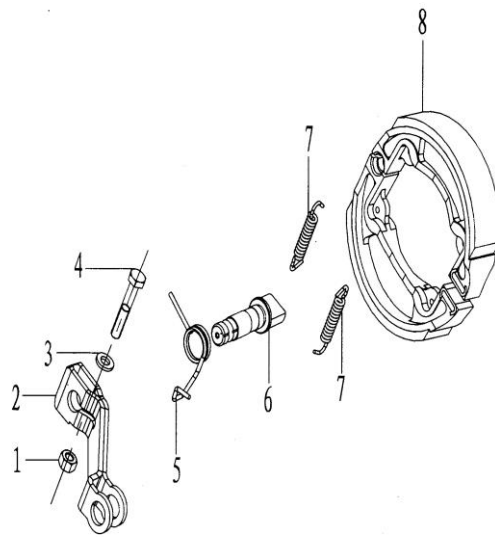


NO.	Part NO.	Chinese Name	Description	QTY
1	PMZ150-3C-J-001	前液压制动器总成	Front Hydraulic Brake System	1
2	PMZ150-3C-J-002	前液压制动主泵连接卡	Clip, Front Hydraulic Cylinder Main Comp	1
3	PMZ150-3C-J-003	六角法兰面螺栓M6×22	Flange Bolt, M6×22	2
4	PMZ150-3C-J-004	前制动主泵	Front Hydraulic Cylinder Main Pump	1
5	PMZ150-3C-J-005	前制动手柄	Lever, Right Handle	1
6	PMZ150-3C-J-006	手柄螺栓	Bolt, Front Brake Lever	1
7	PMZ150-3C-J-007	全金属六角法兰面锁紧螺母	Flange Lock Nut, M6	1
8	PMZ150-3C-J-008	前制动开关	Switch, Front Brake	1
9	PMZ150-3C-J-009	前制动开关线	Wire Cable, Front Brake Switch	1
10	PMZ150-3C-J-010	十字槽盘头螺钉M4×12	Screw, M4×12	1
11	PMZ150-3C-J-011	平垫圈4	Plain Washer, 4	1
12	PMZ150-3C-J-012	弹簧垫圈4	Spring Washer, 4	1
13	PMZ150-3C-J-013	制动油管连接螺栓	Connect Bolt, Hose, Front Brake	2
14	PMZ150-3C-J-014	铜垫圈 I	Copper Washer I	4
15	PMZ150-3C-J-015	前制动油管组合	Hydraulic Hose Comp, Front Brake	1
16	PMZ150-3C-J-016	前制动油管线夹 I	Clip, Front Hydraulic Hose I	1
17	PMZ150-3C-J-017	前制动分泵	Sub- Pump, Front Brake	1

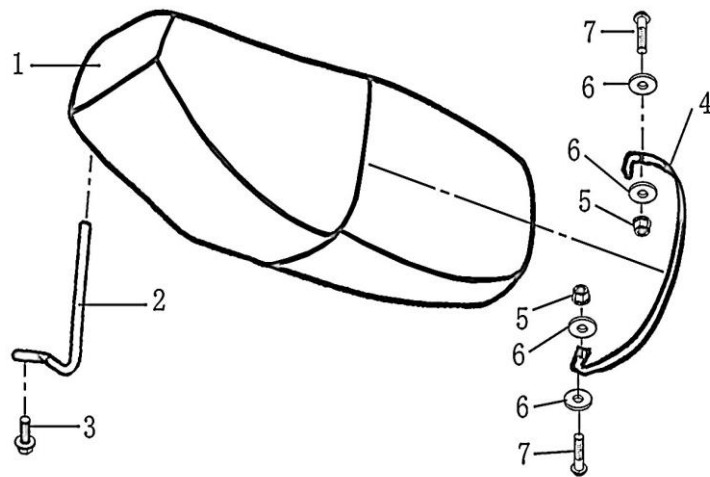
18	PMZ150-3C-J-018	六角法兰面螺栓M8×25	Flange Bolt, M8×25	2
19	PMZ150-3C-J-019	前制动防抱组合	ABS Assy	1
20	PMZ150-3C-J-020	前制动蹄片组件	Brake Plate Assy, Front Brake	1
21	PMZ150-3C-J-021	销轴螺栓套	Pin cover	2
22	PMZ150-3C-J-022	前制动盘	Brake Disc. Assy, Front Wheel	1
23	PMZ150-3C-J-023	内六角圆柱头螺钉M8×25	Inner Hex Bolt, M8×25	3
图 11			Model	LB50QT-12
Draft 11			Part No.	F-11



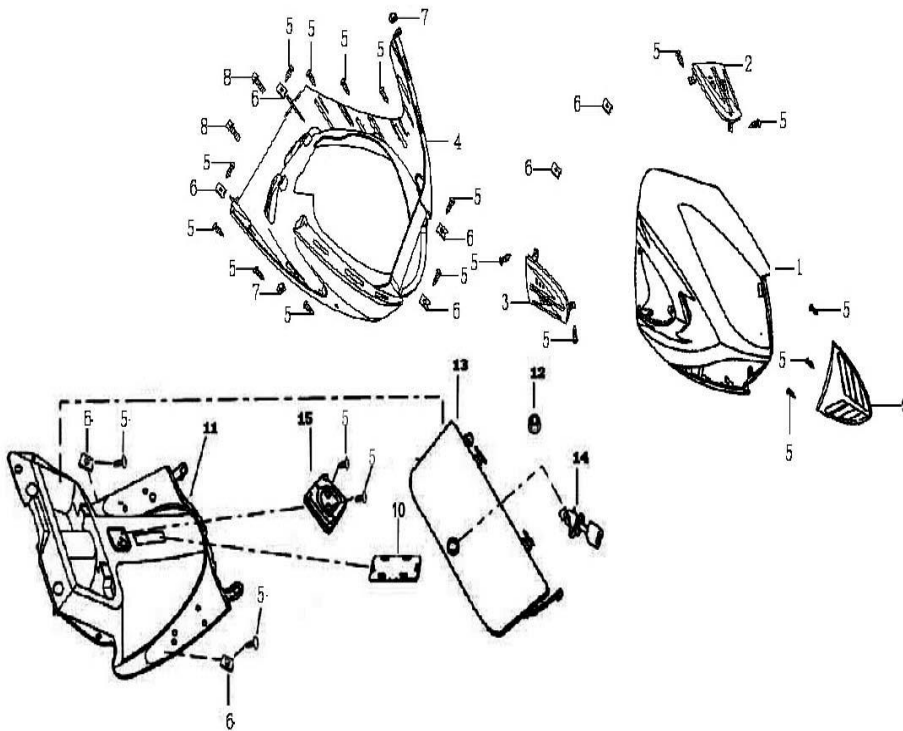
NO.	Part NO.	Chinese Name	Description	QTY
1	PMZ150-3C-K-001	后轮毂组合	Rim Comp, Rear Wheel	1
2	PMZ150-3C-K-002	后轮外胎	Outer Tyre, Rear Wheel 130/60-13	1
3	PMZ150-3C-K-003	气门嘴	Tubeless Valve	1
4	PMZ150-3C-K-004	气门嘴帽	Cap, Tubeless Valve	1
5	PMZ150-3C-K-005	全金属六角法兰面锁紧螺母	Flange Lock Nut, M16	1
图 12			Model	LB50QT-12
Draft 12			Part No.	F-12



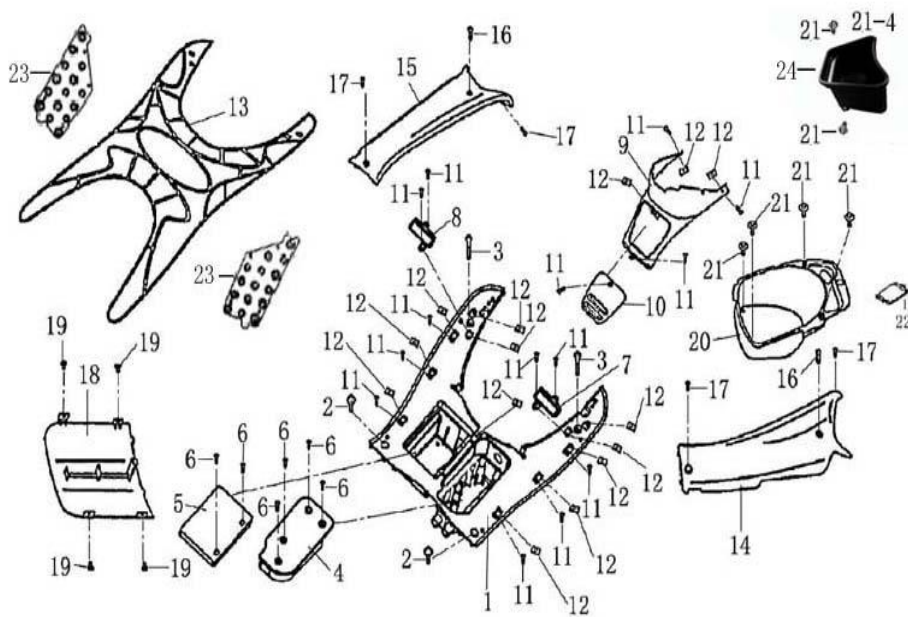
NO.	Part NO.	Chinese Name	Description		QTY
1	PMZ150-3C-L-001	六角法兰面螺母M6	Flange Nut, M6	Flange Nut, M6	1
2	PMZ150-3C-L-002	后制动摇臂	Rr brake rocker	Rr brake rocker arm	1
3	PMZ150-3C-L-003	平垫圈6	Plain Washer, 6	Plain Washer, 6	1
4	PMZ150-3C-L-004	六角法兰面螺栓M6×35	×35	Flange Bolt, M6×35	1
5	PMZ150-3C-L-005	后制动摇臂回位弹簧	Spring,Rear	Returning Spring,Rear Brake	1
6	PMZ150-3C-L-006	后制动摇臂轴	Brake Rocker	Axis,Rear Brake Rocker	1
7	PMZ150-3C-L-007	后制动蹄块回位弹簧	Spring,Rear	Returning Spring,Rear Brake	2
8	PMZ150-3C-L-008	后制动蹄块组件	Shoe Comp	Rear Brake Shoe Comp	1
图 13			Model	LB50QT-12	
Draft 13			Part No.	F-13	



NO.	Part NO.	Chinese Name	Description	QTY
1	PMZ150-3C-M-001	座垫总成	Seat Assy	1
2	PMZ150-3C-M-002	座垫前连接销	Front Axle Pin, Seat	1
3	PMZ150-3C-M-003	六角法兰面螺栓螺栓M6×16	Flange Bolt, M6×16	1
4	PMZ150-3C-M-004	座垫拉带	Seat Decorating Belt	1
5	PMZ150-3C-M-005	六角法兰面螺母M6	Flange Nut, M6	2
6	PMZ150-3C-M-006	平垫圈6	Plain Washer,6	4
7	PMZ150-3C-M-007	十字槽盘头螺钉M6×22	Screw, M6×22	2
图 14			Model	LB50QT-12
Draft 14			Part No.	F-14

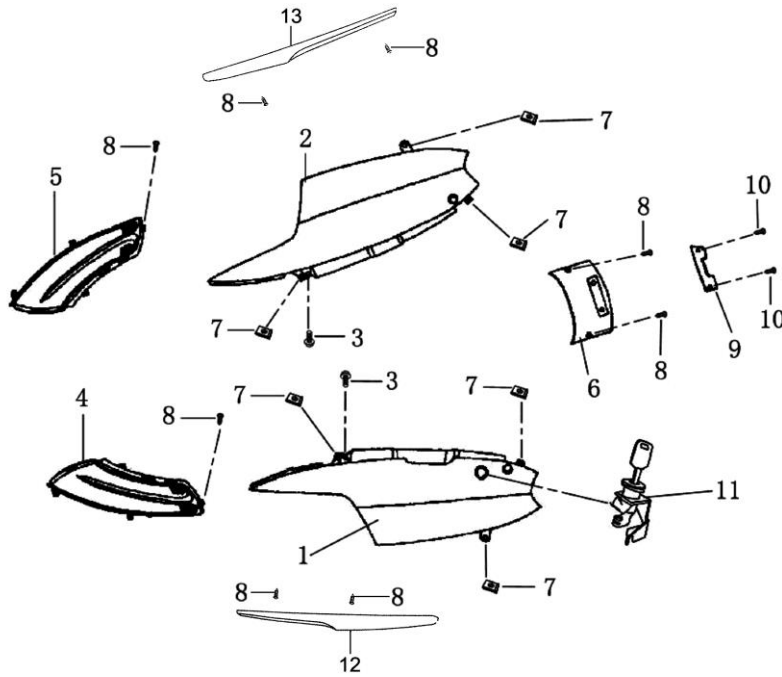


NO.	Part NO.	Chinese Name	Description	QTY
1	PMZ150-3C-N-001	前面罩	Front Cover	1
2	PMZ150-3C-N-002	前面罩左通风罩	Left Intake Fender,Front Cover	1
3	PMZ150-3C-N-003	前面罩右通风罩	Right Intake Fender,Front Cover	1
4	PMZ150-3C-N-004	前护板	Front Shield Cover	1
5	PMZ150-3C-N-005	十字槽盘头自攻螺钉ST4.8	Tapping Screw, ST4.8×16	21
6	PMZ150-3C-N-006	簧片螺母ST4.8	Clamp , ST4.8	8
7	PMZ150-3C-N-007	六角法兰面螺母M6	Flange Nut, M6	2
8	PMZ150-3C-N-008	六角法兰面螺栓M6×25	Flange Bolt, M6×25	2
9	PMZ150-3C-N-009	前面罩装饰板	Decorate Fender Front Cover	1
10	PMZ150-3C-N-010	车架号盖板	Cover, Chassis No.	1
11	PMZ150-3C-N-011	前置物箱	Front Luggage Carrier	1
12	PMZ150-3C-N-012	六角法兰面螺母M6	Flange Nut, M6	1
13	PMZ150-3C-N-013	前置物箱盖	Cover, Front Luggage Carrier	1
14	PMZ150-3C-N-014	前置物箱锁	Lock Assy, Front Luggage Carrier	1
15	PMZ150-3C-N-015	头盔挂钩	Hook, Helmet	1
图 15			Model	LB50QT-12
Draft 15			Part No.	F-15



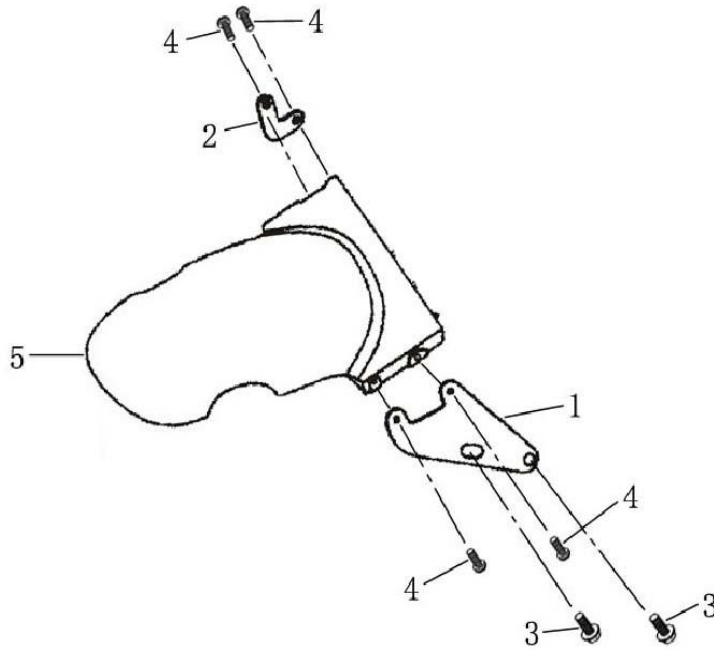
NO.	Part NO.	Chinese Name	Description	QTY
1	PMZ150-3C-O-001	脚踏板	Footrest Base Panel	1
2	PMZ150-3C-O-002	台阶螺栓 I M6×16	Step Bolt, M6×16	2
3	PMZ150-3C-O-003	六角法兰面螺栓M6×40	Flange Bolt, M6×40	2
4	PMZ150-3C-O-004	左仓盖	Cover, L. Case	1
5	PMZ150-3C-O-005	蓄电池盒盖	Cover, Battery	1
6	PMZ150-3C-O-006	十字槽盘头自攻螺钉ST4.8	TappingScrew, ST4.8×12	6
7	PMZ150-3C-O-007	后左搁脚踏板	L. Small Rear Footrest Panel	1
8	PMZ150-3C-O-008	后右搁脚踏板	R. Small Rear Footrest Panel	1
9	PMZ150-3C-O-009	后置物箱前护罩	Front Cover, Luggage Cabinet	1
10	PMZ150-3C-O-010	后置物箱前护罩盖板	Cap, Front Cover, Luggage Cabinet	1
11	PMZ150-3C-O-011	十字槽盘头自攻螺钉ST4.8	Tapping Screw, ST4.8×16	14
12	PMZ150-3C-O-012	簧片螺母ST4.8	Clamp, 4.8	14
13	PMZ150-3C-O-013	脚踏板胶板	Rubber Mat, Footrest Base Panel	1
14	PMZ150-3C-O-014	中左边条	Left Side Cover	1
15	PMZ150-3C-O-015	中右边条	Right Side Cover	1
16	PMZ150-3C-O-016	六角法兰面螺栓M6×12	Screw, M6×12	2
17	PMZ150-3C-O-017	十字槽盘头自攻螺钉ST4.8	Tapping Screw, ST4.8×12	4
18	PMZ150-3C-O-018	车架挡泥板	Fender, Frame	1

19	PMZ150-3C-O-019	六角法兰面螺栓M6×12	Flange Bolt, M6×12	4	
20	PMZ150-3C-O-020	后置物箱	Rear Luggage Cabinet	1	
21	PMZ150-3C-O-021	六角法兰面螺栓M6×16	Screw , M6×16	7	
22	PMZ150-3C-O-022	后置物箱盖	Rear Luggage Cabinet cover	1	
23	PMZ150-3C-O-023	脚踏板铝板	,L	Rear Footrest ,L	0
24	PMZ150-3C-O-024	中置物箱	,L		1
图 16			Model	LB50QT-12	
Draft 16			Part No.	F-16	

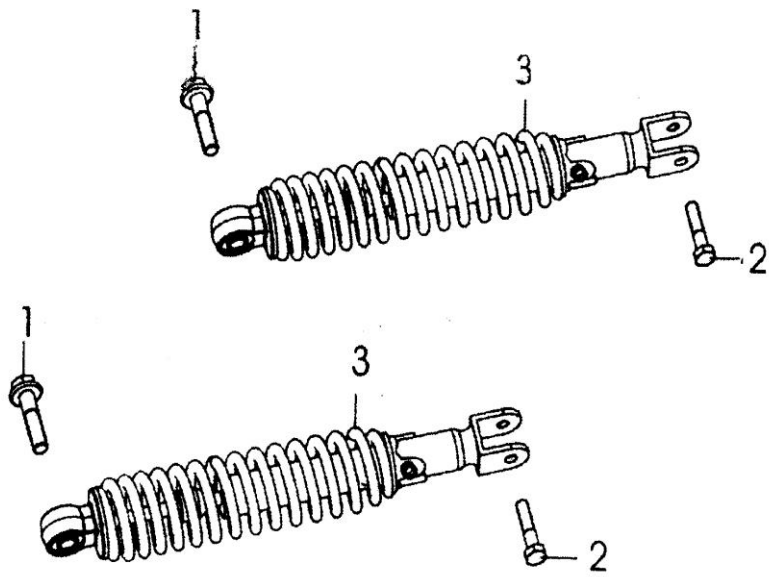


NO.	Part NO.	Chinese Name	Description	QTY
1	PMZ150-3C-P-001	左后围板	L.Rear Beseting Cover	1
2	PMZ150-3C-P-002	右后围板	R. Rear Beseting Cover	1
3	PMZ150-3C-P-003	六角法兰面螺栓M6×16	Flange Bolt, M6×16	2
4	PMZ150-3C-P-004	后围板左连接板	L.Connected Plate,Rear Beseting Cover	1
5	PMZ150-3C-P-005	后围板右连接板	R.Connected Plate,Rear Beseting Cover	1
6	PMZ150-3C-P-006	后中连接板	Rear Central Connected Cover	1
7	PMZ150-3C-P-007	簧片螺母ST4.8	Clamp, 4.8	6
8	PMZ150-3C-P-008	十字槽盘头自攻螺钉ST4.8	Tapping Screw, ST4.8×12	8
9	PMZ150-3C-P-009	后中连接板护板	Shield,Rear Central Connected Cover	1

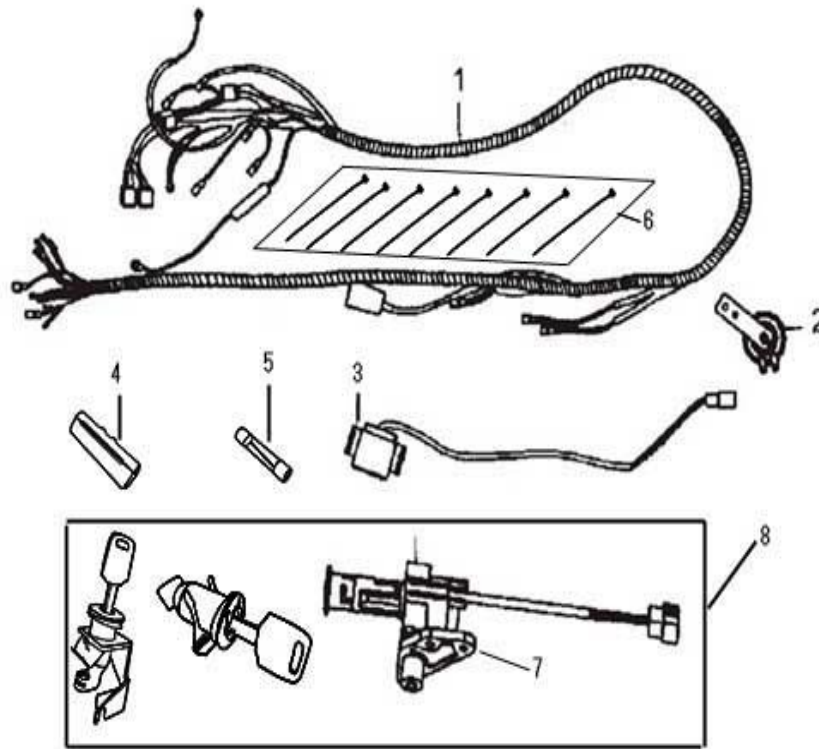
10	PMZ150-3C-P-010	十字槽盘头自攻螺钉ST4.8	Tapping Screw, ST4.8×16	2
11	PMZ150-3C-P-011	座垫锁	Lock Assy, Seat	1
12	PMZ150-3C-P-012	左后围板护板	Shield Cover,L. Rear Beseting Cover	1
13	PMZ150-3C-P-013	右后围板护板		1
图 17			Model	LB50QT-12
Draft 17			Part No.	F-17



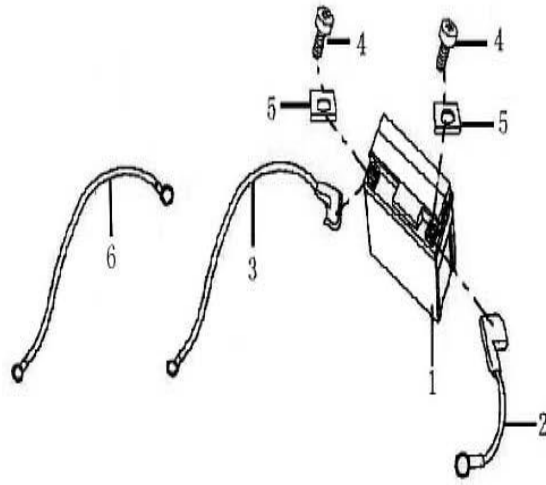
NO.	Part NO.	Chinese Name	Description	QTY
1	PMZ150-3C-Q-001	后轮泥板右支架	Right Bracket, Rear Wheel fender	1
2	PMZ150-3C-Q-002	后轮泥板左支架	Left Bracket, Rear Wheel fender	1
3	PMZ150-3C-Q-003	六角法兰面螺栓M8×16	Flange Bolt, M8×16	2
4	PMZ150-3C-Q-004	六角法兰面螺栓M6×16	Flange Bolt, M6×16	4
5	PMZ150-3C-Q-005	后轮泥板	Rear fender, Rear Wheel	1
图 18			Model	LB50QT-12
Draft 18			Part No.	F-18



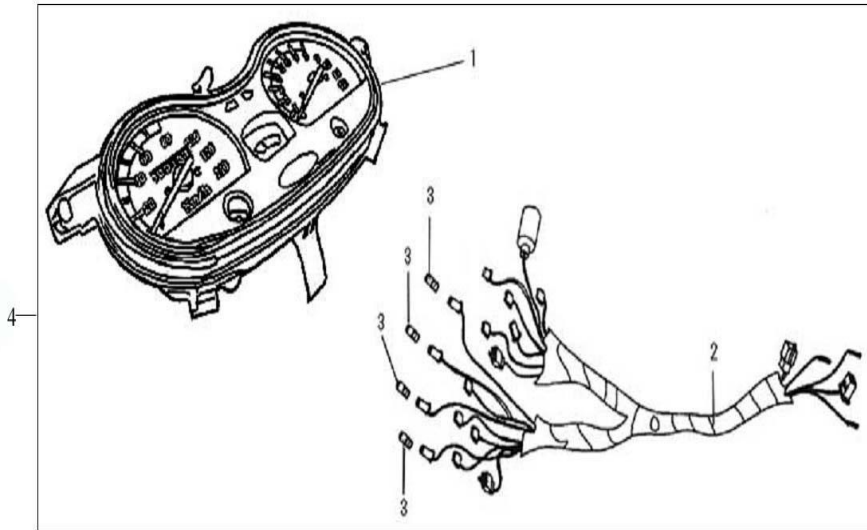
NO.	Part NO.	Chinese Name	Description	QTY
1	PMZ150-3C-R-001	六角法兰面螺栓M10×40	Flange Bolt, M10×40	2
2	PMZ150-3C-R-002	六角头螺栓M8×32	Hex Bolt, M8×32	2
3	PMZ150-3C-R-003	后减震器总成	Rear Shock Absorber Assy	2
图 19			Model	LB50QT-12
Draft 19			Part No.	F-19



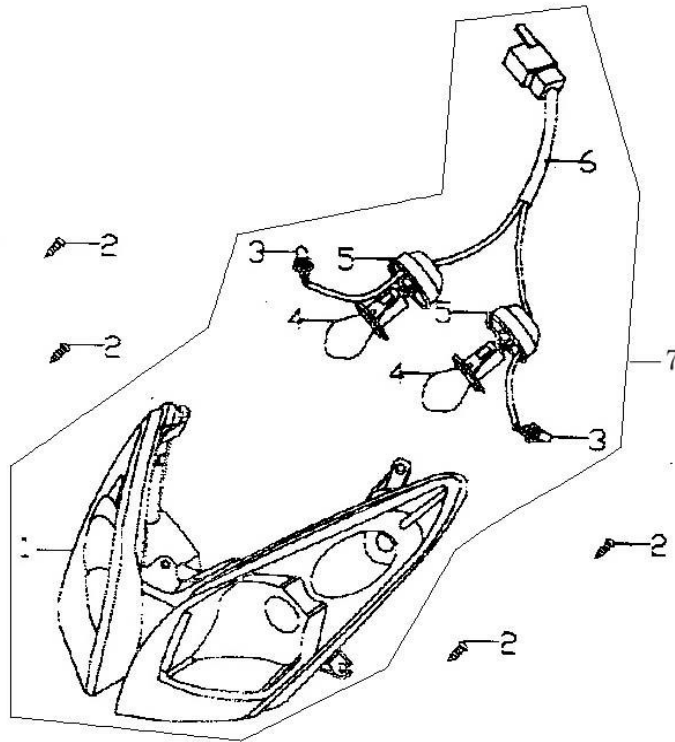
NO.	Part NO.	Chinese Name	Description	QTY
1	PMZ150-3C-S-001	主电缆	Wire Harness	1
2	PMZ150-3C-S-002	喇叭	Horn	1
3	PMZ150-3C-S-003	闪光继电器	Winker Relay	1
4	PMZ150-3C-S-004	保险管盒	Fuse Box	1
5	PMZ150-3C-S-005	保险管	Fuse 7A	2
6	PMZ150-3C-S-006	扎带	Strip Set	8
7	PMZ150-3C-S-007	方向锁	Steering Lock	1
8	PMZ150-3C-S-008	锁具总成	Lock Assy.	1
图 20			Model	LB50QT-12
Draft 20			Part No.	F-20



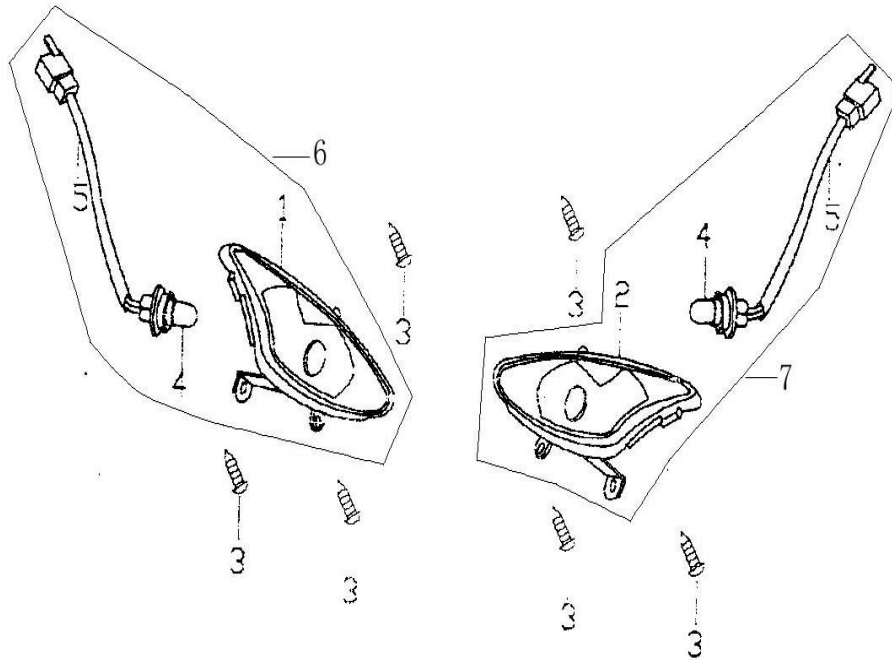
NO.	Part NO.	Chinese Name	Description	QTY
1	PMZ150-3C-T-001	蓄电池12V7Ah	Battery 12V7Ah	1
2	PMZ150-3C-T-002	蓄电池正极线	Anode Cable,Battery	1
3	PMZ150-3C-T-003	搭铁线（ I ）	Cable, Grounding（ I ）	1
4	PMZ150-3C-T-004	十字槽凹穴六角头螺栓M6	Bolt, M6×10	2
5	PMZ150-3C-T-005	蓄电池方螺母	Block Nut	2
6	PMZ150-3C-T-006	搭铁线（ II ）	Cable, Grounding（ II ）	1
图 21			Model	LB50QT-12
Draft 21			Part No.	F-21



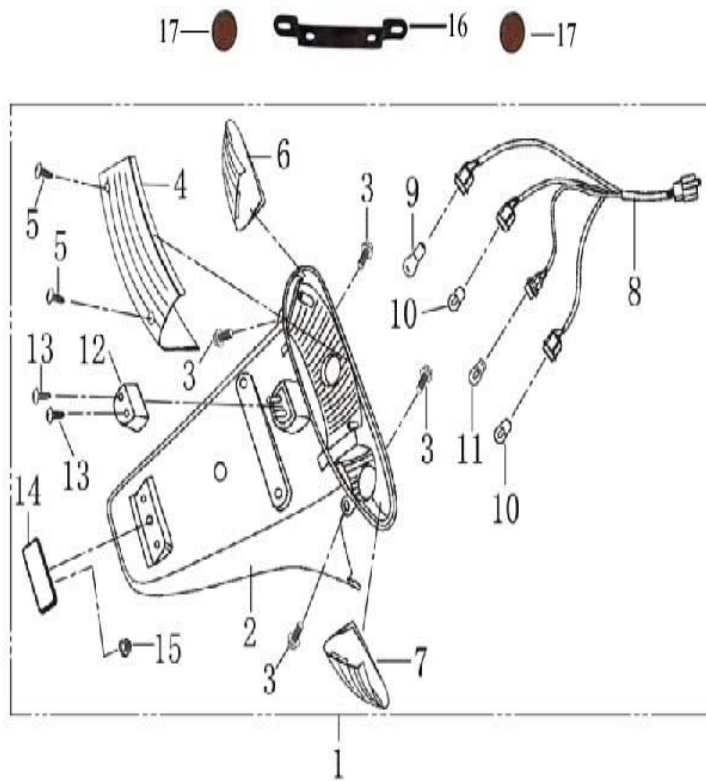
NO.	Part NO.	Chinese Name	Description	QTY
1	PMZ150-3C-U-001	里程表		1
2	PMZ150-3C-U-002	仪表电缆	Wire Cable, Meter	1
3	PMZ150-3C-U-003	仪表灯泡12V3W	Bulb, Meter Light 12V3W	4
4	PMZ150-3C-U-004	仪表总成	Meter Assy	1
图 22			Model	LB50QT-12
Draft 22			Part No.	F-22



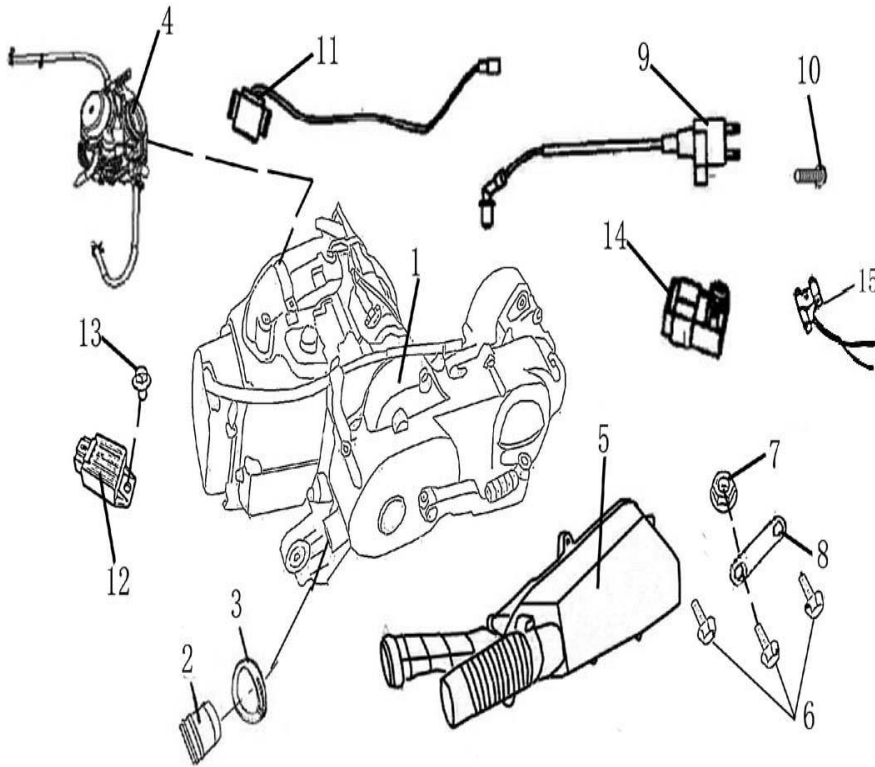
NO.	Part NO.	Chinese Name	Description	QTY
1	PMZ150-3C-V-001	前照灯灯壳组件	Headlight Comp	1
2	PMZ150-3C-V-002	十字槽盘头自攻螺钉ST4.2	Tapping Screw, ST4.2×12	4
3	PMZ150-3C-V-003	前位置灯灯泡12V5W	Bulb, Position Light 12V 5W	2
4	PMZ150-3C-V-004	前照灯灯泡12V35/35W	Bulb, Headlight 12V35/35W	2
5	PMZ150-3C-V-005	前照灯防尘圈	Dustproof Rubber Cover,Headlight	2
6	PMZ150-3C-V-006	导线组件	Wire Cable	1
7	PMZ150-3C-V-007	前照灯总成	Headlight Assy	1
图 23			Model	LB50QT-12
Draft 23			Part No.	F-23



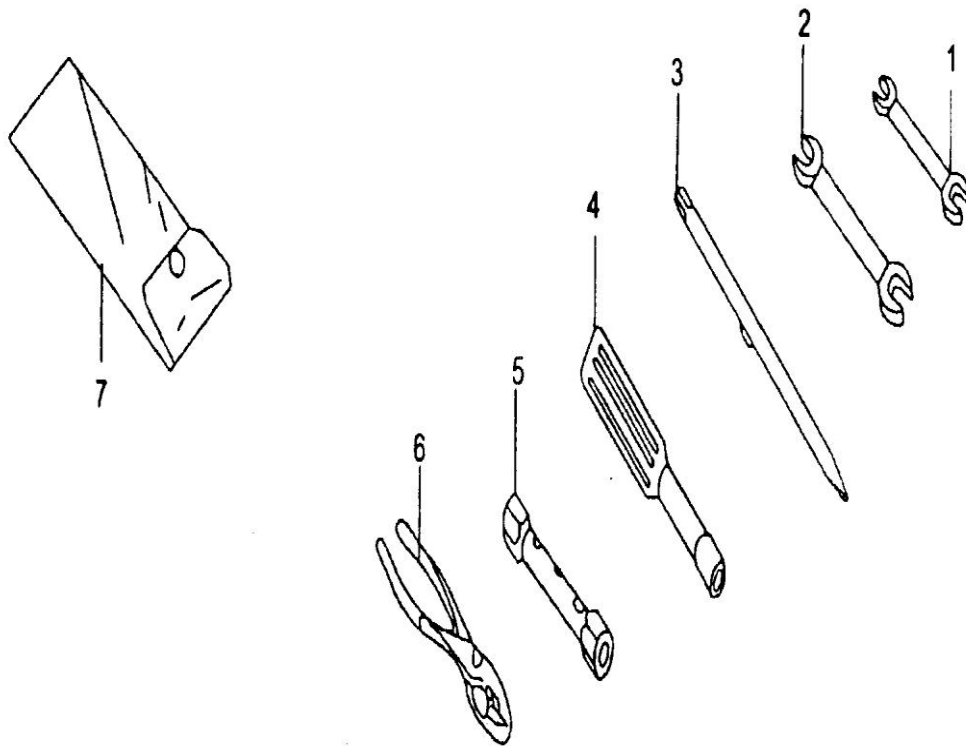
NO.	Part NO.	Chinese Name	Description	QTY
1	PMZ150-3C-W-001	前右转向灯灯壳	R. Front Turning Light Assy	1
2	PMZ150-3C-W-002	前左转向灯灯壳	L. Front Turning Light Assy	1
3	PMZ150-3C-W-003	十字槽盘头自攻螺钉ST4.2	Tapping Screw, ST4.2×12	6
4	PMZ150-3C-W-004	转向灯灯泡12V10W	Bulb, Front Turning Light 12V10W	2
5	PMZ150-3C-W-005	前转向灯灯线	Wire Cable, Front Turning Light	2
6	PMZ150-3C-W-006	前右转向灯	R. Front Turning Light Assy	1
7	PMZ150-3C-W-007	前左转向灯	L. Front Turning Light Assy	1
图 24			Model	LB50QT-12
Draft 24			Part No.	F-24



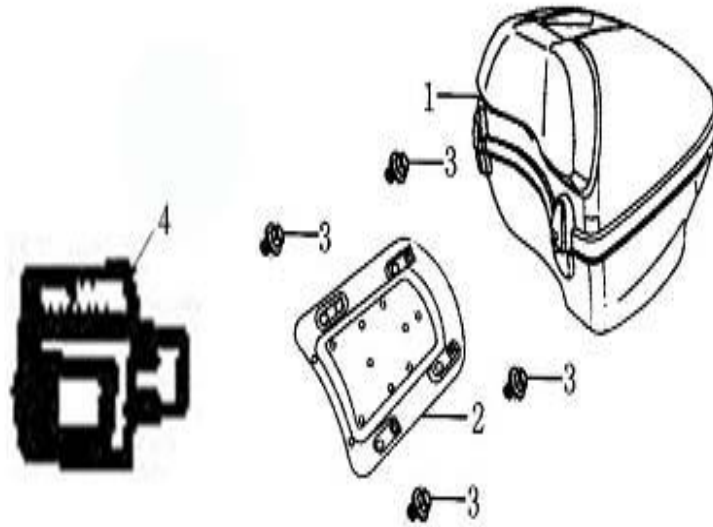
NO.	Part NO.	Chinese Name	Description	QTY
1	PMZ150-3C-X-001	尾灯总成	Taillight Assy	1
2	PMZ150-3C-X-002	后挡泥板	Rear Fender	1
3	PMZ150-3C-X-003	六角法兰面螺栓M6×12	Flange Bolt, M6×12	4
4	PMZ150-3C-X-004	尾灯罩	Lens, Taillight	1
5	PMZ150-3C-X-005	十字槽盘头自攻螺钉ST4.2	Tapping Screw, ST4.2×16	2
6	PMZ150-3C-X-006	后左转向灯灯罩	Lens, L. Rear Turning Light	1
7	PMZ150-3C-X-007	后右转向灯灯罩	Lens, R. Rear Turning Light	1
8	PMZ150-3C-X-008	尾灯线组件	Wire Cable, Taillight	1
9	PMZ150-3C-X-009	尾灯灯泡12V5W/21W	Bulb, Rear Light(12V/5w/21w)	1
10	PMZ150-3C-X-010	后转向灯灯泡12V10W	Bulb, L. & R. Turning Light (12V,10w)	2
11	PMZ150-3C-X-011	牌照灯灯泡12V5W	Bulb, Rear Registration Plate Light12V5W	1
12	PMZ150-3C-X-012	牌照灯灯罩	Lens, Rear Registration Plate Light	1
13	PMZ150-3C-X-013	十字槽盘头自攻螺钉ST4.2	Tapping Screw, ST4.2×12	2
14	PMZ150-3C-X-014	后反射器	Rear Retro Reflecting Device	1
15	PMZ150-3C-X-015	六角法兰面锁紧螺母M5	Flange Nut, M5	1
16	PMZ150-3C-X-016	后牌照支架	Bracket,Taillight lens	1
17	PMZ150-3C-X-017	侧反射器		2
图 25			Model	LB50QT-12



NO.	Part NO.	Chinese Name	Description		QTY
1	PMZ150-3C-Y-001	发动机	Engine	Engine	1
2	PMZ150-3C-Y-002	吸风管	Tube	Tube	1
3	PMZ150-3C-Y-003	吸风管卡箍	Ring Comp I	Ring Comp I ,Air Cleaner	1
4	PMZ150-3C-Y-004	化油器总成	Carburetor Assy	Carburetor Assy	1
5	PMZ150-3C-Y-005	空气滤清器总成	Assy	Air Cleaner Assy	1
6	PMZ150-3C-Y-006	六角法兰面螺栓M6×25	Bolt, M6×25	Bolt, M6×25	3
7	PMZ150-3C-Y-007	六角法兰面螺母M6	Bolt, M6	Bolt, M6	1
8	PMZ150-3C-Y-008	空滤器安装板	Connecting	Fi×ing Connecting Plate	1
9	PMZ150-3C-Y-009	点火线圈	Assy	Ignition Coil Assy	1
10	PMZ150-3C-Y-010	十字槽盘头螺钉M6×35	Screw, M6×35	Screw, M6×35	1
11	PMZ150-3C-Y-011	起动继电器	Starter Relay	Starter Relay	1
12	PMZ150-3C-Y-012	调压整流器	Rectifier	Rectifier	1
13	PMZ150-3C-Y-013	六角法兰面螺栓M6×12	Bolt, M6×12	Bolt, M6×12	1
14	PMZ150-3C-Y-014	点火控制器	Ignition Control	Ignition Control	1
15	PMZ150-3C-Y-015	泄流电阻	Ignition Control	Discharge Resistance	1
图 26			Model	LB50QT-12	



NO.	Part NO.	Chinese Name	Description	QTY
1	PMZ150-3C-Z-001	呆扳手8×10	Double Ended Spanner 8-10	1
2	PMZ150-3C-Z-002	呆扳手12×14	Double Ended Spanner 12-14	1
3	PMZ150-3C-Z-003	双头螺丝刀	Double Ended Screw Driver	1
4	PMZ150-3C-Z-004	螺丝刀把	Screw Driver Socket	1
5	PMZ150-3C-Z-005	火花塞套筒	Spark Plug Socket	1
6	PMZ150-3C-Z-006	鲤鱼钳	Carp Pincers	1
7	PMZ150-3C-Z-007	工具袋组合	Tools Bag	1



NO.	Part NO.	Chinese Name	Description	QTY
1	PMZ150-3C-AA-001	尾箱	Tail Tank	1
2	PMZ150-3C-AA-002	尾箱支架	Bracket, Tail Tank	1
3	PMZ150-3C-AA-003	六角法兰面螺栓M6×16	Flange Bolt, M6×16	4
4	PMZ150-3C-AA-004	闪光继电器	Winker starting comp relay	1